

S8VK power supplies

Reliable and easy operation – worldwide



- The most compact design on the market
- Resistant in tough environments
- Easy and fast installation



Compact power supplies...

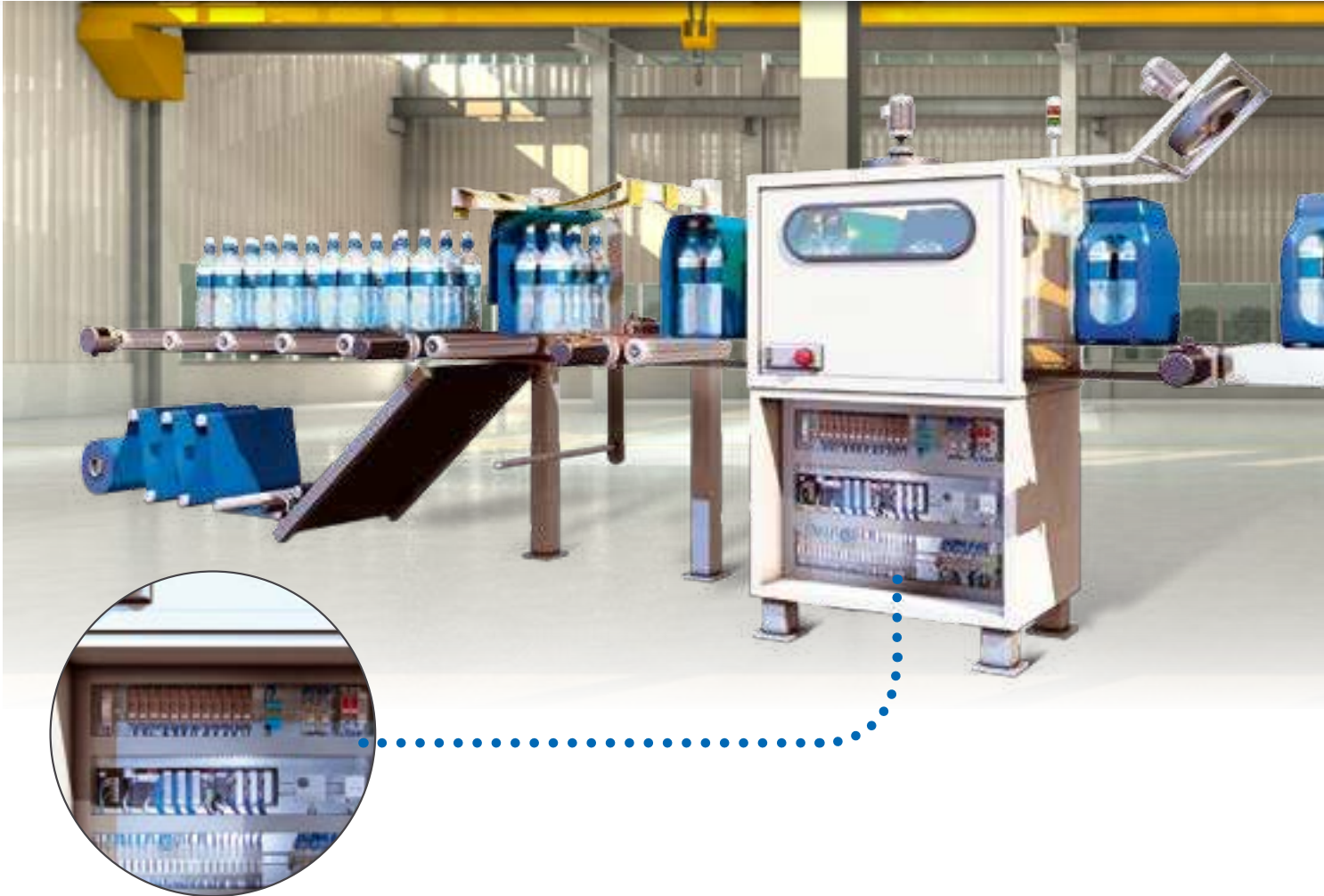
Omron has developed a new and exciting family of compact power supplies. With the same high quality and practical design that made our previous series safe, reliable, and easy to install, the new S8VK series is even tougher, more compact and easier to use. Omron is a world leader in the development and manufacture of industrial power supplies. We launched our first compact product,

the S82K, in 1987 and our S8VS compact series has been an automatic choice with customers since 2002.

To ensure that we provide the perfect solution to match every customer's need, Omron has launched 3 different families: the cost effective S8VK-C, the standard S8VK-G/S8VK-T and the top of the range S8VK-R (redundancy unit).



...that make a world of difference!



Three compelling reasons why the S8VK is the right power supply for you:

Resistant in tough environments

Omron is confident that the quality of the S8VK will exceed your highest expectations. Its robust design and construction withstand the harshest environments and provide stable operation over a wide operating temperature range. Because of high MTBF figures, your S8VK power supply will keep running when others fail.

Easy and fast installation

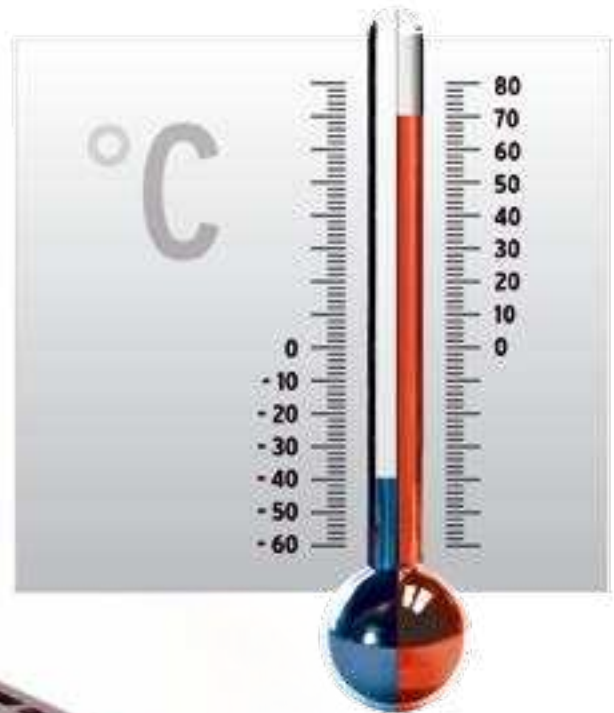
The S8VK series not only offers you greater flexibility when designing your machine, it also saves you time and reduces costs thanks to the minimal wiring requirements and easy one-handed mounting provided by the enhanced DIN-rail mounting clip.

The most compact design on the market

Designed with space saving in mind, the S8VK series is our most compact power supply range ever and the most compact available on today's market.

Resistant to tough environments

Wherever the S8VK is installed, it will give the same reliable performance for the duration of its service life. The wide operating temperature range of between -40 to +70°C guarantees stable operation in any environment where other power supplies may be found lacking. But its robust design advantages don't end there because the S8VK also offers high resistance to the vibration transmitted by machinery in close proximity, this is due to the vibration-resistant DIN-rail mounting clip.



Easy and fast installation

Making your life easier

Look no further than the aspect of installation for an example of the attention to detail that we have gone to in developing a product that will help to make your life easier. Simply click onto a standard DIN rail using one hand to mount in a flash. Effortless and time saving! In addition, the S8VK features a double set of DC output terminals (three for the negative terminal), which means you also spend less time and effort on wiring.



Long-life guaranteed

Designed to international safety standards for global markets, the S8VK even has approvals for marine applications and carries a full, across-the-board, warranty on all models no matter which country your machine is exported to! Because of high MTBF figures, the S8VK power supply will keep running when others fail.

The most compact design on the market

Designed with downsizing in mind

Omron knows that size is important for machine designers, which is why we have applied our exclusive thermal simulation software during the design of the S8VK. This gives a high power density in a compact package that is 13% smaller than comparable power supplies and the smallest on the market for its type. And the S8VK has an even sleeker exterior than any previous models.



Component view



Thermal view

The 361° Approach

The perfect match for your needs

To ensure that we have the perfect solution to match every need, Omron offers three different families:

- The cost effective S8VK-C Lite line with uncompromising quality.
- The standard S8VK-G/S8VK-T Pro Line, our “install & forget” option, offering longer lifetime, higher protection and more features.
- The top of the range S8VK-R Pro plus (redundancy unit) designed for specific applications and special demands.

Our new 361° Approach not only provides a complete all-round offering, it also puts you at the very centre of the product selection process. It’s an approach that leads to a Perfect Match – one with the extra degree of confidence that comes from choosing Omron.

Featuring	LITE S8VK-C	PRO S8VK-G, S8VK-T	PROplus
Input	100-240VAC, 90-350VDC	100-240VAC, 90-350VDC, 3 x 380-480VAC	For high reliability redundancy system Features 1. Redundancy OK LED 2. Voltage balance supporter LED 3. Signal output for the status confirmation.
Operation Temperature	-25 to 60 °C	-40 to 70 °C	
EMI	EN 55011 Class A	EN 55011 Class B	
EN 61000-3-2	No	Yes	
Parallel Operation	No	Yes	
CE & Approvals	CE, EN 60950-1, EN 50178, cULus, cURus	CE, EN 60950-1, EN 50178, cULus, cURus, Lloyd's Resister	
Safety Standards	SELV (EN 60950-1/ EN 50178/ UL 60950-1) EN 50274 for Terminal parts.	SELV (EN 60950-1/ EN 50178) EN 50274 for Terminal parts. EN61558-2-16 PELV (EN60204-1)	
Additional features	No	Power Boost 120%	



Ordering information

S8VK-G series



Type	Power ratings	Input voltage	Output voltage	Output current	Size (W × H × D) [mm]	Order code
Power supply Single phase	15 W	100 to 240 VAC Allowable range: 85 to 264 VAC, 90 to 350 VDC, 2 phases less than 240 VAC	5 V	3 A	22.5 × 90 × 90	S8VK-G01505
			12 V	1.2 A		S8VK-G01512
			24 V	0.65 A		S8VK-G01524
	30 W		5 V	5 A	32 × 90 × 90	S8VK-G03005
			12 V	2.5 A		S8VK-G03012
			24 V	1.3 A		S8VK-G03024
	60 W		12 V	4.5 A	32 × 90 × 110	S8VK-G06012
			24 V	2.5 A		S8VK-G06024
	120 W		24 V	5 A	40 × 125 × 113	S8VK-G12024
	240 W		24 V	10 A	60 × 125 × 140	S8VK-G24024
			48 V	5 A		S8VK-G24048
	480 W		24 V	20 A	95 × 125 × 140	S8VK-G48024
			48 V	10 A		S8VK-G48048

S8VK-T series



Type	Power ratings	Input voltage	Output voltage	Output current	Size (W × H × D) [mm]	Order code
Power supply Three phase	120 W	3 × 380 to 480 VAC	24 V	5 A	40 × 125 × 113	S8VK-T12024
	240 W	2 × 380 to 480 VAC	24 V	10 A	60 × 125 × 140	S8VK-T24024
	480 W	450 to 600 VDC	24 V	20 A	95 × 125 × 140	S8VK-T48024
	960 W		24 V	40 A	135 × 125 × 170	S8VK-T96024

S8VK-C series



Type	Power ratings	Input voltage	Output voltage	Output current	Size (W × H × D) [mm]	Order code
Power supply Single phase	60 W	Single phase	24 V	2.5 A	32 × 90 × 110	S8VK-C06024
	120 W	100 to 240 VAC	24 V	5 A	40 × 125 × 113	S8VK-C12024
	240 W	Allowable range: 85 to 264 VAC 90 to 350 VDC, 2 phases less than 240 VAC	24 V	10 A	60 × 125 × 140	S8VK-C24024
	480 W		24 V	20 A	95 × 125 × 140	S8VK-C48024

S8VK-R series



Type	Input voltage	Output current	Size (W × H × D) [mm]	Order code
Redundancy Module	5 to 30 VDC	10 A	32 × 90 × 110	S8VK-R10
	10 to 60 VDC	20 A	40 × 125 × 113	S8VK-R20

Specifications

S8VK-G series

Item	Power ratings	15 W			30 W			60 W		120 W		240 W		480 W	
		Output voltage	5 V	12 V	24 V	5 V	12 V	24 V	12 V	24 V	24 V	24 V	48 V	24 V	48 V
Efficiency (Typical)	230 VAC input	77%	80%	79%	82%	86%	85%	88%	89%	92%	93%				
Input	Rated Input Voltage	100 to 240 VAC													
	Allowable range	85 to 264 VAC, 90 to 350 VDC 2 phases less than 240 VAC													
Output	Voltage adjustment range	-10% to 15% (with V.ADJ)													
	Input variation influence	0.5% max. (at 85 to 264 VAC input, 100% load)													
	Load variation Influence	3.0% max. (5 V), 2.0% max. (12 V), 1.5% max. (24, 48 V), at 0% to 100% load													
	Temperature variation influence	0.05%/°C max.													
Overload protection		Yes, 130% of rated current type													
Power Boost		120% of rated current													
Overvoltage protection		Yes													
Operating ambient temperature		-40 to 70°C (-40 to 158°F)													
Series operation		Yes, up to 2 units													
Parallel operation		Yes, up to 2 units													
EMI		Conforms to EN 61204-3, EN 55011 Class B													
EMS		Conforms to EN 61204-3 high severity levels													
Harmonic current emissions		Conforms to EN 61000-3-2													
Approved Standards		UL: UL 508 (Listing), UL 60950-1, cUL: CSA C22.2 No.107.1 and No.60950-1, UL 1310 Class 2 output for 15W, 30W, 60W EN/VDE: EN 50178 (=VDE0160), EN 60950-1 (=VDE0805) Marine approval (Lloyd's Register) ANS/ISA 12.12.01													
Fulfilled Standards		SELV (EN 60950-1/EN 50178/UL 60950-1), PELV(EN 60204-1, EN 50178), Safety of Power transformers (EN 61558-2-16), EN 50274 for Terminal parts													
Degree of protection		IP20 by EN/IEC 60529													

S8VK-T series

Item	Power ratings	120W	240W	480W	960W
Efficiency (Typ at 400VAC)		89%	89%	91%	91%
Input	Rated Input Voltage	3 × 380 to 480 VAC, 2 × 380 to 480 VAC, 450 to 600 VDC			
	Allowable range	3 × 320 to 576 VAC, 2 × 340 to 576 VAC, 450 to 810 VDC			
Output	Voltage adjustment range	22.5 to 29.5 V (with V.ADJ)			
	Input variation influence	0.5% max. (at 3 × 320 to 576 VAC input, 100% load)			
	Load variation Influence	1.5% max. at 0 to 100% load			
	Temperature variation influence	0.05%/°C max.			
Overload protection		Yes, 125% of rated current typ			
Power Boost		120% of rated current			
Overvoltage protection		Yes			
Operating ambient temperature		−40 to 70°C (−40 to 158°F)			
Series Operation		Yes, up to 2 units			
Parallel Operation		Yes, up to 2 units			
EMI		Conforms to EN 61204-3, EN 55011 Class B			
EMS		Conforms to EN 61204-3 high severity levels			
Harmonic current emissions		Conforms to EN 61000-3-2			
Approved Standards		UL: UL 508 (Listing), ANSI/ISA 12.12.01 EN/VDE: EN 50178 (=VDE 0160), Marine approval (Lloyd's Register)	UL: UL 508 (Listing), ANSI/ISA 12.12.01, UL 60950-1, CSA: C22.2 No.60950-1, EN/VDE: EN 50178 (=VDE 0160), EN 60950-1 (=VDE 0805), Marine approval (Lloyd's Register)		
Fulfilled Standards		SELV (EN 60950-1/EN 50178/UL 60950-1), PELV(EN 60204-1,EN 50178), Safety of Power transformers (EN 61558-2-16), EN 50274 for Terminal parts			
Degree of protection		IP20 by EN/IEC 60529			

S8VK-C series

Type	Power ratings	60 W	120 W	240 W	480 W
	Output voltage	24 V	24 V	24 V	24 V
Efficiency (Typical)	230 VAC input	88%	89%	89%	92%
Input	Rated Input Voltage	100 to 240 VAC			
	Allowable range	85 to 264 VAC, 90 to 350 VDC, 2 phases less than 240 VAC.			
	Inrush current at 230 VAC	40 A max			
Output	Voltage adjustment range	−10% to 15% (with V.ADJ)			
Additional functions	Overload protection	Yes			
	Overvoltage protection	Yes (color: green), lighting from 80% to 90% of rated voltage			
Others	Operating ambient temperature	−25 to 60°C (−13 to 140°F)			
	Storage temperature	−25 to 65°C (−13 to 149°F)			
	Output indicator	Yes			
	EMI	Conforms to EN 61204-3, EN55011 Class A			
	EMS	Conforms to EN 61204-3 high severity levels			
	Approved Standards	UL: UL 508 (Listing), UL 60950-1, cUL: CSA C22.2 No.107.1 and No.60950-1, EN/VDE: EN 50178 (=VDE0160), EN 60950-1 (=VDE0805)			
	Degree of protection	IP20 by EN/IEC 60529			

S8VK-R Series (Redundancy Units)

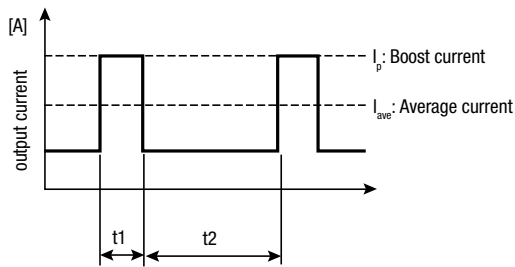
Type	S8VK-R10	S8VK-R20
Rated Input Voltage	5 to 30 V	10 to 60 V
Output Current	10 A	20 A
Voltage Drop	0.7 V max at 10 A	0.9 V max at 20 A
Operation Temperature range	−40 to 70°C	−40 to 70°C
Safety Standard	UL 60950-1, UL 508, cURus, cULus, EN 50178, EN 60950-1	
Signal output	30 VDC 50 mA max by Photo MOS Relay	
Redundancy OK Indicator	LED (Green), The function to know the both of PS operate normally.	
Voltage Balance Indicator	LED (Green), The function to help to get the balance of 2 unit PS output voltage	
Grounding terminal	–	Yes, One for Chassis grounding

Specifications

S8VK-G/S8VK-T Series

Power Boost Function

- Do not allow the boost current to continue for more than 10 seconds. Also, do not let the duty cycle exceed the following conditions. These conditions may damage Power supply.
- Ensure that the average current of one cycle of the boost current does not exceed the rated output current. This may damage Power Supply.
- Lessen the load of the boost load current by adjusting the ambient temperature and the mounting orientation.

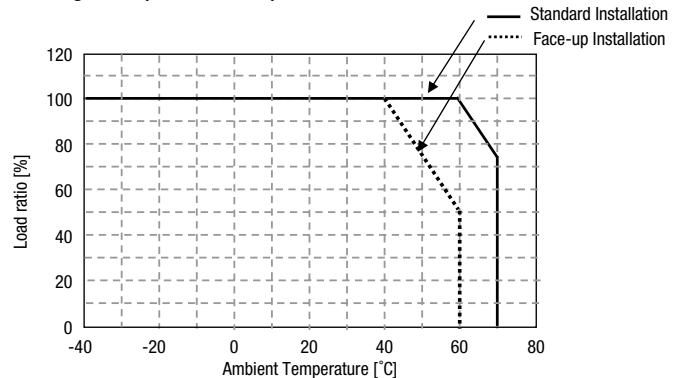


Defined condition for Power Boost availability.

- $t1 \leq 10 \text{ s}$
- $I_p \leq \text{Rated boost current}$
- $I_{ave} \leq \text{Rated current}$

$$\text{Duty} = \frac{t1}{t1 + t2} \times 100 [\%] \leq 30\%$$

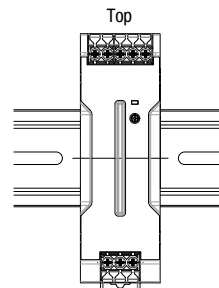
Derating Curve (As a reference)



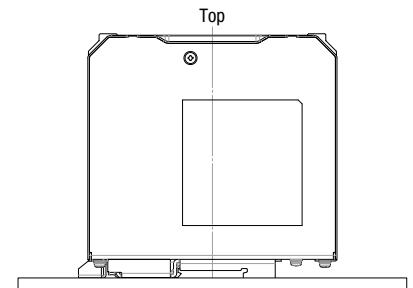
For Standard installation.

-40 to 60°C (-40 to 140°F) at 100% load

Derating -2.5% of load/K from 60 to 70°C (from 140 to 158°F)



Standard installation



Face-up installation

Terminals and Wiring

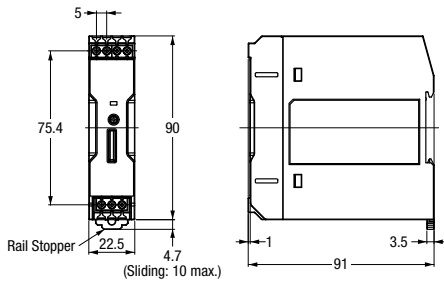
S8VK (15/30/60/120/240/480/960 W)

Model	INPUT		OUTPUT		PE	
	American Wire Gauge	Solid Wire/ Stranded Wire	American Wire Gauge	Solid Wire/ Stranded Wire	American Wire Gauge	Solid Wire/ Stranded Wire
S8VK-G01505	AWG24 to 12	0.25 to 4 mm ² / 0.25 to 2.5 mm ²	AWG20 to 12	0.5 to 4 mm ² / 0.5 to 2.5 mm ²	AWG14 or thicker	2.5 mm ² or thicker/ 2.5 mm ² or thicker
S8VK-G01512			AWG22 to 12	0.35 to 4 mm ² / 0.35 to 2.5 mm ²		
S8VK-G01524			AWG24 to 12	0.25 to 4 mm ² / 0.25 to 2.5 mm ²		
S8VK-G03005	AWG24 to 12	0.25 to 4 mm ² / 0.25 to 2.5 mm ²	AWG18 to 12	0.75 to 4 mm ² / 0.75 to 2.5 mm ²		
S8VK-G03012			AWG20 to 12	0.5 to 4 mm ² / 0.5 to 2.5 mm ²		
S8VK-G03024			AWG22 to 12	0.35 to 4 mm ² / 0.35 to 2.5 mm ²		
S8VK-G06012	AWG22 to 12	0.35 to 4 mm ² / 0.35 to 2.5 mm ²	AWG18 to 12	0.75 to 4 mm ² / 0.75 to 2.5 mm ²		
S8VK-G06024/ S8VK-C06024			AWG20 to 12	0.5 to 4 mm ² / 0.5 to 2.5 mm ²		
S8VK-G12024/ S8VK-C12024	AWG22 to 10	0.35 to 6 mm ² / 0.35 to 4 mm ²	AWG18 to 10	0.75 to 6 mm ² / 0.75 to 4 mm ²	AWG14 or thicker	2.5 mm ² or thicker/ 2.5 mm ² or thicker
S8VK-G24024/ S8VK-C24024	AWG20 to 10	0.5 to 6 mm ² / 0.5 to 4 mm ²	AWG14 to 10	2.5 to 6 mm ² / 2.5 to 4 mm ²		
S8VK-G24048/ S8VK-C48024			AWG18 to 10	0.75 to 6 mm ² / 0.75 to 4 mm ²		
S8VK-G48024	AWG16 to 10	1.5 to 6 mm ² / 1.5 to 4 mm ²	AWG12 to 10	4 to 6 mm ² / 4 mm ²		
S8VK-G48048			AWG14 to 10	2.5 to 6 mm ² / 2.5 to 4 mm ²		
S8VK-T12024	AWG24 to 10	0.25 to 6 mm ² / 0.25 to 4 mm ²	AWG18 to 10	0.75 to 6 mm ² / 0.75 to 4 mm ²		
S8VK-T24024	AWG22 to 10	0.35 to 6 mm ² / 0.35 to 4 mm ²	AWG14 to 10	2.5 to 6 mm ² / 2.5 to 4 mm ²		
S8VK-T48024	AWG20 to 10	1.5 to 6 mm ² / 1.5 to 4 mm ²	AWG12 to 10	4 to 6 mm ² / 4 mm ²		
S8VK-T96024	AWG16 to 10	1.5 to 16 mm ² / 1.5 to 16 mm ²	AWG8 to 6	10 to 16 mm ² / /10 to 16 mm ²		

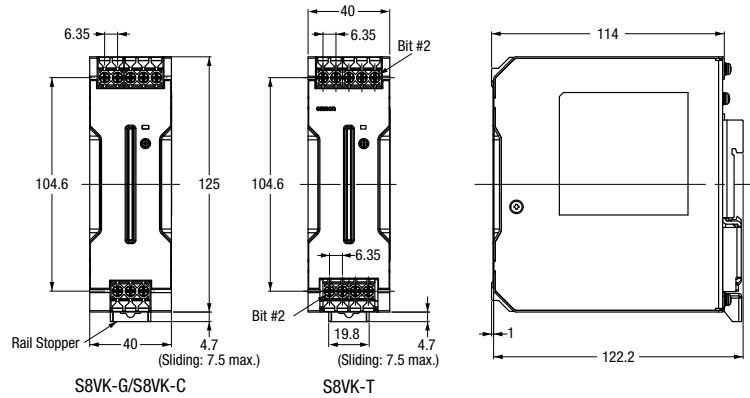
* Wires to be stripped: 8 mm

S8VK Dimensions

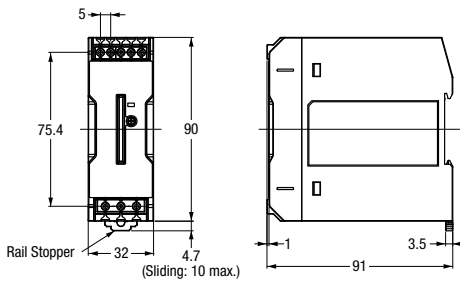
S8VK-G015



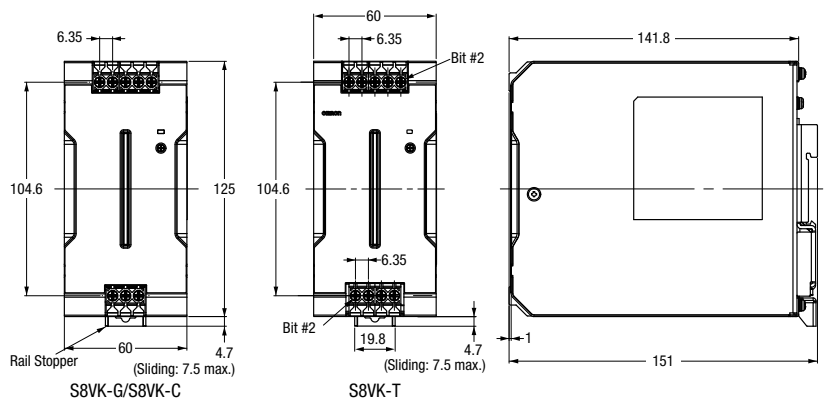
S8VK-G12024/S8VK-C12024/S8VK-T12024



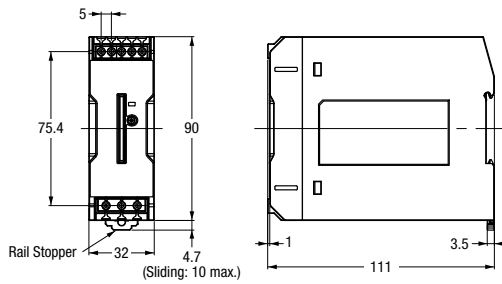
S8VK-G030



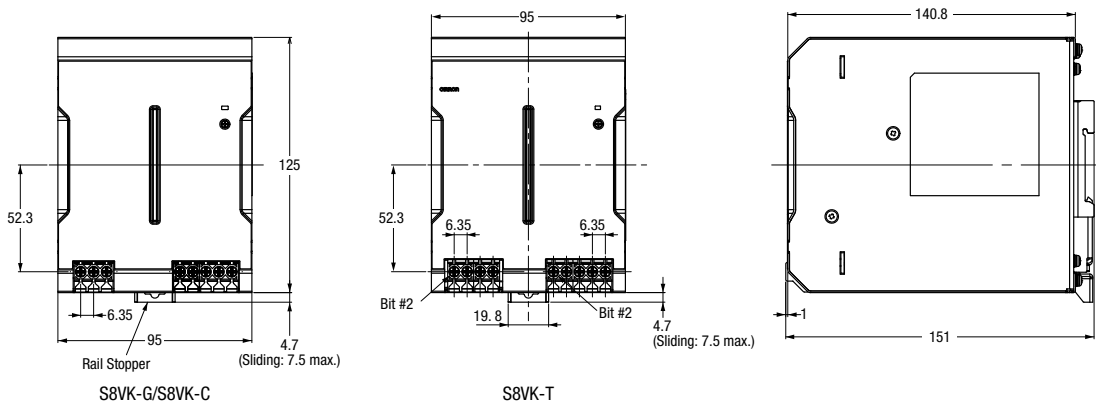
S8VK-G240/S8VK-C24024/S8VK-T24024



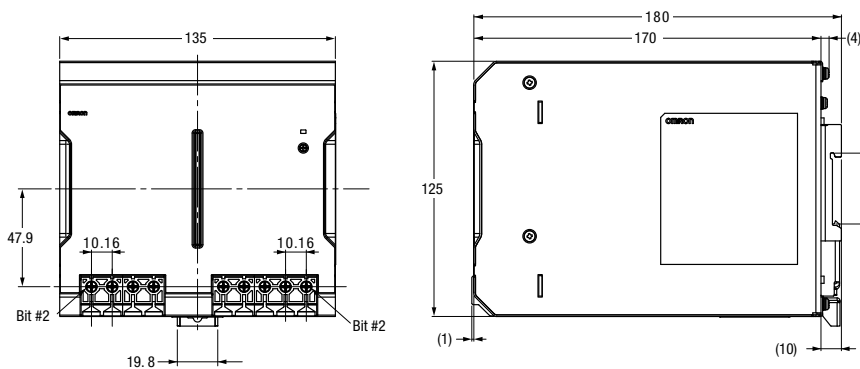
S8VK-G060/S8VK-C06024



S8VK-G480/S8VK-C48024/S8VK-T48024



S8VK-T96024



Would you like to know more?

Omron Electronics (Pty) Ltd

+27 (0)11 579 2600

industrial.omron.co.za

Stay in touch

omron.me/socialmedia_za

SOUTH AFRICA

Omron Electronics (Pty) Ltd

22 Friesland Drive,
Longmeadow Business Estate South
1640 Modderfontein
Tel: +27 (0)11 579 2600
Fax: +27 (0)11 608 3515
industrial.omron.co.za

Durban +27 (0)31 2793100

Cape Town +27 (0)21 5512448

Austria

Tel: +43 (0) 2236 377 800
industrial.omron.at

Belgium

Tel: +32 (0) 2 466 24 80
industrial.omron.be

Czech Republic

Tel: +420 234 602 602
industrial.omron.cz

Denmark

Tel: +45 43 44 00 11
industrial.omron.dk

Finland

Tel: +358 (0) 207 464 200
industrial.omron.fi

France

Tel: +33 (0) 1 56 63 70 00
industrial.omron.fr

Germany

Tel: +49 (0) 2173 680 00
industrial.omron.de

Hungary

Tel: +36 1 399 30 50
industrial.omron.hu

Italy

Tel: +39 02 326 81
industrial.omron.it

Netherlands

Tel: +31 (0) 23 568 11 00
industrial.omron.nl

Norway

Tel: +47 (0) 22 65 75 00
industrial.omron.no

Poland

Tel: +48 22 458 66 66
industrial.omron.pl

Portugal

Tel: +351 21 942 94 00
industrial.omron.pt

Russia

Tel: +7 495 648 94 50
industrial.omron.ru

South Africa

Tel: +27 (0)11 579 2600
industrial.omron.co.za

Spain

Tel: +34 902 100 221
industrial.omron.es

Sweden

Tel: +46 (0) 8 632 35 00
industrial.omron.se

Switzerland

Tel: +41 (0) 41 748 13 13
industrial.omron.ch

Turkey

Tel: +90 212 467 30 00
industrial.omron.com.tr

United Kingdom

Tel: +44 (0) 1908 258 258
industrial.omron.co.uk

More Omron representatives

industrial.omron.eu