

# Conductive Level Controller 61F-GPN-BT/-BC

**Battery (24 VDC) allows use in locations without AC power supply. AC sine-wave voltage between electrodes enables stable detection with no electric corrosion.**

- Outputs can be set to self-hold at ON or OFF using special circuits.
- Adjustable sensitivity, with an operating resistance range of 0 to 100 kΩ, allows use for a wide variety of liquids.
- Relay contact chattering conventionally caused by waves eliminated using open collector output, reducing contact wear.
- Bears CE marking and is a UL recognized component.



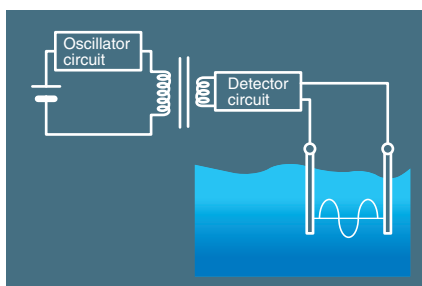
Level Controllers

## Features

**The 61F can now run on DC power to allow energy savings, greater safety, and use in emergency situations.**

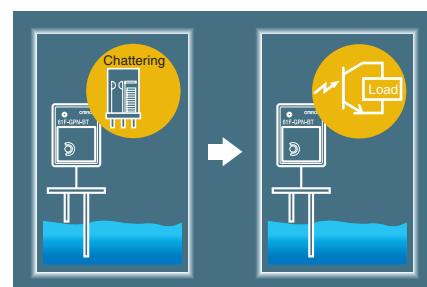
### Combines DC Power Supply with AC Sensing Method

AC sine-wave signals are sent to electrodes using a built-in DC-AC converter, preventing electric corrosion and ensuring safety.



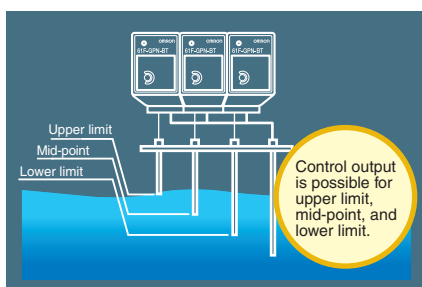
### Open Collector Output

Signals can be used as direct input for a PLC. PNP output is also possible using the connection method.



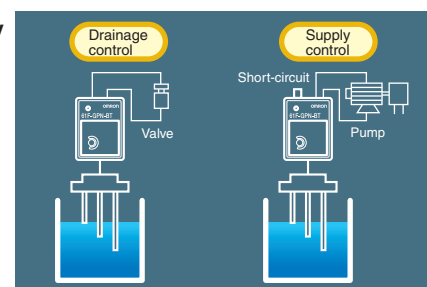
### Supports Multi-channel Sensing

Power supply circuits and detection circuits are isolated, allowing more than one Controller to be used in the same tank.



### Same Wiring for Supply and Drainage

Supply control and drainage control can be performed with the same wiring (short terminals 7 and 8 for supply control). This makes it easy to perform wiring and confirm connection.



## Ordering Information

Product name	Model number	
Conductive Level Controller	61F-GPN-BT	61F-GPN-BC
	Open collector (NPN)	Relay contact (SPST-NO)
Front Socket	PF113A-E	
Electrode Holder	(See note.)	

**Note:** A variety of Holders are available to suit different types of application. For details, refer to *61F Floatless Level Controller (F030-E1-8)*.

# Specifications

## ■ Ratings

	61F-GPN-BT	61F-GPN-BC
Rated voltage	24 VDC	
Allowable voltage range	85% to 110% of the rated voltage	
Interelectrode voltage	5 VAC max.	
Operation resistance (See note 1.)	Variable (0 to 100 kΩ)	
Error	For scale of 0: +10 kΩ; For scale of 100: ±10 kΩ	
Release resistance	200% max. of the operation resistance	
Switching between supply and drainage	Terminals 7 and 8 open: Automatic drainage operation Terminals 7 and 8 shorted: Automatic supply operation	
Output specifications	Open collector (NPN) 30 VDC, 100 mA max.	SPST-NO 5 A, 240 VAC (Resistive load) 2 A, 240 VAC (Inductive load: $\cos\phi=0.4$ )
Life expectancy	---	Electrical: 100,000 operations min. Mechanical: 20,000,000 operations min.
Wiring distance (See note 2.)	100 m max.	

**Note:** 1. The 61F may not operate at resistance settings close to zero. Adjust the sensitivity to match actual usage conditions.  
2. The figure for wiring distance above is for when 600-V 3-core cable with a cross-sectional area of 0.75 mm<sup>2</sup> is used.

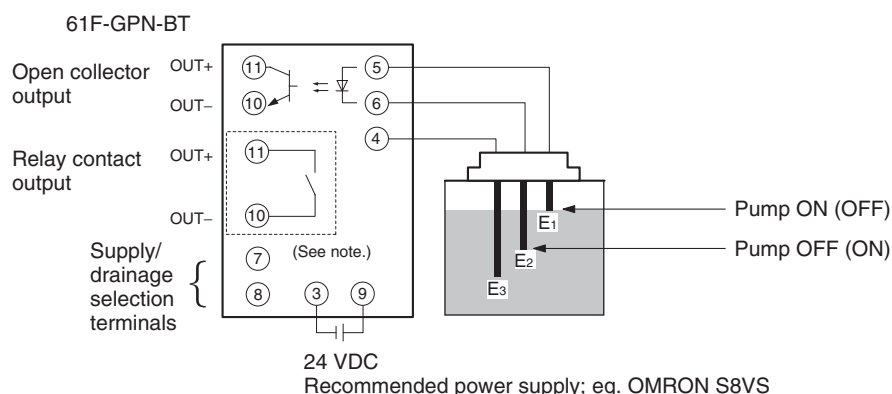
## ■ Characteristics

Ambient operating temperature	-10 to 55°C
Ambient operating humidity	25% to 85%
Insulation resistance	100 MΩ min. (at 500 VDC)
Dielectric strength (See note.)	2,000 VAC, 50/60 Hz for 1 minute
Power consumption	2 W max.
Response time	Operating: 1.5 s max. Releasing: 3.0 s max.

**Note:** The dielectric strength is measured between power terminals and electrode terminals, power terminals and output terminals, and between electrode terminals and output terminals.

# Connections

## ■ Automatic Drainage Operation



**Note:** [ ] The part within the dotted-line box is for the 61F-GPN-BC (relay-output type) only.

## ■ Automatic Water Supply Operation

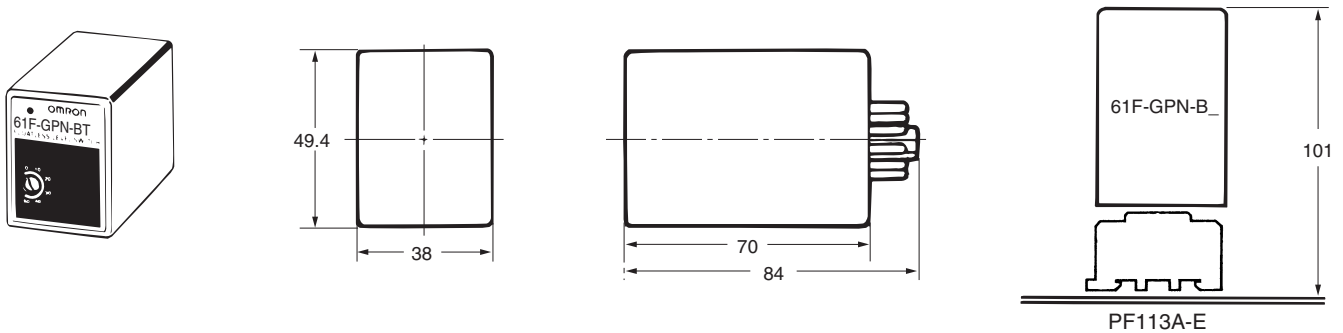
Short terminals 7 and 8 for automatic water supply operation. (Operation shown in parentheses in the diagram above.)

## ■ Reading Signals for the Liquid Level Only (No Control)

Only E1 and E3 are used. Output will turn ON when the liquid level reaches E1 if terminals 7 and 8 are open, and will turn OFF if terminals 7 and 8 are closed. Also, to take signals for liquid level at several points, use terminal 4 as a common for all of the Controllers and use terminal 5 of each Controller as an electrode.

**Note:** If terminals 7 and 8 are shorted, operation of the 61F relay is "de-energizing" (i.e., energized normally and de-energized when liquid is present across the electrodes). Therefore, if the power supply connected across terminals 3 and 9 is interrupted, the output from terminals 10 and 11 will turn OFF, enabling detection of power interruptions.


## Dimensions



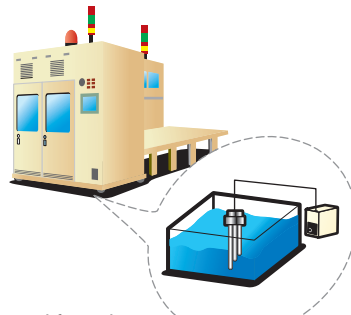
Level Controllers

## Application Examples


**Applications**



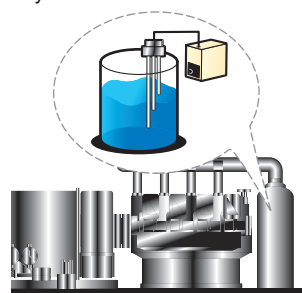
Drainage control for semiconductor wafer cleaning installations.



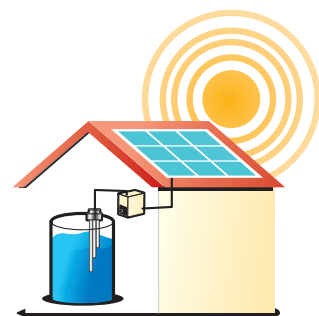
Meet safety standards by using DC power supply for all devices in a panel.



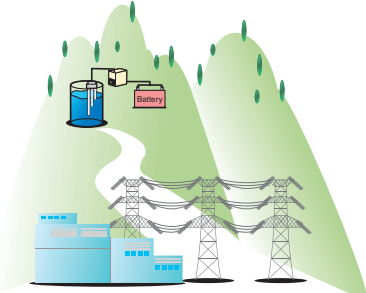
Liquid level control for waste-heat recovery boilers in co-generation systems.



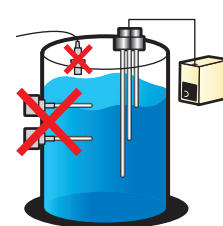
Liquid level control for solar power generation systems.



Liquid level control for remote regions without AC power supply.



Cut costs by using the 61F in situations where ultrasonic/electrostatic capacity level controllers were used because only DC power supply was available.



Number of controllers required:  
2  
↓  
1

# Precautions

---

## General Precautions

Before using the Controller under conditions not described in the relevant documents or applying the Controller to nuclear control systems, railroad systems, aviation systems, vehicles, combustion systems, medical equipment, amusement machines, safety equipment and other systems, machines, and equipment that may have a serious influence on lives and property if used improperly, consult your OMRON representative.

Make sure that the ratings and performance characteristics of the Controller are sufficient for the systems, machines, and equipment and be sure to provide the systems, machines, and equipment with double safety-mechanisms.

## Safety Precautions

In order to ensure safe operation, be sure to observe the following points.

- Use a power supply voltage within the specified range.
- Do not use the Controller in locations subject to flammable gases or objects.
- Insert the Socket until it securely clicks into place.
- Do not short the load connected to the output terminals.
- Do not connect the power supply in reverse.

## Correct Use

### Mounting

Mount to a panel of thickness 1 to 5 mm.

Do not mount the Controller in the following places.

- Locations subject to strong vibrations or shocks.
- Locations outside the specified temperature and humidity ranges, or locations prone to condensation. (The Controller detects high impedances. Do not use in locations subject to high humidity levels.)
- Locations subject to dust.
- Locations subject to corrosive gases (in particular, sulphurized gas or ammonia gas).
- Outdoors, or in locations subject to direct sunlight.
- Near devices that generate strong, high-frequency noise (e.g., high-frequency welders, machines).

ALL DIMENSIONS SHOWN ARE IN MILLIMETERS.

To convert millimeters into inches, multiply by 0.03937. To convert grams into ounces, multiply by 0.03527.