

# Small Sealed Switch D4E-□N

## Slim and Compact Switch with Better Seal and Ensuring Longer Service Life than D4E

- Flat springs with an improved lever ratio of the built-in switch ensure smooth snap action and long life expectancy.
- Protection cover protects the built-in switch from dust and oil. Plunger incorporates a tough seal cap that lasts for a long time.
- One touch connector eliminates need for tedious wiring operations and reduces downtime for wiring and maintenance (models with standard, easy-to-use screw terminals are also available).
- Minute load model with gold cladding is optimal for electronic control.
- Molded terminal types as well as molded terminal types with operating indicator lamps are available for screw terminal systems.
- No difference in mounting pitch and characteristics between D4E-□N and D4E models.



## Model Number Structure

### ■ Model Number Legend

D4E-□□□□N  
1 2 3 4

#### 1. Rated Current

- 1: 5 A at 125 VAC  
(1 A at 125 VAC/30 VDC for model with a connector)
- 2: 0.1 A at 125 VAC  
(0.1 A at 125 VAC/30 VDC for model with a connector)

#### 2. Actuator

- A: Roller plunger
- B: Crossroller plunger
- C: Plunger
- D: Sealed roller plunger
- E: Sealed crossroller plunger
- F: Sealed plunger
- G: Roller lever
- H: One-way action roller lever

#### 3. Terminals

- 00: AC connector
- 10: DC connector
- 20: Screw terminals without a cable
- 21: Screw terminals with a cable (right-hand)
- 22: Screw terminals with a cable (left-hand)
- 23: Molded terminals with a cable (right-hand)
- 24: Molded terminals with a cable (left-hand)  
(Cable is S-FLEX VCTF 3 m)

#### 4. Operation Indicator

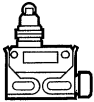
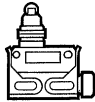
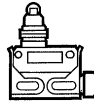
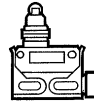
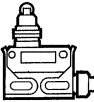
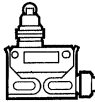





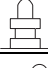

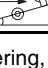
- L: Neon lamp (250 VAC)
- L1: LED (12 VDC)
- L2: LED (24 VDC)
- L3: LED (48 VDC)

**Note: 1.** Only the molded terminal models can be equipped with an operation indicator.

- 2.** Desired Switches may not be manufactured depending on the combination between molds and indicators. Contact our sales representative for further information.

# Ordering Information

## ■ List of Models

Actuator	One-touch connector type		Screw terminal type			
	General-purpose	Micro load	General-purpose without cable	Micro load without cable	General-purpose with cable	Micro load with cable
						
Roller plunger 	D4E-1A□0N	D4E-2A□0N	D4E-1A20N (see note 2)	D4E-2A20N	D4E-1A21N	D4E-2A21N
Crossroller plunger 	D4E-1B□0N	D4E-2B□0N	D4E-1B20N (see note 2)	D4E-2B20N	D4E-1B21N	D4E-2B21N
Plunger 	D4E-1C□0N	D4E-2C□0N	D4E-1C20N (see note 2)	D4E-2C20N	D4E-1C21N	D4E-2C21N
Sealed roller plunger 	D4E-1D□0N	D4E-2D□0N	D4E-1D20N (see note 2)	D4E-2D20N	D4E-1D21N	D4E-2D21N
Sealed crossroller plunger 	D4E-1E□0N	D4E-2E□0N	D4E-1E20N (see note 2)	D4E-2E20N	D4E-1E21N	D4E-2E21N
Sealed plunger 	D4E-1F□0N	D4E-2F□0N	D4E-1F20N (see note 2)	D4E-2F20N	D4E-1F21N	D4E-2F21N
Roller lever 	D4E-1G□0N	D4E-2G□0N	D4E-1G20N (see note 2)	D4E-2G20N	D4E-1G21N	D4E-2G21N
One-way action roller lever 	D4E-1H□0N	D4E-2H□0N	D4E-1H20N (see note 2)	D4E-2H20N	D4E-1H21N	D4E-2H21N

- Note:**
- When ordering, specify the current type by replacing the blank box of the model number with 0 for AC connector or 1 for DC connector.
  - Approved by UL and CSA.
  - For the plunger and lever actuator models, the NC and NO terminal indicators are reversed.
  - Cold tolerance specifications are available for actuator models with an A, B, C, G, or H in the model number. When ordering, add C to the model number.  
For example: D4E-1A20N → D4E-1A20N-C

## Accessories (Order Separately)

### Plug

Model	Current	Type	No. of conductors	Cable length	Applicable models
XS2F-A421-D90-A	AC	Straight	4	2 m	D4E-□□00N
XS2F-A421-G90-A				5 m	
XS2F-D421-D80A	DC			2 m	D4E-□□10N
XS2F-D421-G80-A				5 m	

# Specifications

## ■ Approved Standards

Agency	Standard	File No.
UL	UL508	E76675
CSA	CSA C22.2 No. 14	LR45746
TÜV Rheinland	EN60947-5-1	R9551015

## ■ Approved Standard Ratings

### UL, CSA

#### A300

Voltage	Carry current	Current		Volt-amperes	
		Make	Break	Make	Break
120 V	10 A	60 A	6 A	7,200 VA	720 VA
240 V		30 A	3 A		

### TÜV (EN60947-5-1)

D4E-  $\frac{1}{I}$   $\frac{G}{II}$   $\frac{23}{III}$   $\frac{L}{IV}$  N

I	Model			Applicable category and ratings	Thermal current (I <sub>the</sub> )	Indicator
	II	III	IV			
1	<input type="checkbox"/>	00		AC-14 0.5 A/125 VAC	5 A	---
1	<input type="checkbox"/>	10		DC-12 0.5 A/30 VDC	5 A	---
1	<input type="checkbox"/>	20, 21, 22		AC-15 2A/250 VAC DC-12 2A/48 VDC	5 A	---
1	<input type="checkbox"/>	23, 24	L	AC-15 2A/250 VAC	5 A	Neon lamp
1	<input type="checkbox"/>	23, 24	L1	DC-12 2A/12 VDC	5 A	LED
1	<input type="checkbox"/>	23, 24	L2	DC-12 2A/24 VDC	5 A	LED
1	<input type="checkbox"/>	23, 24	L3	DC-12 2A/48 VDC	5 A	LED
2	<input type="checkbox"/>	00		AC-14 0.1A/125 VAC	0.5 A	---
2	<input type="checkbox"/>	10		DC-12 0.1A/30 VDC	0.5 A	---
2	<input type="checkbox"/>	20, 21, 22		AC-14 0.1A/125 VAC DC-12 0.1A/48 VDC	0.5 A	---
2	<input type="checkbox"/>	23, 24	L	AC-14 0.1A/125 VAC	0.5 A	Neon lamp
2	<input type="checkbox"/>	23, 24	L1	DC-12 0.1A/12 VDC	0.5 A	LED
2	<input type="checkbox"/>	23, 24	L2	DC-12 0.1A/24 VDC	0.5 A	LED
2	<input type="checkbox"/>	23, 24	L3	DC-12 0.1A/48 VDC	0.5 A	LED

- Note:** 1. : Actuator variation of item II  
 2. AC-14 0.5 A/125 VAC means as follows:  
 Applicable category: AC-14  
 Rated operating current (I<sub>o</sub>): 0.5 A  
 Rated operating voltage (U<sub>o</sub>): 125 VAC

## ■ Ratings

Rated voltage	General-purpose								Micro load	
	Non-inductive load				Inductive load				Non-inductive load	
	Resistive load		Lamp load		Inductive load		Motor load		Resistive load	
	NC	NO	NC	NO	NC	NO	NC	NO	NC	NO
125 VAC	5 (1) A		1.5 (1) A		3 (1) A		2 (1) A	1 (1) A	0.1 A	
250 VAC	5 (1) A		1.5 (1) A		3 (1) A		1 A	0.5 A	---	
8 VDC	5 (1) A		---		1.5 (1) A		---		0.1 A	
14 VDC	5 (1) A		---		1.5 (1) A		---		0.1 A	
30 VDC	5 (1) A		---		1.5 (1) A		---		0.1 A	
125 VDC	0.5 A		---		0.05 A		---		---	
250 VDC	0.25 A		---		0.03 A		---		---	

Inrush current	NC	10 A max.
	NO	10 A max.

- Note:**
- The above current ratings are for a standard current and the values in parentheses are for models with a connector.
  - Inductive loads have a power factor of 0.4 min. (AC) and a time constant of 7 ms max. (DC).
  - Lamp load has an inrush current of 10 times the steady-state current.
  - Motor load has an inrush current of 6 times the steady-state current.

## ■ Characteristics

Degree of protection	IP67
Durability (see note 3)	Mechanical: 10,000,000 operations min. Electrical: 500,000 operations min. (5 A at 250 VAC, resistive load) 5,000,000 operations min. (10 mA at 24 VDC, resistive load)
Operating speed	0.1 mm to 0.5 m/sec
Operating frequency	Mechanical: 120 operations/min Electrical: 30 operations/min
Rated frequency	50/60 Hz
Insulation resistance	100 MΩ min. (at 500 VDC)
Contact resistance	15 mΩ max. (initial value)
Dielectric strength	1,000 VAC, 50/60 Hz for 1 min between terminals of same polarity 1,500 VAC, 50/60 Hz for 1 min/Uimp at 2.5 kV (EN60947-5-1) between current-carrying metal parts and ground, and between each terminal and non-current-carrying metal part
Rated insulation voltage (Ui)	250 VAC
Switching overvoltage	1,000 VAC max. (EN60947-5-1)
Pollution degree (operating environment)	3 (EN60947-5-1)
Short-circuit protective device (SCPD)	10 A fuse (type gG or gI, IEC269 approved)
Conditional short-circuit current	100 A (EN60947-5-1)
Conventional enclosed thermal current (I <sub>the</sub> )	5 A (EN60947-5-1)
Protection against electric shock	Class II (grounding not required with double insulation)
Vibration resistance	Malfunction: 10 to 55 Hz, 1.5-mm double amplitude
Shock resistance	Destruction: 1,000 m/s <sup>2</sup> min. Malfunction: 300 m/s <sup>2</sup> min.
Ambient temperature	Operating: -10°C to 80°C (with no icing)
Ambient humidity	Operating: 95% max.
Weight	Approx. 86 g (in case of roller plunger)

- Note:**
- The above values are initial values.
  - The above ratings may vary depending on the model. Contact your OMRON representative for further details.
  - Durability values are calculated at an operating temperature of 5°C to 35°C, and an operating humidity of 40% to 70%. Contact your OMRON sales representative for more detailed information on other operating environments.

## Operating Characteristics

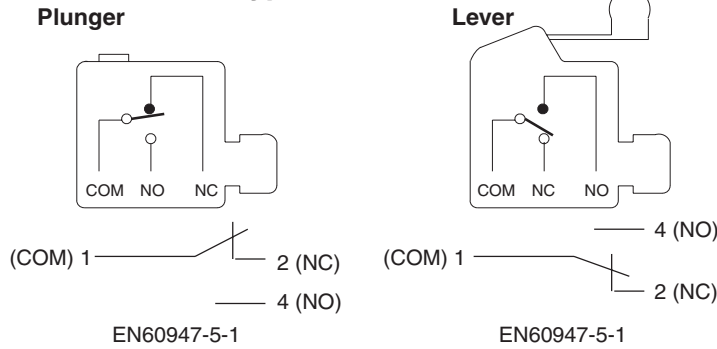
Model	D4E-1A□□N D4E-2A□□N	D4E-1B□□N D4E-2B□□N	D4E-1C□□N D4E-2C□□N	D4E-1D□□N D4E-2D□□N	D4E-1E□□N D4E-2E□□N
OF max.	11.77 N	11.77 N	11.77 N	11.77 N	11.77 N
RF min.	4.90 N	4.90 N	4.90 N	4.90 N	4.90 N
PT max.	1.5 mm	1.5 mm	1.5 mm	1.5 mm	1.5 mm
OT min.	3 mm	3 mm	3 mm	3 mm	3 mm
MD(reference value)	(0.1 mm)	(0.1 mm)	(0.1 mm)	(0.1 mm)	(0.1 mm)
OP	31.4±0.8 mm	31.4±0.8 mm	25.4±0.8 mm	41.3±0.8 mm	41.3±0.8 mm

Model	D4E-1F□□N D4E-2F□□N	D4E-1G□□N D4E-2G□□N	D4E-1H□□N D4E-2H□□N
OF max.	11.77 N	3.92 N	3.92 N
RF min.	4.90 N	0.78 N	0.78 N
PT max.	1.5 mm	2 mm	2 mm
OT min.	3 mm	4 mm	4 mm
MD(reference value)	(0.1 mm)	(0.3 mm)	(0.3 mm)
OP	30±0.8 mm	23.1±0.8 mm	34.3±0.8 mm

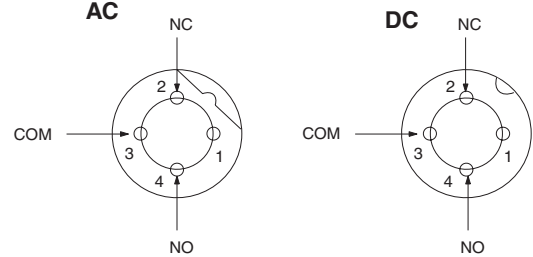
Note: The values given in parentheses are reference values.

## Contact Form

### Screw Terminal Type



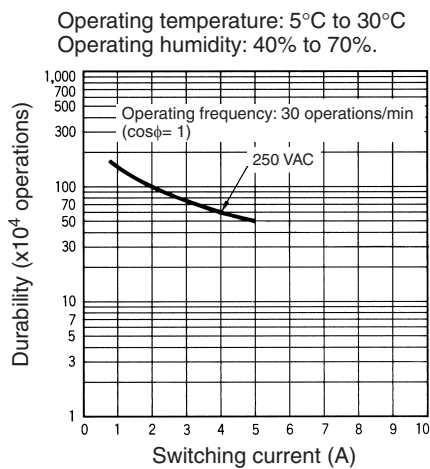
### Connector Type



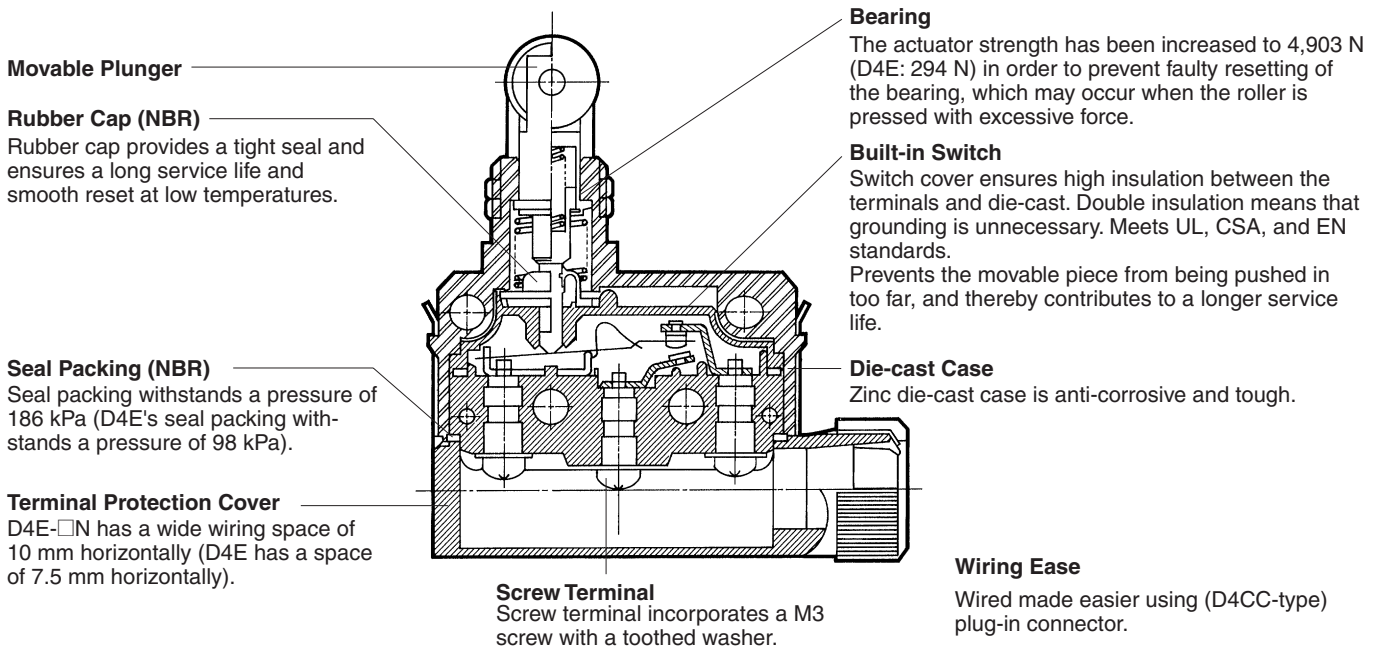
Limit Switches

## Engineering Data

### Electrical Durability (cosφ=1)



# Nomenclature

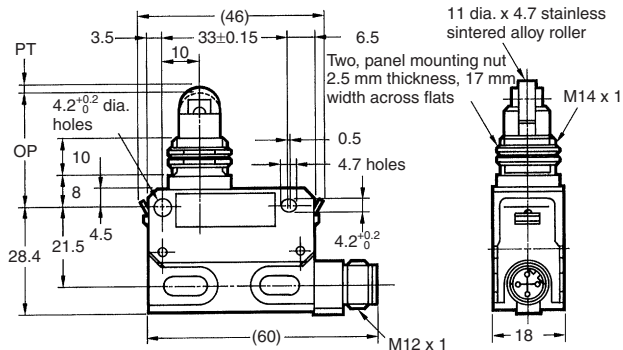
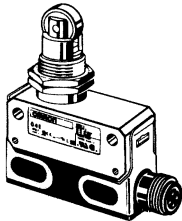


# Dimensions

- Note:** 1. All units are in millimeters unless otherwise indicated.  
 2. Unless otherwise specified, a tolerance of  $\pm 0.4$  mm applies to all dimensions.  
 3. A 3-m lead wire cable equivalent to the 3-conductor VCTF S-FLEX cable (0.75 mm<sup>2</sup>, 7 mm in dia.) is provided.  
 4. A 5.8- to 7.6-dia. cable can be applied to the seal rubber for the lead wire outlet.

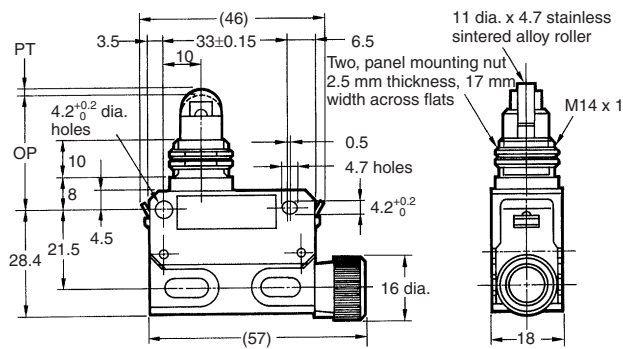
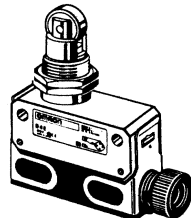
## Roller Plunger

D4E-1A00N  
 D4E-1A10N  
 D4E-2A00N  
 D4E-2A10N



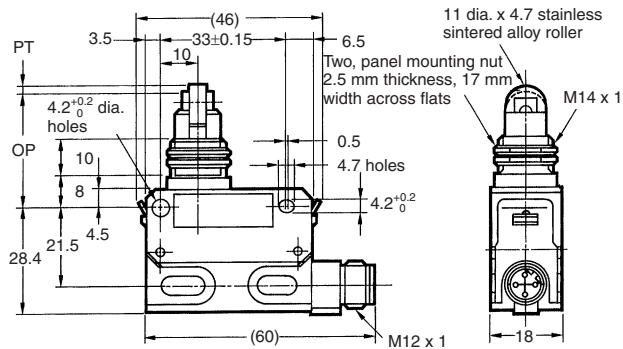
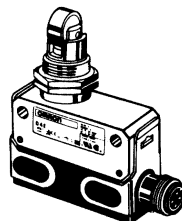
## Roller Plunger

D4E-1A20N (See note 4.)  
 D4E-2A20N (See note 4.)  
 D4E-1A21N (See note 3.)  
 D4E-2A21N (See note 3.)



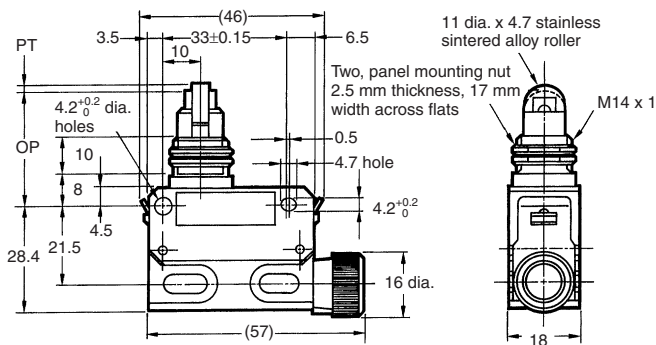
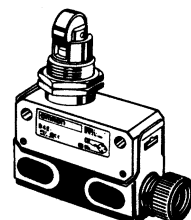
## Cross Roller Plunger

D4E-1B00N  
 D4E-1B10N  
 D4E-2B00N  
 D4E-2B10N



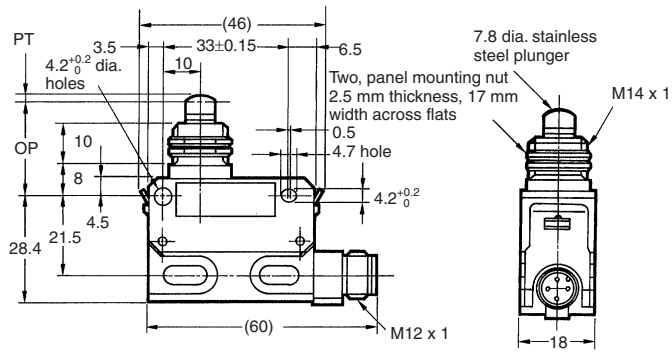
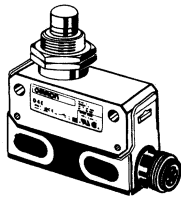
## Cross Roller Plunger

D4E-1B20N  
 D4E-2B20N  
 D4E-1B21N  
 D4E-2B21N



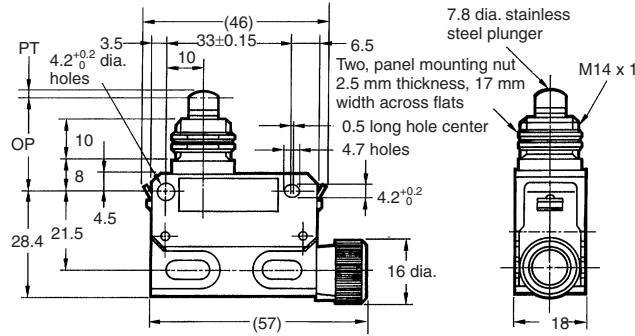
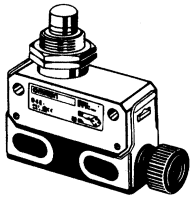
**Plunger**

- D4E-1C00N
- D4E-1C10N
- D4E-2C00N
- D4E-2C10N



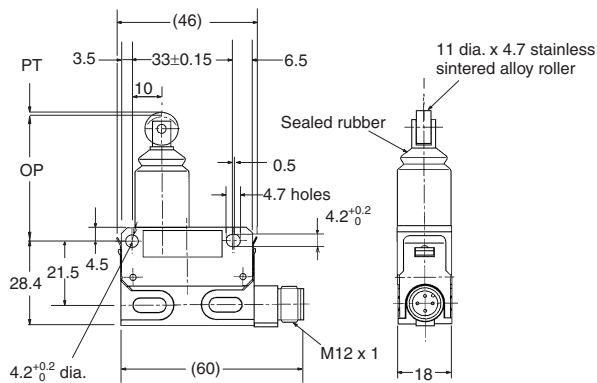
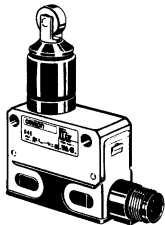
**Plunger**

- D4E-1C20N (See note 4.)
- D4E-2C20N (See note 4.)
- D4E-1C21N (See note 3.)
- D4E-2C21N (See note 3.)



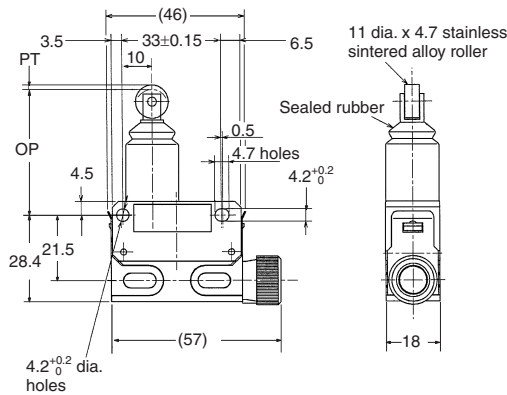
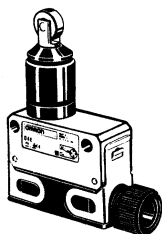
**Sealed Roller Plunger**

- D4E-1D00N
- D4E-1D10N
- D4E-2D00N
- D4E-2D10N



**Sealed Roller Plunger**

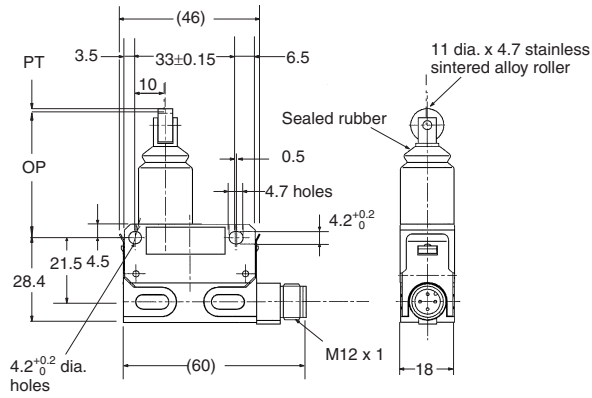
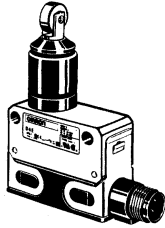
- D4E-1D20N (See note 4.)
- D4E-2D20N (See note 4.)
- D4E-1D21N (See note 3.)
- D4E-2D21N (See note 3.)





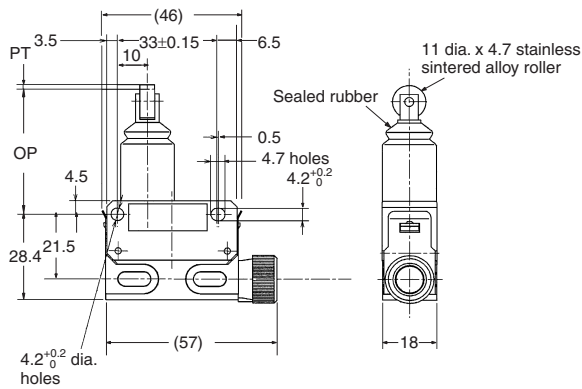
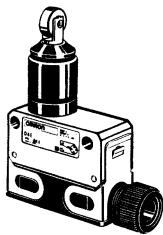
**Sealed Cross Roller Plunger**

D4E-1E00N  
D4E-1E10N  
D4E-2E00N  
D4E-2E10N



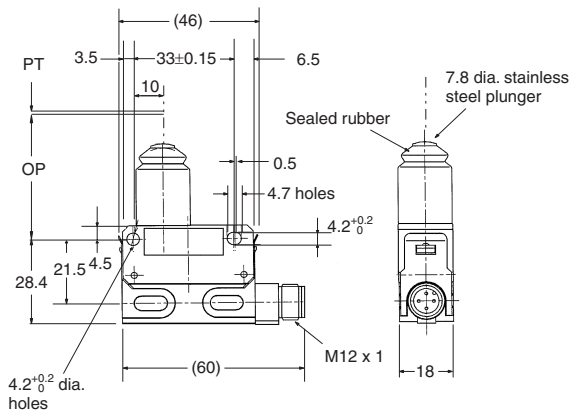
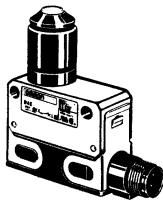
**Sealed Cross Roller Plunger**

D4E-1E20N (See note 4.)  
D4E-2E20N (See note 4.)  
D4E-1E21N (See note 3.)  
D4E-2E21N (See note 3.)



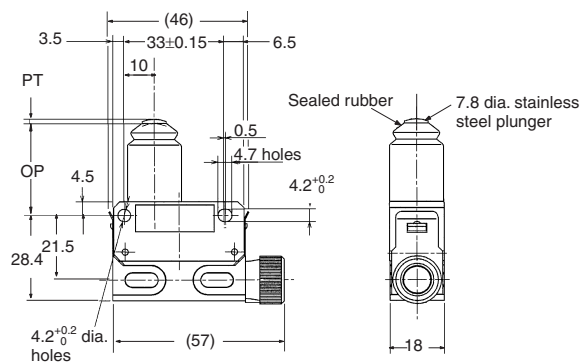
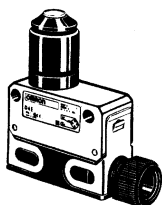
**Sealed Plunger**

D4E-1F00N  
D4E-1F10N  
D4E-2F00N  
D4E-2F10N



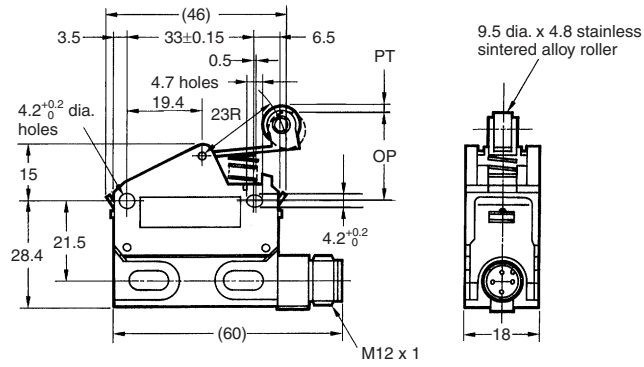
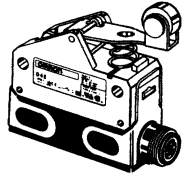
**Sealed Plunger**

D4E-1F20N (See note 4.)  
D4E-2F20N (See note 4.)  
D4E-1F21N (See note 3.)  
D4E-2F21N (See note 3.)



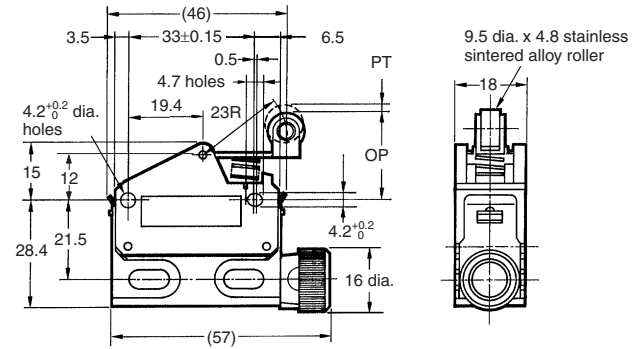
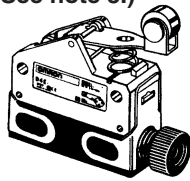
**Roller Lever**

- D4E-1G00N
- D4E-1G10N
- D4E-2G00N
- D4E-2G10N



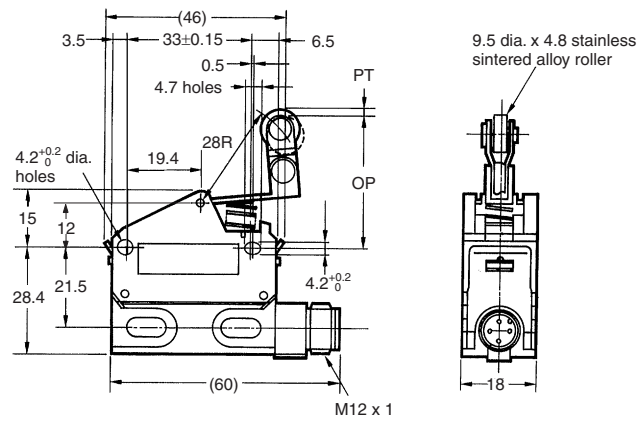
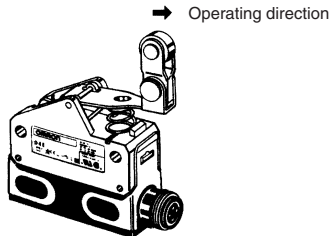
**Roller Lever**

- D4E-1G20N (See note 4.)
- D4E-2G20N (See note 4.)
- D4E-1G21N (See note 3.)
- D4E-2G21N (See note 3.)



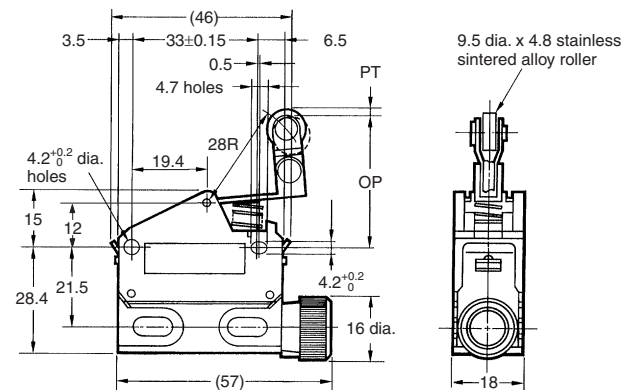
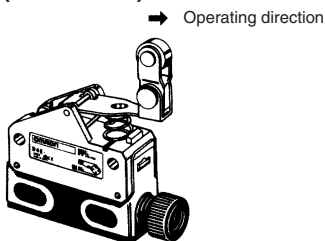
**One-way Action Roller Lever**

- D4E-1H00N
- D4E-1H10N
- D4E-2H00N
- D4E-2H10N



**One-way Action Roller Lever**

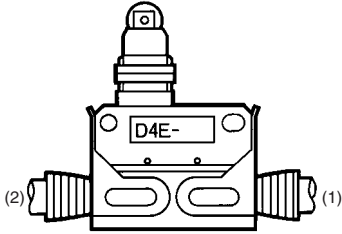
- D4E-1H20N (See note 4.)
- D4E-2H20N (See note 4.)
- D4E-1H21N (See note 3.)
- D4E-2H21N (See note 3.)



# Molded Terminal Models

## Molded Terminal Models

The molded-terminal model is available with right-hand, left-hand and underside leads and is recommended for use where the Switch is exposed to dust, oil or moisture. It can be used like a screw-terminal model (with a cable), and the dimensions and operating characteristics are the same as for standard models.



**Example:**

Standard type: D4E-1A20N  
 Location of lead output: Right-hand → D4E-1A23N

**Suffix by Location of Lead Outlet**

Location of lead output	Suffix for pre-wired terminal
	COM, NC, NO
(1) Right-hand	D4E-□□23N
(2) Left-hand	D4E-□□24N

### Lead Supplies

Leads	Nominal cross-sectional area	Finished outside diameter	Terminal connections	Standard length
V.C.T.F. S-FLEX (vinyl cabtire coat)	0.75 mm <sup>2</sup>	3 conductors 7 mm dia.	Black: COM White: NO Red: NC	3 m

### Comparison between Old and New Mold Terminal Models

The D4E-N and D4E are different from each other in terminal specifications.

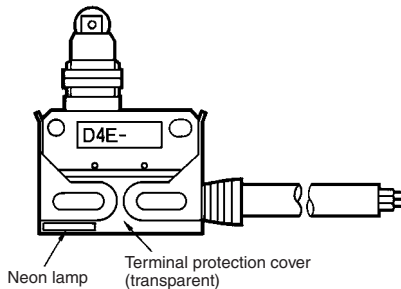
Location of lead output	D4E-N	D4E
Right-hand	D4E-□□23N	D4E-□□21
Left-hand	D4E-□□24N	D4E-□□23
Underside	---	D4E-□□22

## Operation of Indicator-equipped Models

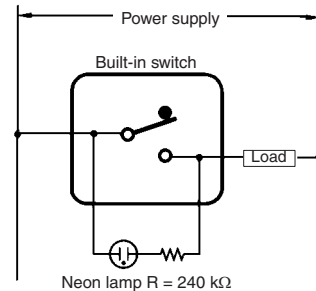
The molded terminal model may be equipped with an operation indicator (neon lamp or LED) upon request to facilitate maintenance and inspection. The operation indicator is designed to illuminate when the Switch is not operating. (Because of the molded terminal model, any change to the Switch wiring cannot be made.)

### AC Operation

A neon lamp indicator is provided. The operating voltage is 90 to 250 VAC.



### Internal Circuit



There is no difference in operating characteristics between D4E AC Models and corresponding D4E Standard Models.

There is no difference in dimensions between D4E AC Models and D4E Standard Models.

**Example:**

Basic type: D4E-1A23N  
 When placing your order for the molded terminal model with an neon lamp operation indicator, specify the model number as D4E-1A23LN.

Limit Switches

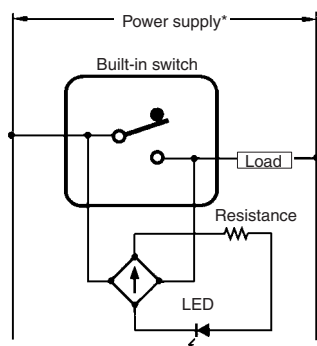
## DC Operation

LED indicator is provided.

As a rectifier stack is incorporated, into the unit and no directionality exists for connection of + and -, this type can also be operated on AC.

Voltage ratings of LED indicators are as shown in the table below.

## Internal Circuit



**Note:** \*An external 24VDC power supply can be used, eg. OMRON S8VS.

Type	Voltage rating	Lamp current	Internal resistance
L1	12 V	Approx. 2.4 mA	4.3 kΩ
L2	24 V	Approx. 1.2 mA	18 kΩ
L3	48 V	Approx. 2.1 mA	22 kΩ

### Example:

When ordering a D4E DC Model, add the following suffix to the model number.

Basic Model: The model number of the D4E-1A23N with a built-in 12-V LED indicator is D4E-1A23L1N.

# Precautions

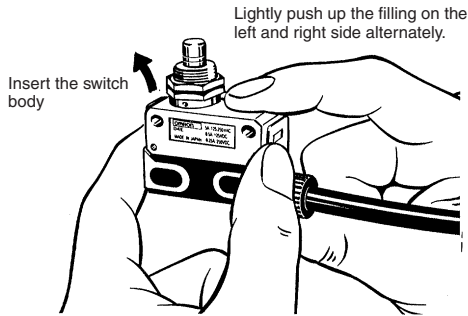
Refer to the *Technical Information for Limit Switches* (Cat. No. C121).

## Correct Use

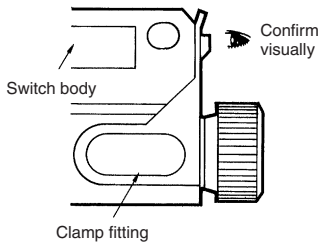
Do not solder the screw terminals.

Sealing materials may deteriorate when used outdoors or when exposed to cutting oil, solvents, or chemicals. Check this on actual equipment and, if deterioration is foreseen, consult your OMRON representative in advance.

If the one-touch connector is to be mounted onto the switch body, lightly push up the fitting so that the switch body can then be inserted into the clamp.



Be sure that the clamp is inserted to the full depth, because the Switch will not function properly if one of the clamps is improperly inserted.



If the clamp is properly inserted up to the full depth, it will not slide out easily. Be sure to carefully confirm all the above items.

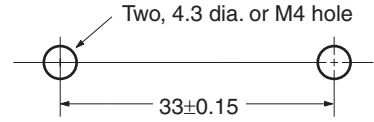
Be sure to connect a fuse with a breaking current 1.5 to 2 times the rated current to the Limit Switch in series in order to protect the Limit Switch from damage due to short-circuiting.

When using the Limit under the EN ratings, use a gI or gG 10-A fuse that conforms to IEC260.

## Mounting

Secure the Switch with two M4 screws and washers. The tightening torque applied to each terminal must be 1.18 to 1.37 N-m. Tighten the screws to the specified torque. An excessive tightening torque may damage the Switch and cause a malfunction.

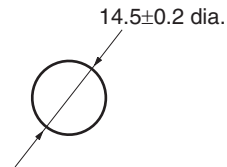
### Mounting Holes



When mounting the panel mount-type Switch with screws on a side surface, remove the hexagonal nuts from the actuator.

When mounting the panel mount type on a panel, tighten the hexagonal nuts of the actuator to a torque less than 7.85 N-m.

### Mounting Hole



Operating method, shape of cam or dog, operating frequency, and the overtravel (OT) have significant effect on the service life and precision of the Limit Switch. Make sure that the shape of the cam is smooth enough.

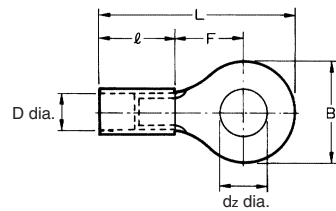
Check that OT has a sufficient margin. The actual OT should be rated OT x 0.7 to 1.

Do not change the operating position by remodeling the actuator.

## Wiring

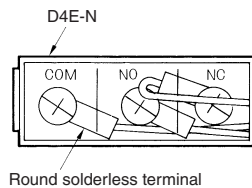
When wiring screw terminals, M3-size round solderless terminals with an insulation tube is recommended. The conductor size should be 0.75 mm<sup>2</sup> and cable diameter should be 7 mm.

Refer to the following when wiring.



dz dia.:	3.2
D dia.:	1.9
B:	5.2
L:	16.4
F:	5.8
l:	8.0 (mm)

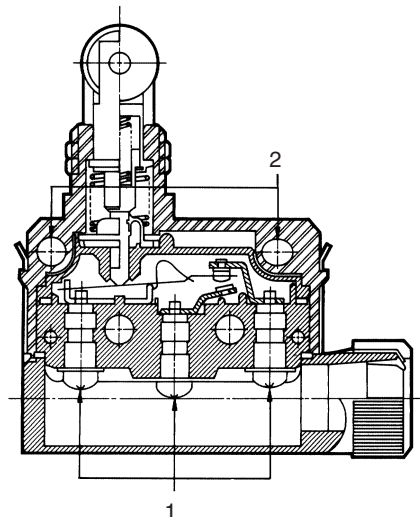
### Wiring Method



## Tightening Torque

A loose screw may result in a malfunction. Be sure to tighten each screw to the proper tightening torque as shown below.

No.	Type	Torque
1	Terminal screw (M3)	0.24 to 0.44 N·m
2	Switch mounting screw (M4)	1.18 to 1.37 N·m



ALL DIMENSIONS SHOWN ARE IN MILLIMETERS.  
 To convert millimeters into inches, multiply by 0.03937. To convert grams into ounces, multiply by 0.03527.

Cat. No. C028-E1-05

In the interest of product improvement, specifications are subject to change without notice.