

**F3S-TGR-CL2**  
**F3S-TGR-CL4**

**Finger and Hand Protection  
Sensor**  
**Safety Light Curtain Type 2**  
**Safety Light Curtain Type 4**




**INSTALLATION AND  
OPERATION MANUAL**

**OMRON**

## **Notice:**

OMRON products are manufactured for use according to proper procedures by a qualified operator and only for the purposes described in this manual.

The following conventions are used to indicate and classify precautions in this manual. Always heed the information provided with them. Failure to heed precautions can result in injury to people or damage to property.

-  **DANGER** Indicates an imminently hazardous situation which, if not avoided, will result in death or serious injury.
-  **WARNING** Indicates a potentially hazardous situation which, if not avoided, could result in death or serious injury.
-  **Caution** Indicates a potentially hazardous situation which, if not avoided, may result in minor or moderate injury, or property damage.

## **OMRON Product References**

All OMRON products are capitalized in this manual. The word “Unit” is also capitalized when it refers to an OMRON product, regardless of whether or not it appears in the proper name of the product.

## **Visual Aids**

The following headings appear in the left column of the manual to help you locate different types of information.

**Note** Indicates information of particular interest for efficient and convenient operation of the product.

**1,2,3...** 1. Indicates lists of one sort or another, such as procedures, checklists, etc.

## **© OMRON, 2009**

All rights reserved. No part of this publication may be reproduced, stored in a retrieval system, or transmitted, in any form, or by any means, mechanical, electronic, photocopying, recording, or otherwise, without the prior written permission of OMRON.

No patent liability is assumed with respect to the use of the information contained herein. Moreover, because OMRON is constantly striving to improve its high-quality products, the information contained in this manual is subject to change without notice. Every precaution has been taken in the preparation of this manual. Nevertheless, OMRON assumes no responsibility for errors or omissions. Neither is any liability assumed for damages resulting from the use of the information contained in this publication.

# ***Read and understand this document***

Please read and understand this document before using the products. Please consult your OMRON representative if you have any questions or comments.

## **WARRANTY**

OMRON's exclusive warranty is that the products are free from defects in materials and workmanship for a period of one year (or other period if specified) from date of sale by OMRON.

OMRON MAKES NO WARRANTY OR REPRESENTATION, EXPRESS OR IMPLIED, REGARDING NON-INFRINGEMENT, MERCHANTABILITY, OR FITNESS FOR PARTICULAR PURPOSE OF THE PRODUCTS, ANY BUYER OR USER ACKNOWLEDGES THAT THE BUYER OR USER ALONE HAS DETERMINED THAT THE PRODUCTS WILL SUITABLY MEET THE REQUIREMENTS OR THEIR INTENDED USE. OMRON DISCLAIMS ALL OTHER WARRANTIES, EXPRESS OR IMPLIED.

## **LIMITATIONS OF LIABILITY**

OMRON SHALL NOT BE RESPONSIBLE FOR SPECIAL, INDIRECT, OR CONSEQUENTIAL DAMAGES, LOSS OF PROFITS OR COMMERCIAL LOSS IN ANY WAY CONNECTED WITH THE PRODUCTS, WHETHER SUCH CLAIM IS BASED ON CONTRACT, WARRANTY, NEGLIGENCE, OR STRICT LIABILITY.

In no event shall responsibility of OMRON for any act exceed the individual price of the product on which liability asserted.

IN NO EVENT SHALL OMRON BE RESPONSIBLE FOR WARRANTY, REPAIR, OR OTHER CLAIMS REGARDING THE PRODUCTS UNLESS OMRON'S ANALYSIS CONFIRMS THAT THE PRODUCTS WERE PROPERLY HANDLED, STORED, INSTALLED, AND MAINTAINED AND NOT SUBJECT TO ABUSE, MISUSE, OR INAPPROPRIATE MODIFICATION OR REPAIR.

## **SUITABILITY FOR USE**

OMRON shall not be responsible for conformity with any standards, codes, or regulations that apply to the combination of products in the customer's application or use of the product.

At the customer's request, OMRON will provide applicable third party certification documents identifying ratings and limitations of use that apply to the products. This information by itself is not sufficient for a complete determination of the suitability of the products in combination with the end product, machine, system, or other application or use.

The following are some examples of applications for which particular attention must be given. This is not intended to be an exhaustive list of all possible uses of the products, nor is it intended to imply that the uses listed may be suitable for the products:

Outdoor use, uses involving potential chemical contamination or electrical interference, or conditions or uses not described in this document.

Nuclear energy control systems, combustion systems, railroad systems, aviation systems, medical equipment, amusement machines, vehicles, and installations subject to separate industry or government regulations.

Systems, machines, and equipment that could present a risk to life or property.

Please know and observe all prohibitions of use applicable to the products.

NEVER USE THE PRODUCTS FOR AN APPLICATION INVOLVING SERIOUS RISK TO LIFE OR PROPERTY WITHOUT ENSURING THAT THE SYSTEM AS A WHOLE HAS BEEN DESIGNED TO ADDRESS THE RISKS, AND THAT THE OMRON PRODUCT IS PROPERLY RATED AND INSTALLED FOR THE INTENDED USE WITHIN THE OVERALL EQUIPMENT OR SYSTEM.

## **PERFORMANCE DATA**

Performance data given in this document is provided as a guide for the user in determining suitability and does not constitute a warranty. It may represent the result of OMRON's test conditions, and the users must correlate it to actual application requirements. Actual performance is subject to the OMRON Warranty and Limitations of Liability.

### **CHANGE IN SPECIFICATIONS**

Product specifications and accessories may be changed at any time based on improvements and other reasons.

It is our practice to change model numbers when published ratings or features are changed, or when significant construction changes are made. However, some specifications of the product may be changed without any notice. When in doubt, special model numbers may be assigned to fix or establish key specifications for your application on your request. Please consult with your OMRON representative at any time to confirm actual specifications of purchased products.

### **DIMENSIONS AND WEIGHTS**

Dimensions and weights are nominal and are not to be used for manufacturing purposes, even when tolerances are shown.

### **ERRORS AND OMISSIONS**

The information in this document has been carefully checked and is believed to be accurate; however, no responsibility is assumed for clerical, typographical, or proofreading errors, or omissions.

### **PROGRAMMABLE PRODUCTS**

OMRON shall not be responsible for the user's programming of a programmable product, or any consequence thereof.

### **COPYRIGHT AND COPY PERMISSION**

This document shall not be copied for sales or promotions without permission.

This document is protected by copyright and is intended solely for use in conjunction with the product. Please notify us before copying or reproducing this document in any manner, for any other purpose. If copying or transmitting this document to another, please copy or transmit it in its entirety.

# TABLE OF CONTENTS

|   |           |
|---|-----------|
| <b>PRECAUTIONS</b> .....                              | <b>ix</b> |
| 1 Safety precautions .....                            | ix        |
| 2 Alert statements in this manual .....               | ix        |
| <br>  |           |
| <b>SECTION 1</b>                                      |           |
| <b>Important safety warnings</b> .....                | <b>1</b>  |
| <br>  |           |
| <b>SECTION 2</b>                                      |           |
| <b>Product features and indicators</b> .....          | <b>2</b>  |
| 2-1 F3S-TGR-CL feature list .....                     | 2         |
| 2-2 LED indicators .....                              | 2         |
| 2-2-1 LED indicators on transmitter .....             | 2         |
| 2-2-2 LED indicators on receiver .....                | 2         |
| <br>  |           |
| <b>SECTION 3</b>                                      |           |
| <b>System Operation</b> .....                         | <b>3</b>  |
| 3-1 Operating States .....                            | 3         |
| 3-1-1 Machine Run .....                               | 3         |
| 3-1-2 Machine Stop .....                              | 3         |
| 3-1-3 Interlock .....                                 | 3         |
| 3-1-4 Error .....                                     | 3         |
| 3-2 Operating Modes .....                             | 3         |
| 3-2-1 Automatic start .....                           | 4         |
| 3-2-2 Start/Restart Interlock .....                   | 4         |
| 3-2-3 Single break operation .....                    | 4         |
| 3-2-4 Double break operation .....                    | 4         |
| 3-2-5 Pre-reset operation .....                       | 4         |
| 3-3 F3S-TGR-CL MIX Cascaded Series .....              | 5         |
| 3-3-1 F3S-TGR-CL MIX requirements .....               | 5         |
| <br>  |           |
| <b>SECTION 4</b>                                      |           |
| <b>Detection options</b> .....                        | <b>6</b>  |
| 4-1 Blanking .....                                    | 6         |
| 4-1-1 Possible Blanking scenarios .....               | 6         |
| 4-1-2 Beam tolerance setting .....                    | 7         |
| 4-1-3 Selecting Blanking with selector switches ..... | 8         |
| 4-2 Optical synchronization .....                     | 8         |
| <br>  |           |
| <b>SECTION 5</b>                                      |           |
| <b>Diagnostic and Test Features</b> .....             | <b>9</b>  |
| 5-1 LED indicators .....                              | 9         |
| 5-2 External Device Monitoring (EDM) .....            | 9         |
| 5-3 External test function .....                      | 10        |
| 5-4 Range selection .....                             | 11        |
| 5-5 Start/Restart Input .....                         | 11        |
| 5-6 Alignment support .....                           | 11        |

**SECTION 6**

|  |           |
|--|-----------|
| <b>Setting F3S-TGR-CL features</b> .....             | <b>12</b> |
| 6-1 Access to the selector switches .....            | 12        |
| 6-1-1 Selector switch setting .....                  | 12        |
| 6-1-2 Transmitter selector switch settings .....     | 13        |
| 6-1-3 Receiver selector switch setting .....         | 14        |
| 6-2 Selecting and programming Blanking .....         | 14        |
| 6-3 Selecting External Device Monitoring (EDM) ..... | 14        |
| 6-4 Range setting .....                              | 15        |
| 6-5 Selecting Scan Codes .....                       | 15        |

**SECTION 7**

|   |           |
|---|-----------|
| <b>Outputs</b> .....                      | <b>17</b> |
| 7-1 Safety Outputs (OSSDs) .....          | 17        |
| 7-2 Safety Outputs (OSSDs) waveform ..... | 17        |

**SECTION 8**

|   |           |
|---|-----------|
| <b>Safe Mounting Distances</b> .....                                    | <b>19</b> |
| 8-1 Safety distance for safeguarding danger points .....                | 19        |
| 8-1-1 Calculation example for systems with a resolution of <40 mm. .... | 20        |
| 8-2 Safety distance for safeguarding danger areas .....                 | 21        |
| 8-3 Safety distance and beam heights in access guarding .....           | 22        |

**SECTION 9**

|   |           |
|---|-----------|
| <b>Installation</b> .....                       | <b>23</b> |
| 9-1 Reflective surface interference .....       | 23        |
| 9-2 Cross Talk Mitigation .....                 | 24        |
| 9-3 General mounting considerations .....       | 25        |
| 9-3-1 Additional Guarding. ....                 | 25        |
| 9-3-2 Mechanical installation. ....             | 25        |
| 9-3-3 Additional mounting rigidity .....        | 26        |
| 9-3-4 Mechanical mounting. ....                 | 26        |
| 9-3-5 Installation of multiple systems .....    | 27        |
| 9-3-6 Detection Zone .....                      | 27        |
| 9-3-7 Requirements for Perimeter Guarding ..... | 27        |
| 9-3-8 Marking Minimum Object Resolution. ....   | 28        |

**SECTION 10**

|  |           |
|--|-----------|
| <b>Connection to the Machine control circuit</b> ..... | <b>29</b> |
| 10-1 Input Power Requirements .....                    | 29        |
| 10-2 Cables .....                                      | 29        |
| 10-3 Basic wiring scheme .....                         | 30        |
| 10-4 Wiring to two forcibly guided relays .....        | 31        |
| 10-5 Connection to a safety relay unit .....           | 32        |

**SECTION 11**

|  |           |
|--|-----------|
| <b>Control functions</b> .....                                   | <b>33</b> |
| 11-1 Muting and override .....                                   | 33        |
| 11-1-1 Wiring .....  | 34        |
| 11-1-2 Activation and de-activation of the muting function ..... | 34        |
| 11-1-3 Muting lamp requirements .....                            | 34        |
| 11-1-4 Muting input requirements .....                           | 34        |
| 11-1-5 Muting modes .....  | 34        |
| 11-2 Partial Muting Configuration .....                          | 39        |
| 11-2-1 Setting the partial muting function .....                 | 39        |
| 11-3 Override .....  | 39        |
| 11-3-1 Override function at start-up .....                       | 40        |
| 11-3-2 Override during operation cycle .....                     | 40        |
| 11-4 Pre-reset function .....                                    | 41        |
| 11-5 Single-/Double Break function .....                         | 42        |
| 11-5-1 Single break function .....                               | 42        |
| 11-5-2 Double break function .....                               | 43        |

**SECTION 12**

|  |           |
|--|-----------|
| <b>Checkout and Test procedure</b> ..... | <b>45</b> |
| 12-1 Checkout Procedure .....            | 45        |
| 12-2 Test Procedure .....                | 45        |
| 12-3 Using the test object .....         | 45        |
| 12-4 Regular checkout and test .....     | 46        |

**SECTION 13**

|                       |           |
|-----------------------|-----------|
| <b>Cleaning</b> ..... | <b>47</b> |
|-----------------------|-----------|

**SECTION 14**

|  |           |
|--|-----------|
| <b>Specification and additional information</b> .....              | <b>48</b> |
| 14-1 Specification .....   | 48        |
| 14-2 F3S-TGR-CL standalone system Dimensional drawing .....        | 51        |
| 14-3 F3S-TGR-CL system data with 14 mm resolution .....            | 51        |
| 14-4 F3S-TGR-CL system data with 35 mm resolution .....            | 52        |
| 14-5 F3S-TGR-CL MIX system Dimensional drawing .....               | 53        |
| 14-6 F3S-TGR-CL Master system data with 14 mm resolution .....     | 54        |
| 14-7 F3S-TGR-CL Master system data with 35 mm resolution .....     | 54        |
| 14-8 F3S-TGR-CL Slave system data with 14 mm resolution .....      | 55        |
| 14-9 F3S-TGR-CL Slave system data with 35 mm resolution .....      | 55        |
| 14-10 List of models standalone models .....                       | 56        |
| 14-10-1 Safety Category 2, 14 mm resolution, Standalone unit ..... | 56        |
| 14-10-2 Safety Category 2, 35 mm resolution, Standalone unit ..... | 57        |
| 14-10-3 Safety Category 4, 14 mm resolution, Standalone unit ..... | 58        |
| 14-10-4 Safety Category 4, 35 mm resolution, Standalone unit ..... | 59        |
| 14-11 List of models in MIX operation .....                        | 60        |
| 14-11-1 Safety Category 2, 14 mm resolution, Master unit .....     | 60        |
| 14-11-2 Safety Category 2, 35 mm resolution, Master unit .....     | 60        |
| 14-11-3 Safety Category 4, 14 mm resolution, Master unit .....     | 61        |
| 14-11-4 Safety Category 4, 35 mm resolution, Master unit .....     | 61        |

---

**TABLE OF CONTENTS**

---

|  |   |           |
|--|---|-----------|
| 14-11-5  | Safety Category 2, 14 mm resolution, Slave unit . . . . .                 | 62        |
| 14-11-6  | Safety Category 2, 35 mm resolution, Slave unit . . . . .                 | 62        |
| 14-11-7  | Safety Category 4, 14 mm resolution, Slave unit . . . . .                 | 63        |
| 14-11-8  | Safety Category 4, 35 mm resolution, Slave unit . . . . .                 | 63        |
| 14-12  | Accessories . . . . .   | 64        |
| 14-12-1  | Mechanical accessories . . . . .  | 64        |
| 14-12-2  | Mirrors . . . . .   | 66        |
| 14-12-3  | Safety Relay Units . . . . .  | 66        |
| 14-12-4  | Muting Accessories . . . . .  | 67        |
| 14-12-5  | Cables . . . . .  | 69        |
| <br><b>SECTION 15</b>                            |   |           |
| <b>Glossary . . . . .</b>                        |   | <b>70</b> |
| <br><b>SECTION 16</b>                            |   |           |
| <b>Diagnostics and Troubleshooting . . . . .</b> |   | <b>71</b> |
| 16-1   | Receiver Diagnostic information . . . . .                                 | 71        |
| 16-1-1   | Normal operation . . . . .  | 71        |
| 16-1-2   | Interlock LED indication . . . . .  | 71        |
| 16-1-3   | LED error indication . . . . .  | 72        |
| 16-2   | Transmitter Diagnostic information . . . . .                              | 73        |
| 16-2-1   | Normal operation . . . . .  | 73        |
| 16-2-2   | LED error indication . . . . .  | 73        |
| <br><b>SECTION 17</b>                            |   |           |
| <b>Appendix . . . . .</b>                        |   | <b>74</b> |
| 17-1   | Checkout procedure log . . . . .  | 74        |
| 17-2   | Test procedure log . . . . .  | 75        |
| 17-3   | Wiring examples . . . . .   | 76        |
| 17-3-1   | F3S-TGR-CL and GSB-301-D in manual reset . . . . .                        | 76        |
| 17-3-2   | F3S-TGR-CL and G9SB-301-D in manual reset and Muting connection . . . . . | 77        |
| 17-3-3   | F3S-TGR-CL in combination with DST1-ID12SL1 . . . . .                     | 78        |
| 17-3-4   | F3S-TGR-CL with DST1-MD16-SL1 . . . . .                                   | 79        |
| 17-3-5   | F3S-TGR-CL and G7SA-3A1B and EDM function . . . . .                       | 80        |
| <br><b>Revision history . . . . .</b>            |   | <b>81</b> |




# PRECAUTIONS

## 1 Safety precautions


In order to use the F3S-TGR-CL system safely, the precautions listed in this manual indicated by alert symbols and descriptions must be followed. Failure to follow all precautions and alerts may result in an unsafe use or operation.


The following indications and symbols are used for the application:

-  **WARNING** This sign indicates a potentially hazardous situation which, if not avoided, will result in minor or moderate injury, or may result in serious injury or death. Additionally there may be significant property damage.


## 2 Alert statements in this manual


### 2-1 For users

-  **WARNING** The F3S-TGR-CL system must be installed, configured, and incorporated into a machine control system by a sufficiently trained and qualified person. An unqualified person may not be able to perform these operations properly, which may cause a person to go undetected, resulting in serious injury.


-  **WARNING** When changes are made to each function using the selector switches, the administrator must manage the detail of the changes and perform the changes. Accidental functional setting change may cause failure of human body detection, resulting in a serious injury.


### 2-2 For machines


-  **WARNING** Do not use this sensor for machines that cannot be stopped by electrical control. For example, do not use it for a pressing machine that uses a full-rotation clutch. Otherwise, the machine may not stop before a person reaches the hazardous part, resulting in serious injury.

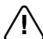




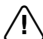







-  **WARNING** Do not use the auxiliary output or external indicator output for safety applications. A human body may not be detected when F3S-TGR-CL system fails, resulting in serious injury.









### 2-3 For installations

-  **WARNING** After unpacking and before installing the F3S-TGR-CL system please check the mechanical condition of the system carefully. Do not install a mechanically damaged product. Return this to your OMRON service for inspection or repair. Failure to do so may result in serious injury.




-  **WARNING** Do not drop the products. Dropping the products may lead to internal or external damage. Please return a F3S-TGR-CL system that was dropped on the floor to your OMRON service for inspection or repair. Failure to do so may result in serious injury.


-  **WARNING** Make sure to test the operation of the F3S-TGR-CL system after installation to verify that the F3S-TGR-CL system operates as intended. Make sure to stop the machine until the test is complete. Unintended function settings may cause a person to go undetected, resulting in serious injury.

-  **WARNING** Make sure to install the F3S-TGR-CL system at a safe distance from the hazardous part of the equipment. Otherwise, the machine may not stop before a person reaches the hazardous part, resulting in serious injury.
-  **WARNING** Install a protective structure so that the hazardous part of a machine can only be reached by passing through the sensor's detection zone. Install the sensors so that part of the person is always present in the detection zone when working in a machine's hazardous areas. If a person is able to step into the hazardous area of a machine and remain behind the F3S-TGR-CL system's detection zone, configure the system with an interlock function that prevents the machine from being restarted. Failure to do so may result in serious injury.
-  **WARNING** Install the interlock switch in a location that provides a clear view of the entire hazardous area and where it cannot be activated from within the hazardous area.
-  **WARNING** The F3S-TGR-CL system cannot protect a person from a projectile exiting the hazardous zone. Install protective cover(s) or fence(s).
-  **WARNING** To prevent personnel approaching a dangerous part of the machine through a zone disabled by the blanking function, you must install a protective structure to cover the whole disabled zone. Failure to do so may cause failure of human body detection, resulting in a serious injury.
-  **WARNING** You must ensure that a test rod is detected for all detection zones except where the blanking function is used. Failure to do so may cause failure of human body detection, resulting in a serious injury.
-  **WARNING** Detection capability gets larger if blanking function is used. You must use the detection capability for blanking functions. Failure to do so may cause failure of machine stop before reaching the machine's dangerous part, resulting in a serious injury.
-  **WARNING** The muting and override functions disable the safety functions of the device. You must ensure safety using other method when these functions are operating.
-  **WARNING** Install muting sensors so that they can distinguish between the object that is being allowed to pass through the detection zone and a person. If the muting function is activated by the detection of a person, it may result in serious injury.
-  **WARNING** Muting lamps (external indicators) that indicate the state of the muting and override functions must be installed where they are clearly visible to workers from all the operating positions.
-  **WARNING** A sufficiently trained and qualified person must properly configure muting related timings for its specific application, and that person must have responsibility for settings, especially when the muting time limit is infinite.
-  **WARNING** Use two independent input devices for muting inputs.
-  **WARNING** You must install F3S-TGR-CL system muting sensor, and physical barrier, and configure time settings for muting so that an operator can not enter hazardous zone.


-  **WARNING** Install the switch that activates the override in a location that provides a clear view of the entire hazardous area and where it cannot be activated from within the hazardous area. Make sure that nobody is in the hazardous area before activating the override function.
-  **WARNING** Do not place fluorescent and/or incandescent lights within the effective aperture angle of the receiver, as it may influence the F3S-TGR-CL system under certain circumstances.
-  **WARNING** Install the sensor system so that it is not affected by any reflective surfaces. Failure to do so may hinder detection, resulting in serious injury.
-  **WARNING** When using more than 1 set of F3S-TGR-CL system, install them so that mutual interference does not occur, such as by configuring series connections or using physical barriers between adjacent sets.
-  **WARNING** Make sure that the F3S-TGR-CL system is securely mounted and its cables and connectors are properly connected.
-  **WARNING** Make sure that foreign objects such as water, oil, or dust do not enter the inside of the F3S-TGR-CL system while the cover for the selector switches is open and tighten the screws of the cover firmly after changing the settings.
-  **WARNING** Do not use the sensor system with mirrors in a retro-reflective configuration. Doing so may hinder detection. It is possible to use mirrors to "bend" the detection zone to a 90° angle.
-  **WARNING** Perform an inspection for all F3S-TGR-CL systems as described in the chapter "Checkout and test procedure". When using series connections, perform inspections for every connected F3S-TGR-CL system.


## 2-4 For wiring

-  **WARNING** Do not short-circuit the output line to the +24 V line. Otherwise, the output is always ON. Also, the 0 V of the power supply must be grounded so that the output does not turn ON due to grounding of the output line.
-  **WARNING** Configure the system by using the optimal number of safety outputs that satisfy the requirements of the necessary safety category.
-  **WARNING** Do not connect each line of F3S-TGR-CL system to a DC power supply of more than 24 VDC+20%. Also, do not connect to an AC power supply. Failure to do so may result in electric shock.


 **WARNING** For the F3S-TGR-CL system to comply with IEC 61496-1 and UL 508, the DC power supply unit must satisfy all of the following conditions:


- Must be within the rated power voltage (24 V DC  $\pm$  20%)
- Must have tolerance against the total rated current of devices if it is connected to multiple devices
- Must comply with EMC directives (industrial environment)
- Double or reinforced insulation must be applied between the primary and secondary circuits
- Automatic recovery of overcurrent protection characteristics
- Output holding time must be 200 ms or longer
- Must satisfy output characteristic requirements for class 2 circuit or limited voltage current circuit defined by UL508
- Must comply with laws and regulations, regarding EMC and electrical equipment safety, of the country or region where the F3S-TGR-CL system is used (Ex: In EU, the power supply must comply with the EMC Directive and the Low Voltage Directive.)


 **WARNING** Double or reinforced insulation from hazardous voltage must be applied to all input and output lines. Failure to do so may result in electric shock.


 **WARNING** Extension of the cable must be within a specified length. If it isn't, safety function may not work properly, resulting in danger.


## 2-5 Other


 **WARNING** To use the F3S-TGR-CL system in PSDI mode (Re-initiation of cyclic operation by the protective equipment), you must configure an appropriate circuit between the F3S-TGR-CL system and the machine.


 **WARNING** Do not try to disassemble, repair, or modify this product. Doing so may cause the safety functions to stop working properly.

 **WARNING** Do not use the F3S-TGR-CL system in environments where flammable or explosive gases are present. Doing so may result in an explosion.

 **WARNING** Perform daily and 6-monthly inspections for the F3S-TGR-CL system. Otherwise, the system may fail to work properly, resulting in serious injury.

 **WARNING** If the F3S-TGR-CL system is used in an environment where foreign materials such as spatter may adhere to the product, use a cover to protect the F3S-TGR-CL system or inspect and clean the F3S-TGR-CL system periodically.

 **WARNING** Do not use the F3S-TGR-CL system in an atmosphere containing oil mist or corrosive gas. Failure to do so may result in damage of the product.

 **WARNING** When scrapping the F3S-TGR-CL system, please make sure to comply with the waste treatment regulations of the country where the product has been used.

## 2-6 Precautions for Safe Use

Make sure to observe the following precautions that are necessary for ensuring safe use of the product.

- Thoroughly read this manual and understand the installation procedures, operation check procedures, and maintenance procedures before using the product.
- Loads must satisfy both of the following conditions:
  - Not short-circuited
  - Not used with a current that is higher than the rating
- Do not drop the product
- Dispose of the product in accordance with the relevant rules and regulations of the country or area where the product is used.

## 2-7 Precautions for Correct Use

Observe the precautions described below to prevent operation failure, malfunctions, or undesirable effects on product performance.

## 2-8 Installation environment


Do not install the F3S-TGR-CL system in the following types of environments:

- Areas exposed to intense interference light, such as direct sunlight
- Areas with high humidity where condensation is likely to occur
- Areas where corrosive gases are present
- Areas exposed to vibration or shock levels higher than in the specification provisions
- Areas where the product may come into contact with water
- Areas where the product may come into contact with oil that is an adhesive solvent

Do not use radio equipment such as cellular phones, walkie-talkies, or transceivers near the F3S-TGR-CL system.

## 2-9 Wiring and installation

- Make sure to perform wiring while the power supply is OFF. Otherwise, the F3S-TGR-CL system may fail to operate due to the diagnosis function.
- When replacing the cable connectors with other types of connectors, use connectors that provide a proper grade of protection.
- Properly perform the wiring after confirming the signal names of all the terminals.
- Do not operate the control system until 2 seconds or more (2.2 seconds or more in case of series connection) after turning ON the power of the F3S-TGR-CL system.
- Be sure to route the F3S-TGR-CL system cable separate from high-potential power lines or through an exclusive conduit.
- When using a commercially available switching regulator power supply, make sure to ground the FG terminal (frame ground terminal).
- Install the transmitter and receiver so that their vertical direction should match.

 **WARNING** When substituting/replacing the F3S-TGR-CL system with an equivalent F3S-TGR-CL system, remember to set the dip-switches of the new F3S-TGR-CL system the same as the old one. Failure to do so may cause serious injury.

## 2-10 Cleaning










Do not use thinner, benzene, or acetone for cleaning, they affect the product's resin parts and paint on the case.

## 2-11 Object detection

The F3S-TGR-CL system cannot detect transparent and/or translucent objects.


## 2-12 Definition of symbols

The following symbols are used to illustrate user operations in the F3S-TGR-CL system.

| SYMBOL  | MEANING  |
|---|--|
|    | Turn OFF the entire F3S-TGR-CL system by removing the power supply.  |
|    | Turn ON the entire F3S-TGR-CL system by activating power supply.     |
|    | Set the selector switches accordingly                                |
|    | Press the related pushbutton/command (change from its normal status) |
|   | Release the related pushbutton/command (return to its normal status) |
|  | Diagnosis LED off  |
|  | Diagnosis LED on   |
|  | Diagnosis LED blinking   |
|  | Important information  |

# SECTION 1

## Important safety warnings

 **WARNING** Read and understand this section prior to installing an F3S-TGR-CL system.

A F3S-TGR-CL system is a general purpose sensing device designed to guard personnel working around moving machinery.

Whether a specific machine application and F3S-TGR-CL system installation complies with safety regulations depends on the proper application, installation, maintenance and operation of the F3S-TGR-CL system. These items are the responsibility of the purchaser, installer and employer.

The employer is responsible for the selection and training of personnel to properly install, operate and maintain the machine and its safeguarding systems. A F3S-TGR-CL system should only be installed verified and maintained by a qualified person. A qualified person is defined as "an individual who understands, is trained on, and demonstrates competence with the construction, operation or maintenance of the machinery and the hazards involved."

To use the F3S-TGR-CL system the following requirements must be met:

- The national/international rules and regulations apply to the installation, use and periodic technical inspections of the safety light curtain, in particular:
  - Machine Directive (98/37/EC and 2006/42/EC)
  - Equipment Usage Directive (89/655/EC)
  - The work safety regulations/safety rules
  - Other relevant health and safety regulations
- Observe the instructions in this manual regarding test regulations (e.g. on use, mounting, installation or integration into the existing machine control system) carefully.
- The tests must be carried out by specialist personnel or specially qualified and authorized personnel and must be recorded and documented to ensure that the tests can be reconstructed and retraced at any time.
- Check the effectiveness of the protective device after every change because a change may degrade the safety function.
- The operating instructions must be made available to the operator of the machine where the F3S-TGR-CL system is installed.
- The machine operator is to be instructed in the use of the device by specialist personnel and must be instructed to read the operating instructions.
- The guarded machine must not present a hazard from flying parts.
- The guarded machine must have a consistent stopping time and adequate control mechanisms.
- Additional guarding may be required for access to dangerous areas not covered by the F3S-TGR-CL system.

### Protection of the environment

This product has been designed to minimize environmental impact. For this reason please note that disposal of irreparable/unserviceable devices has to be in compliance with your local/national rules and regulations. Please contact your local OMRON sales representative for assistance.

## SECTION 2

### Product features and indicators

#### 2-1 F3S-TGR-CL feature list

The F3S-TGR-CL safety light curtain family is available in two versions. These versions are identified as the F3S-TGR-CL\_A and F3S-TGR-CL\_B versions. Configuration of the safety light curtains can be changed through selector switches located under an access cover.


F3S-TGR-CL series feature comparison:

| Feature                                  | F3S-TGR-CL_B | F3S-TGR-CL_A |
|--|--------------|--------------|
| Scan Code for Cross-Talk-Mitigation      | X            | X            |
| EDM External Device Monitoring           | X            | X            |
| Adjustable Mounting Brackets and T-Slots | X            | X            |
| Two PNP safety outputs                   | X            | X            |
| Range Selection                          | X            | X            |
| External test initiation                 | X            | X            |
| Integrated muting function               |              | X            |
| Floating Blanking                        |              | X            |
| Single/double break operation            |              | X            |
| Pre-reset operation                      |              | X            |
| Master/Slave cascaded systems            |              | X            |


#### 2-2 LED indicators

LED indicators are located in the connector end caps to show the status of the F3S-TGR-CL system.

##### 2-2-1 LED indicators on transmitter

| Disposition of indicator  | Name of indicator | Colour |
|---|-------------------|--------|
|  | POWER             | Green  |
|   | STATUS 1          | Yellow |
|   | RANGE             | Green  |
|   | Not used          | Red    |
|   | STATUS 2          | Yellow |

##### 2-2-2 LED indicators on receiver

| Disposition of indicator  | Name of indicator | Colour |
|---|-------------------|--------|
|  | POWER             | Green  |
|   | STATUS            | Yellow |
|   | GUARD             | Green  |
|   | BREAK             | Red    |
|   | INTERLOCK         | Yellow |



## SECTION 3

# System Operation

The F3S-TGR-CL system is a microprocessor-controlled, infrared, transmitted-beam safety light curtain. The system consists of a receiver assembly and a transmitter assembly. The receiver and transmitter assemblies are not physically interconnected.

It complies with a Type 2 or Type 4 according to EN/IEC 61496 and Category 2 or Category 4 according to EN954-1, depending on the model .

A F3S-TGR-CL system is used where personnel protection is required, typical applications include packaging machines, front- or back side protection of presses and textile machinery.

### 3-1 Operating States

The operating condition of a F3S-TGR-CL system is described in terms of states. The following operating states exist for a F3S-TGR-CL system.

#### 3-1-1 Machine Run

The two receiver safety outputs are in the ON state, the green GUARD indicator is lit. The protected machine is allowed to operate. Pressing and releasing the restart button has no effect.

#### 3-1-2 Machine Stop

The two receiver safety outputs are in the OFF state the red BREAK indicator is lit. The protected machine is not allowed to operate.

#### 3-1-3 Interlock

The two receiver safety outputs are in the OFF state, the red BREAK indicator and yellow INTERLOCK indicator are lit. The INTERLOCK state does not allow the protected machine to operate until the detection zone is clear of obstructions and the restart button is pressed and released.

#### 3-1-4 Error

The two receiver safety outputs are in the OFF state, an error code is shown via the blinking indicators. The error state does not allow the protected machine to operate. The primary difference between ERROR and INTERLOCK is that the F3S-TGR-CL system will remain in the error state until the error is corrected, and then applying a power cycling or an external restart button press and release.

### 3-2 Operating Modes


System operating modes determine the start-up and operating behavior of a F3S-TGR-CL system. Operating modes definitions rely on the operating states presented above. Operating mode selection may be performed via the configuration switches on the F3S-TGR-CL transmitter and receiver.

**Note** If internal errors are detected by the system during power-up or operation, it will enter the Error state with its safety outputs in the OFF state.

### 3-2-1 Automatic start

The F3S-TGR-CL will power-up with its safety outputs OFF, and if the detection zone is not obstructed, enters the MACHINE RUN state. In this state, when an object is sensed entering the detection zone, the F3S-TGR-CL system will change from MACHINE RUN to MACHINE STOP and remain in this state until the obstruction is removed. Once the detection zone is clear, the F3S-TGR-CL system will automatically change from MACHINE STOP to MACHINE RUN.

### 3-2-2 Start/Restart Interlock

 **WARNING** The TEST/RESTART button must be located so that the operator can see the protected area when restarting, testing or overriding.

The F3S-TGR-CL will power-up with its safety outputs off and enter the INTERLOCK state if the detection zone is clear. To initially enter the MACHINE RUN state the operator must press and release the Restart button. Once in the MACHINE RUN state, when an object is sensed entering the detection zone, the system will change to the MACHINE STOP state. When the detection zone is cleared, the system will not automatically change to MACHINE RUN but enter the INTERLOCK state instead. The operator must always press and release the Restart button to enter MACHINE RUN. If the detection zone is not clear the Restart button will have no effect.

### 3-2-3 Single break operation

This operation mode can be used on small press machines where the operator is doing a loading or unloading cycle manually. The F3S-TGR-CL will power-up with its safety outputs off and enter the INTERLOCK state if the detection zone is clear. F3S-TGR-CL system will enter the MACHINE RUN state when the detection zone was entered and cleared again. It will change to INTERLOCK state automatically when one cycle of the machine is finished. The cycle can be restarted by entering and clearing the detection zone again.

### 3-2-4 Double break operation

This operation mode is similar to single break operation except: Operator is doing a loading and an unloading cycle manually. F3S-TGR-CL system will enter the MACHINE RUN state when the detection zone was entered and cleared again twice.

### 3-2-5 Pre-reset operation

The Pre-Reset function is used in installations where operators inside the dangerous zone can be hidden by parts of the installation. A second Reset pushbutton (Pre-reset) is added inside the dangerous zone. Before leaving the dangerous zone, the operator has to operate the Pre-reset pushbutton. This enables the Restart pushbutton outside the dangerous zone.

The F3S-TGR-CL will power-up with its safety outputs off and enter the INTERLOCK state if the detection zone is clear. To initially enter the MACHINE RUN state the operator must press and release the Pre-reset and Restart button. Once in the MACHINE RUN state, when an object is sensed entering the detection zone, the system will change to the MACHINE STOP state. When the detection zone is cleared, the system will not automatically change to MACHINE RUN but enter the INTERLOCK state instead. The operator must always press and release the Pre-reset and the Restart button in this sequence to enter MACHINE RUN. If the detection zone is not clear the Pre-reset or Restart button will have no effect.

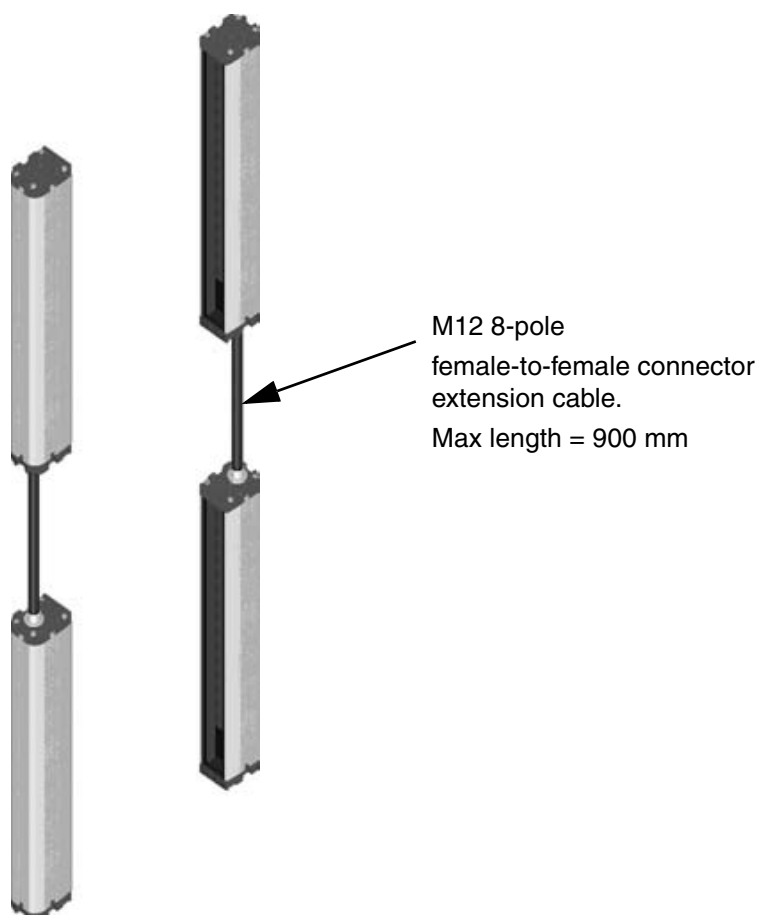
### 3-3 F3S-TGR-CL MIX Cascaded Series

The F3S-TGR-CL series safety light curtain is available in a cascaded version, referred to as the F3S-TGR-CL MIX series. The F3S-TGR-CL MIX series allows multiple transmitters/receivers to be daisy-chained in series. This type of arrangement permits the F3S-TGR-CL MIX to guard multiple areas of a machine.

#### 3-3-1 F3S-TGR-CL MIX requirements

The F3S-TGR-CL MIX is offered in protective heights ranging from 150 mm up to 2250 mm for 14 mm and 35 mm resolution.

- A F3S-TGR-CL MIX system has a maximum size limitation based on the number of beams. A master/slave system cannot exceed the total length of 2400 mm.
- Possible combinations are shown in the list of models in section "X".
- A F3S-TGR-CL MIX system is made of one master segment and one slave segment.
- The interconnect cable length limitation between the two segments is 900 mm.
- Master and Slave segment in a F3S-TGR-CL MIX system use the same optical resolution.



## SECTION 4 Detection options

**⚠ WARNING** Use of Blanking will make a F3S-TGR-CL system less sensitive to objects in the detection zone. Improper use of this feature can result in severe injury to personnel.

**⚠ WARNING** Blanking may require an additional hard barrier guard.

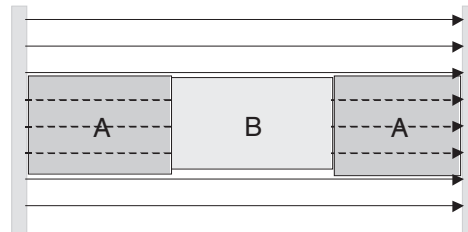
**⚠ WARNING** Blanking may require an increase in the safety distance. Read the following section carefully.

### 4-1 Blanking

A selectable number of optical channels can be obstructed at any location in the detection zone as long as the optical synchronization is maintained. The beam opposite side to the connector end-cap is used for optical synchronization and cannot be blanked.

An object can freely float from one end of the protective field to the other without the F3S-TGR-CL system entering the MACHINE STOP state. The obstructed channels are not fixed at a single location but "float" through the detection zone. It is possible to have multiple blanked areas of different sizes. Setting of Blanking is done by a teach-in.

Example using additional mechanical guarding:



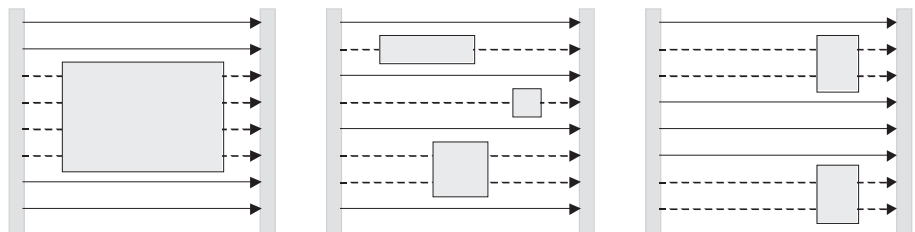
Where

A = additional mechanical guard

B = machine part that permanently blocks 3 beams, eg. a support table

#### 4-1-1 Possible Blanking scenarios

**⚠ WARNING** All three situations will lead to a valid Blanking condition. Please check your application carefully. Failure to do so may result in serious injury.



The F3S-TGR-CL system is monitoring the number of blocked beams. The position of the object(s) is not monitored.

There are two limitations for the Blanking function:

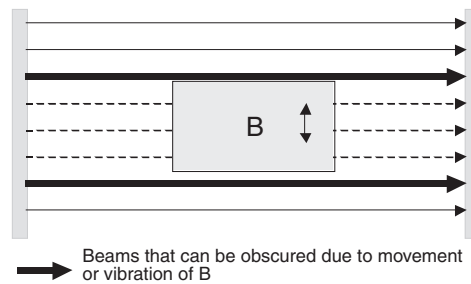
1. Maximum percentage of blanked beams out of total beams is 30%
2. Maximum number of blanked beams is 21.

The Blanking function is active as long as the beams obstructed during the teach-in remain blocked. If the number of beams obstructed is higher or lower, the F3S-TGR-CL system will change to ERROR state with the "LOWER" and "BREAK" LEDs blinking. To reset this error, press and release the TEST/RESTART pushbutton when the object is in the detection zone again.

### 4-1-2 Beam tolerance setting

**⚠ WARNING** Different pattern tolerances influence the resolution of the system and require an increase in the safety distance. Read the following section carefully.

Machine parts or the objects that obscure the detection zone can move or vibrate. This causes tolerances in the beam pattern.



The F3S-TGR-CL system includes different beam tolerance settings via the selector switches to cover these requirements:



Object that can obscure one beam more than the blanked area



Object that can move along the sensing area

Resolution in Blanking modes:

| Name        | Tolerance       | Resolution     |                |
|-------------|-----------------|----------------|----------------|
|             |                 | F3S-TGR-CL-014 | F3S-TGR-CL-035 |
| Blanking ±1 | Pattern ±1 beam | 28 mm          | 70 mm          |
| Blanking +1 | Pattern +1 beam | 21 mm          | 53 mm          |
| Blanking ±0 | Pattern         | 14 mm          | 35 mm          |

**Note** Muting and Blanking function can be used in combination in two configurations:

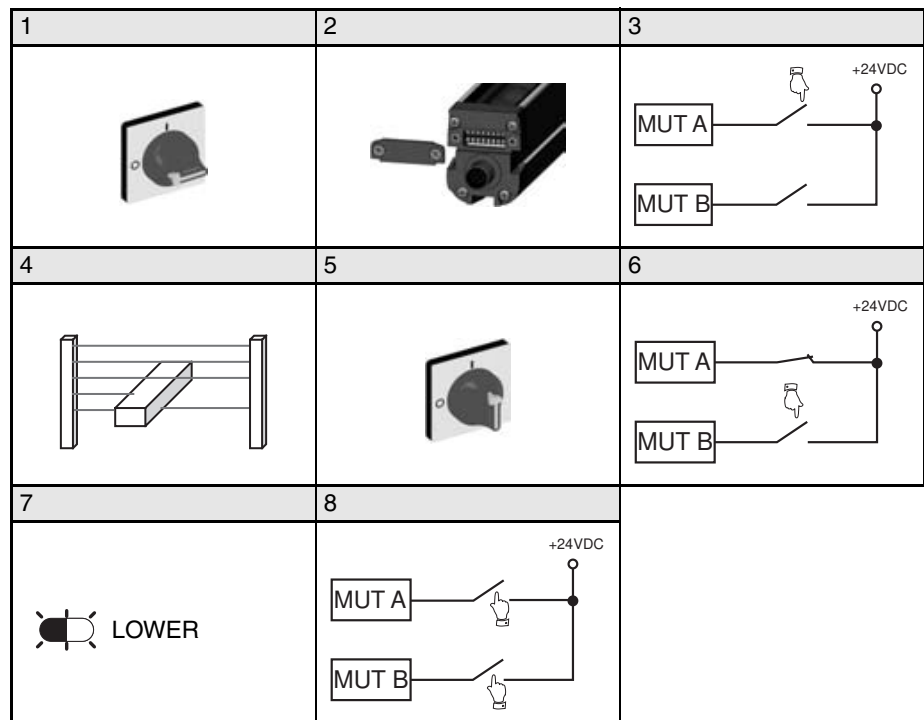
- Muting is active on all modules and muting activation sequence T is used
- Muting is active on all modules and muting activation sequence L is used

**⚠ WARNING** Clearly mark the resolution of the F3S-TGR-CL system after setting the blanking mode on the label of the transmitter and receiver element of the F3S-TGR-CL system and re-calculate the safety distance if necessary.

### 4-1-3 Selecting Blanking with selector switches

Using the selector switches an authorized user can activate the Blanking function as follows:

To set the Blanking function, place an object in the detection zone and follow this sequence:



To clear the Blanking function, repeat above sequence without the object. The "LOWER" LED will not blink if the reset was successful.

## 4-2 Optical synchronization

The synchronization between the F3S-TGR-CL system transmitter and receiver is optical synchronization. To establish synchronization the system needs to have the beam opposite side of the connector end cap clear. If this beam is blocked, the system will enter a MACHINE STOP state. This restriction needs to be considered in blanking operation as well.

# SECTION 5

## Diagnostic and Test Features

### 5-1 LED indicators

All F3S-TGR-CL systems have visible LED on the receiver element to show the proper alignment of the system. These LEDs are used during alignment process and they are not part of the safety critical system. A failure in one of these indicators will not cause an alarm condition and the system will continue to operate.

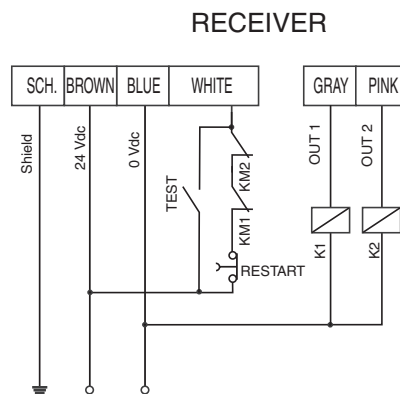
### 5-2 External Device Monitoring (EDM)

EDM is an important safety function. It monitors the F3S-TGR-CL system interface to the guarded machine, checks to ensure that the control elements are responding correctly to the light curtain and detects any inconsistency between the two external control devices. This is necessary to detect a malfunction within the interface which prevents a stop signal from reaching the machine controller. The connection for the EDM is made at the receiver. On power-up, the F3S-TGR-CL system looks for a closed to +24VDC condition. If this is found, it will enter a state consistent with the selected operating mode. When the F3S-TGR-CL system enables its safety outputs, it monitors the external devices for a closed to open transition. This transition must occur within 300ms or the F3S-TGR-CL system will then enter an alarm state. Additionally, if the EDM connections are incorrectly wired, the system will enter an alarm state.

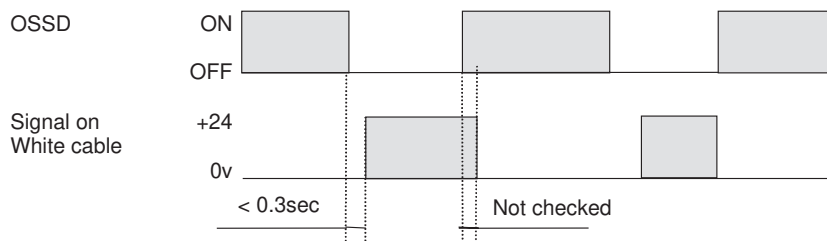
The EDM function can be activated and deactivated using the selector switches on the receiver unit.

Wiring diagram:

K1 and K2 are standard contactors, KM1 and KM2 are NC contacts (forcibly guided) of K1 and K2.



Timing diagram:



### 5-3 External test function

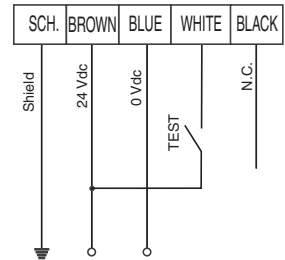
Some applications require that the machine guarding system be tested by the machine controller during a non-hazardous portion of the machine cycle to verify that the guarding system is functioning properly. F3S-TGR-CL system offers a test function on the transmitter or on the receiver element.

Transmitter:

The test function is provided by placing a normally-open switch on the test input of the transmitter. If the transmitter recognizes a +24VDC signal, a beam block state will be simulated on the transmitter and the receiver will enter the MACHINE STOP state.

Wiring diagram:

TRANSMITTER



Receiver:

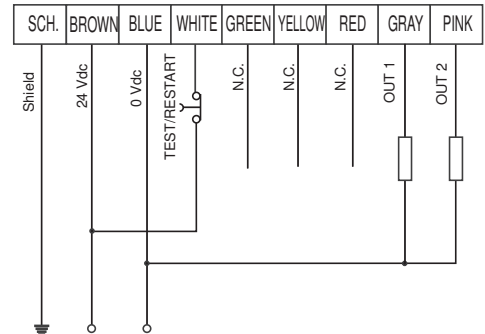
The test function is provided by placing a switch on the test/restart input of the receiver.

If the outputs are in OFF state, the system will run a start-up-test and if the beams are free, it will change to MACHINE RUN state.

If the outputs are in ON state and the test/restart input is activated for more than 2sec., the system will enter MACHINE STOP state and run a start-up-test (for Category 2 control systems).

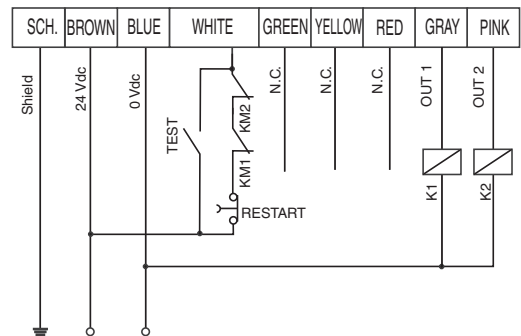
Wiring diagram with EDM disabled:

RECEIVER



Wiring with EDM enabled:

RECEIVER





### 5-4 Range selection

The F3S-TGR-CL system offers operating range selection. Please refer to the detailed technical data in the list of models. This function is useful when there are many light curtains operating within a small space and the possibility of cross-talk is likely.

### 5-5 Start/Restart Input

The characteristic of the Start/Restart Input is shown in the following schematic:



### 5-6 Alignment support

Alignment of the F3S-TGR-CL system is supported by the alignment support mode.

| 1   | 2  | 3   | 4  |
|---|--|---|--|
|   | <div style="border: 1px solid black; padding: 2px; display: inline-block;">WHITE</div><br>Leave disconnected |   | Mechanically adjust sensors to reach the alignment if necessary. |
| 5   | 6  | 7   | 8  |
| When alignment Ok:<br>POWER<br>STATUS<br>GUARD<br>INTERLOCK |  | <div style="border: 1px solid black; padding: 2px; display: inline-block;">WHITE</div><br>Reconnect |  |

## SECTION 6

### Setting F3S-TGR-CL features

**⚠ WARNING** Make sure that foreign objects such as water, oil, or dust do not enter the inside of the F3S-TGR-CL system while the cover for the selector switches is open.

#### 6-1 Access to the selector switches

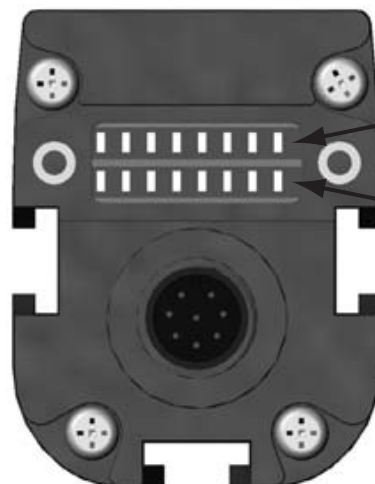
The switches are located behind a cover on both the transmitter and receiver. The covers are opened by loosening two retaining screws (see illustration below).

Disconnect the power supply before changing the switch settings.



##### 6-1-1 Selector switch setting

= dip-switch level position



|     | 1 | 2 | 3 | 4 | 5 | 6 | 7 | 8 |
|-----|---|---|---|---|---|---|---|---|
| OFF |   |   |   |   |   |   |   |   |
| ON  |   |   |   |   |   |   |   |   |

|     | 1 | 2 | 3 | 4 | 5 | 6 | 7 | 8 |
|-----|---|---|---|---|---|---|---|---|
| OFF |   |   |   |   |   |   |   |   |
| ON  |   |   |   |   |   |   |   |   |

OFF is the upper position and ON is the lower position.

**Note** Make sure to always set switches in both banks to the same position (except switch 7 on the receiver).

**6-1-2 Transmitter selector switch settings**

Selector switches 5 - 8 are not used in the transmitter.

| Switch Position | Setting | Function       |             | Default |
|-----------------|---------|----------------|-------------|---------|
| 1               | OFF     | RANGE SETTING  | X           |         |
|                 | ON      |                | SHORT RANGE | X       |
| 2               | OFF     | RANGE SETTING  | X           | X       |
|                 | ON      |                | LONG RANGE  |         |
| 3               | OFF     | CODE SETTING   | NO CODING   | X       |
|                 | ON      |                | CODING      |         |
| 4               | OFF     | CODE SELECTION | CODE A      |         |
|                 | ON      |                | CODE B      |         |

Please refer to the table below for the range setting:

| SW-1 | SW-2 | Range selected |
|------|------|----------------|
| OFF  | OFF  | NOT ALLOWED    |
| OFF  | ON   | LONG RANGE     |
| ON   | OFF  | SHORT RANGE    |
| ON   | ON   | NOT ALLOWED    |

### 6-1-3 Receiver selector switch setting

| Switch  | Status |     | Function  |                                      |
|---|--------|-----|---|--------------------------------------|
| 8   | OFF    |     | Manual reset                                    | Single break if SB/DB selected       |
|   | ON     |     | Automatic reset                                 | Double break if SB/DB selected       |
| 7   | OFF    |     | Refer to CODING section for further information |                                      |
|   | ON     |     |   |                                      |
| 6   | OFF    |     | EDM function disabled                           |                                      |
|   | ON     |     | EDM function enabled                            |                                      |
| 5 + 4 <sup>1</sup>  | 4      | 5   | <b>MUTING and SPECIAL FUNCTIONS</b>             |                                      |
|   | OFF    | OFF | MUTING T  |                                      |
|   | OFF    | ON  | MUTING L  |                                      |
|   | ON     | OFF | MUTING X  |                                      |
|   | ON     | ON  | SPECIAL FUNCTION WITH Switches 1, 2 and 3       |                                      |
| <b>MUTING MAPS when MUTING T, L or X are selected on switches 4 and 5<sup>2</sup></b> |        |     |   |                                      |
| 3 + 2 + 1   | 1      | 2   | 3   |                                      |
|   | OFF    | OFF | OFF   | Muting active over all light curtain |
|   | OFF    | OFF | ON  | Muting active on module 1,2,3 and 4  |
|   | OFF    | ON  | OFF   | Muting active on module 1,2 and 3    |
|   | OFF    | ON  | ON  | Muting active on module 1 and 2      |
|   | ON     | OFF | OFF   | Muting active on module 1            |
|   | ON     | OFF | ON  | Muting active on module 2            |
|   | ON     | ON  | OFF   | Muting active on module 3            |
| ON  | ON     | ON  | Muting active on module 4                       |                                      |
| <b>Special functions selection when switches 4 and 5 are both ON<sup>3</sup></b>      |        |     |   |                                      |
| 3 + 2 + 1   | 1      | 2   | 3   |                                      |
|   | OFF    | OFF | OFF   | Blanking ±1 beam with T muting       |
|   | OFF    | OFF | ON  | Blanking +1/-0 beam with T muting    |
|   | OFF    | ON  | OFF   | Blanking ±0 beam with T muting       |
|   | OFF    | ON  | ON  | Blanking ±1 beam with L muting       |
|   | ON     | OFF | OFF   | Blanking +1/-0 beam with L muting    |
|   | ON     | OFF | ON  | Blanking ±0 beam with L muting       |
|   | ON     | ON  | OFF   | Pre-Reset mode                       |
| ON  | ON     | ON  | Single/double break. Change meaning of dip 8    |                                      |

1. Selector switches 4 and 5 are operational if a muting indicator is connected or both are set to the ON position.
2. Selector switches 1, 2 and 3 are operational if a muting function is set and a muting indicator is connected.
3. Selector switches 1, 2 and 3 are operational if selector switches 4 and 5 are in ON position.

## 6-2 Selecting and programming Blanking






Refer to *Blanking* on page 6 for details on selecting and programming Blanking function.

## 6-3 Selecting External Device Monitoring (EDM)

EDM is activated by setting position 6 of Switches A and B located on the receiver. Any mismatch between the settings of Switches A and B will result in an alarm condition.

## 6-4 Range setting

Operating range is set using switches 1 and 2 on the transmitter. Please refer to the table for valid switch position settings.

|   |   |                       |  |
|---|---|-----------------------|--|
| 1   | 2   | 3                     |  |
|  | <br>TX   | 1 -> ON<br>2 -> OFF   |  |
|   |   | 1 -> OFF<br>2 -> ON   |  |
|   |   | SHORT RANGE SELECTION |  |
|   |   | LONG RANGE SELECTION  |  |
| 4   | 5   |                       |  |
|  |  RANGE: → LONG RANGE<br> RANGE: → SHORT RANGE |                       |  |

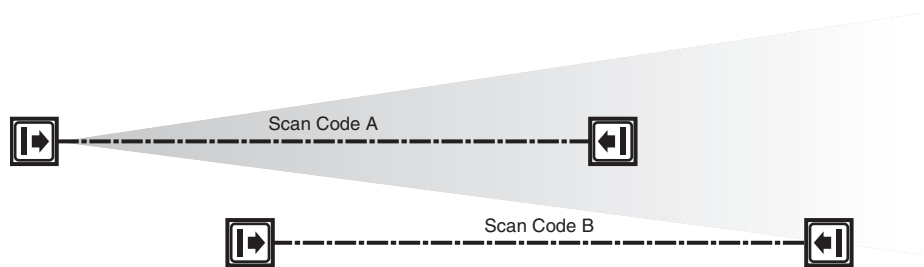
**⚠ WARNING** Never use a long range light curtain for distances under the operating range. Failure to do so may cause serious injury.

## 6-5 Selecting Scan Codes






The F3S-TGR-CL receiver and transmitter offer scan code selection to minimize cross talk.

**Note** Both receiver and transmitter must be set to the same code.

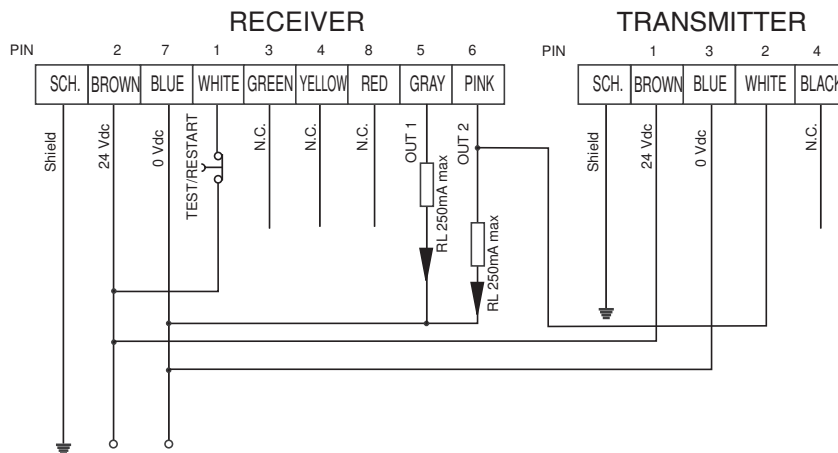
Example:



Sequence to activate Scan Codes:

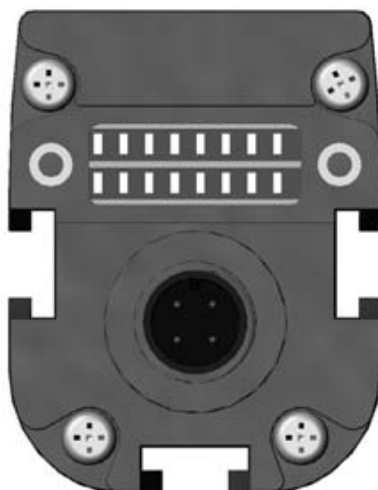
|   |  |   |   |   |
|---|--|---|---|---|
| 1   | 2  | 3   | 4   | 5   |
|  | <br>TX/RX | Connect white wire of TX to pink wire of RX SLC |  |  all LEDs 1 time = CODE A<br> all LEDs 2 times = CODE B |

Wiring diagram when Scan codes are used:



**Note** Please make sure that the total cable length between the two units is not longer than 100 m when coding is used .

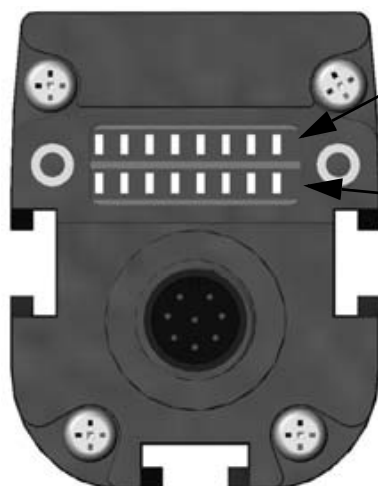
Transmitter Scan Code setting, using switches 3 and 4:



| SWITCH 3 |                              |
|----------|------------------------------|
| OFF      | No code (exclusion of dip 4) |
| ON       | CODE ON                      |

| SWITCH 4 |        |
|----------|--------|
| OFF      | CODE A |
| ON       | CODE B |

Receiver Scan Code setting, using switch 7:



| UPPER SWITCH BANK 7 |        |
|---------------------|--------|
| OFF                 | CODE A |
| ON                  | CODE B |

| LOWER SWITCH BANK 7 |  |
|---------------------|--|
| OFF                 | No code (exclusion of dip 7 on upper bank) |
| ON                  | Code                                       |

## SECTION 7 Outputs

### 7-1 Safety Outputs (OSSDs)

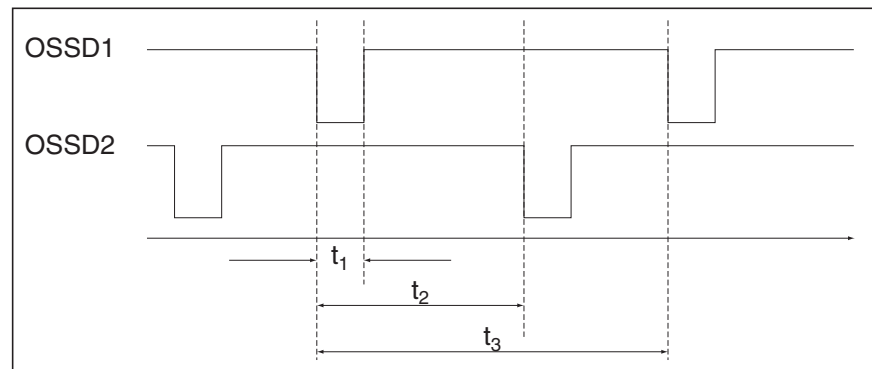
**Note** This product is designed for use on a 24 VDC, negative ground (protective earth) electrical system only. Never connect the F3S-TGR-CL system to a positive ground (protective earth) system. With a positive ground (protective earth) wiring scheme, certain simultaneous shorts of both safety outputs may not be detected and the guarded machine may not stop, resulting in severe operator injury.

The F3S-TGR-CL system receiver supplies two independent PNP type safety outputs to provide run/stop signals to the guarded machine. In the MACHINE RUN state, the safety outputs are electrically conducting and source 250mA of current at 24 VDC. In the MACHINE STOP state, the outputs are not electrically conducting.

For loads higher than 250 mA for each OSSD or AC current, please use external safety relay units or forcibly guided safety relays and enable the EDM function.

### 7-2 Safety Outputs (OSSDs) waveform

Normal conditions MACHINE RUN state



F3S-TGR-CL in MACHINE RUN state, no coding selected

$t_1$ : Test pulse  $\leq 300 \mu\text{s}$

$t_2$ : Test interval = Response time  $\times 0.33$

$t_3$ : Repetition = Response time  $\times 0.66$

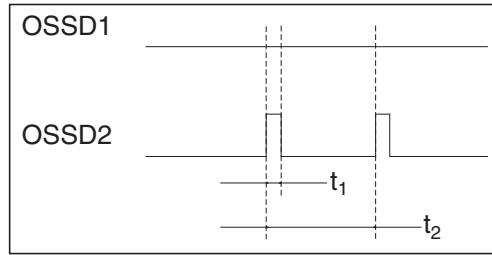
F3S-TGR-CL in MACHINE RUN state, coding selected

$t_1$ : Test pulse  $\leq 300 \mu\text{s}$

$t_2$ : Test interval = Response time  $\times 0.33$

$t_3$ : Repetition = Response time  $\times 0.16$

F3S-TGR-CL in MACHINE STOP state, coding selected



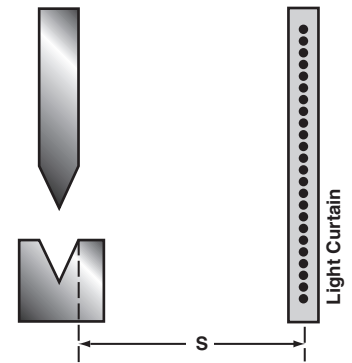
t<sub>1</sub> Test pulse ≤ 70 μs

t<sub>2</sub> Test interval ≤ 33 ms



## SECTION 8 Safe Mounting Distances

**⚠ WARNING** Never install an F3S-TGR-CL system without regard to the safety distance. If the F3S-TGR-CL system is mounted too close to the point of operation hazard, the machine may not stop in time to prevent an operator injury.

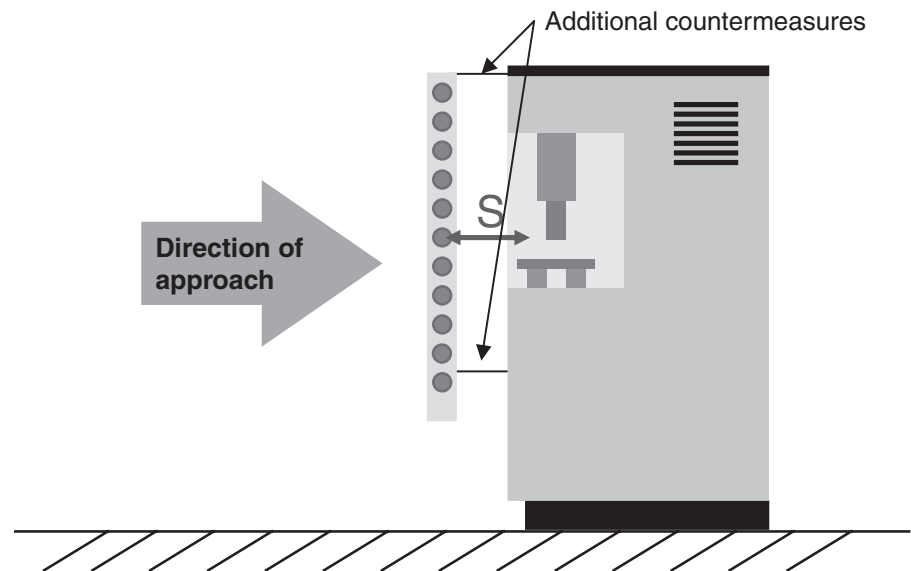


An F3S-TGR-CL system must be mounted far enough from the machine danger zone so the machine will stop before a hand or other body part reaches the hazardous area. This distance is called the safety distance. It is a calculated number based on a formula.

The safety distance "S" is the minimum safe distance between the safety light curtain and the point of operation (pinch point).

Calculation of the safety distance "S" is based on the European standard EN999 and applies to safety light curtains that are used in industrial environments.

### 8-1 Safety distance for safeguarding danger points



**⚠ WARNING** Additional countermeasures may be necessary to prevent access to the dangerous area from above, below, the sides or the rear of the machine.

**8-1-1 Calculation example for systems with a resolution of <40 mm**

Formula according to EN999:  $S = (K \times T) + C$

Where  $S =$  minimum distance in millimeters from the danger zone to the detection point, line, plane or zone. If the result of the calculation is less than 100 mm, a distance of at least 100 mm must still be maintained.

$K =$  Approach speed in mm/s. In the close area of 500 mm, the speed is calculated at 2000 mm/s. If the distance is greater than 500 mm,  $K$  can be calculated as 1600 mm/s. In this case, however, a minimum of 500 mm applies for the safety distance.

$T =$  the overall system stopping performance in seconds

$$T = t_1 + t_2 + t_3$$

$t_1 =$  response time of the safety light curtain in seconds, given in the table in chapter 16.

$t_2 =$  response time of the safety interface  $t_{si}$ , if any.

$t_3 =$  maximum stopping time of the machine  $t_m$  in seconds.

Please refer to the technical information of the safety Interface and the machine for the response time and stopping time details.

$C =$   $8 \times (d - 14 \text{ mm})$ , but not less than zero.

$d =$  minimum object resolution of the F3S-TGR-CL system in millimeters, therefore:

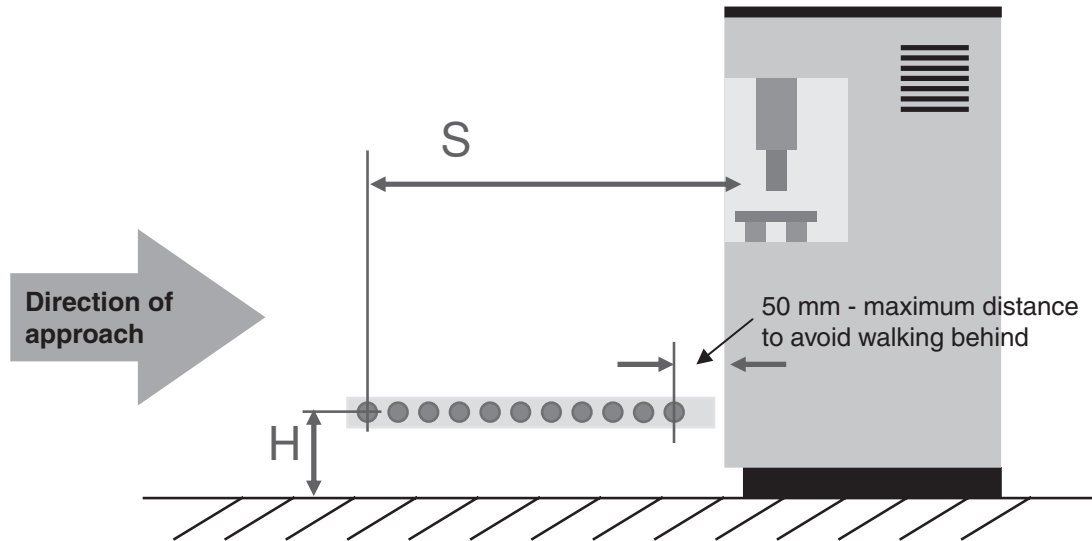
**$S = (2000 \text{ mm/s} \times T) + 8 \times (d - 14 \text{ mm})$**

This formula applies for all minimum distances of  $S$  up to and including 500 mm. The minimum value of  $S$  shall not be less than 100 mm.

If  $S$  is found to be greater than 500 mm using the formula above, then the formula below can be used. In this case the minimum value of  $S$  shall not be less than 500 mm.

**$S = (1600 \text{ mm/s} \times T) + 8 \times (d - 14 \text{ mm})$**

## 8-2 Safety distance for safeguarding danger areas



**⚠ WARNING** Additional countermeasures may be necessary to prevent access to the dangerous area from above, below, the sides or the rear of the machine.

The height of the protective field "H" above the reference plane and the resolution "d" of the F3S-TGR-CL system have the following relationship:

$$H_{\min} = 15 \times (d - 50) \quad \text{or} \quad d = (H_{\min} / 15) + 50$$

$H_{\min}$  = Height of the protective field above the reference plane, maximum height = 1000 mm.

It is considered that if height is equal or less than 300 mm, adults can not crawl under.

d = resolution of the F3S-TGR-CL system

$$S = (K \times T) + C$$

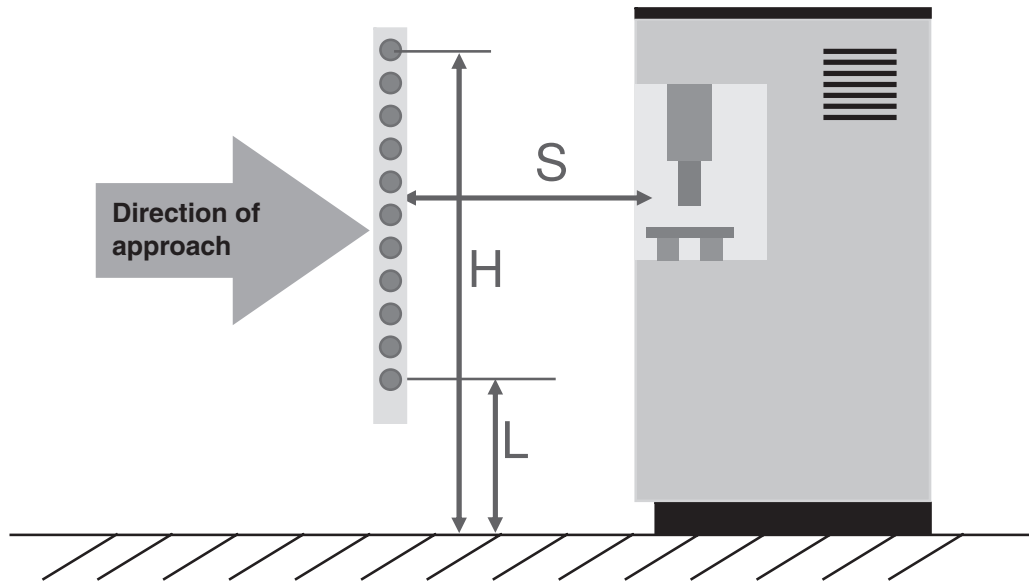
For K and T please refer to the previous chapter

$$C = (1200 \text{ mm} - 0,4 \times H) \text{ but not less than } 850 \text{ mm (arm length)}$$

H = Height of protective field above the floor

$$S = (1600 \text{ mm} \times T) + (1200 - 0,4 \times H)$$

### 8-3 Safety distance and beam heights in access guarding



**⚠ WARNING** Additional countermeasures may be necessary to prevent access to the dangerous area from above, below, the sides or the rear of the machine.

According to EN999 and EN294:

| Resolution | Lowest beam above reference plane | Highest beam above reference plane | Additional amount C (see formula) |
|------------|-----------------------------------|------------------------------------|-----------------------------------|
| 14 mm      | In accordance with EN 294         | In accordance with EN 294          | 0 mm                              |
| 35 mm      | In accordance with EN 294         | In accordance with EN 294          | 168 mm                            |

The height of the protective field "H" above the reference plane and the resolution "d" of the F3S-TGR-Cl system have the following relationship:

$$S = (K \times T) + C$$

For K and T please refer to the previous chapter

$$C = 8 \times (d - 14)$$

d = resolution of the F3S-TGR-CL system

$$S = (2000 \text{ mm} \times T) + 8 \times (d - 14)$$

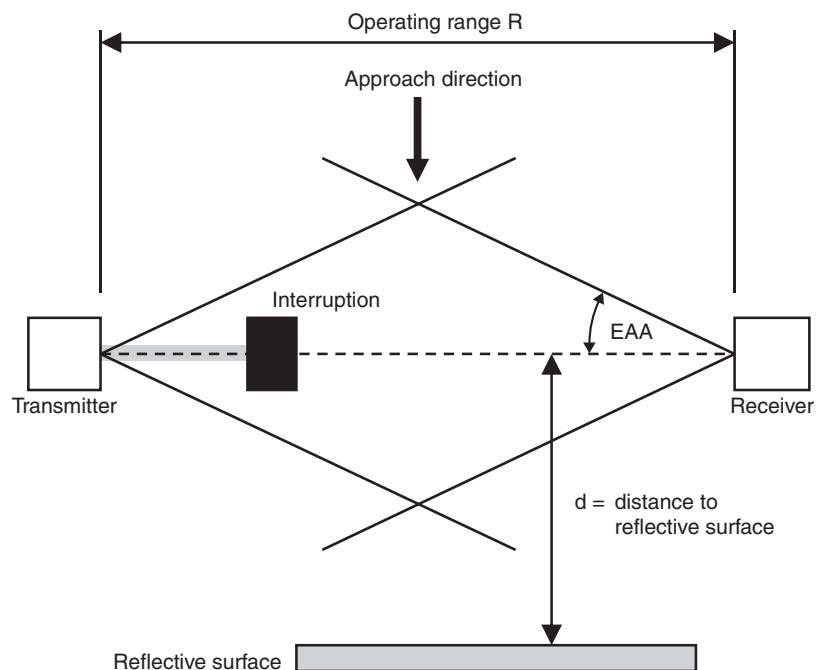
## SECTION 9 Installation

**⚠ WARNING** Install the sensor system so that it is not affected by reflective surfaces. Failure to do so may hinder detection, resulting in serious injury.

### 9-1 Reflective surface interference

A reflective surface adjacent to the detection zone can deflect the optical beam and may cause an obstruction in the zone not to be detected. The reflective surface may be part of the machine, mechanical guard or work-piece. Therefore, a minimum distance (d) must exist between the reflective object and the center line of the detection zone. The Test procedure ("*Test procedure log*" on page 75) **must** be used to test for this condition.

In this picture, the interruption is clearly detected. The reflective object is outside of the beam angle.



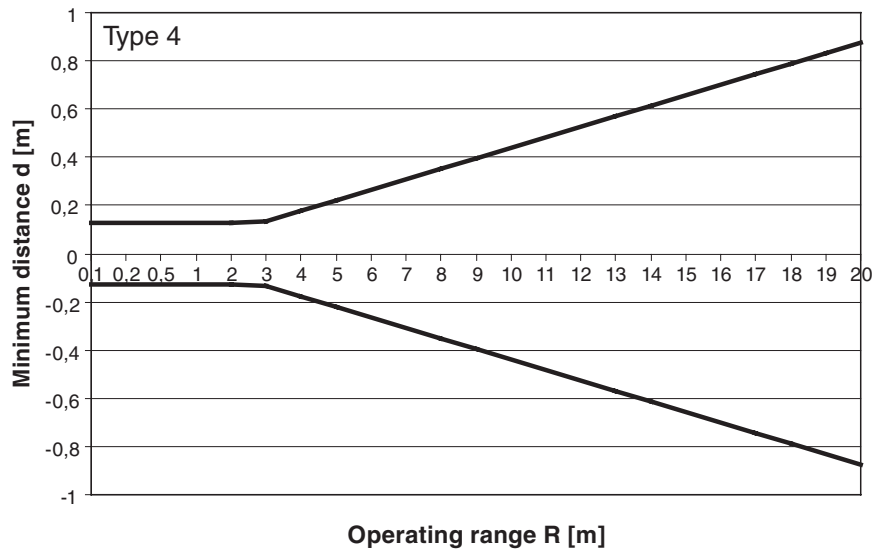
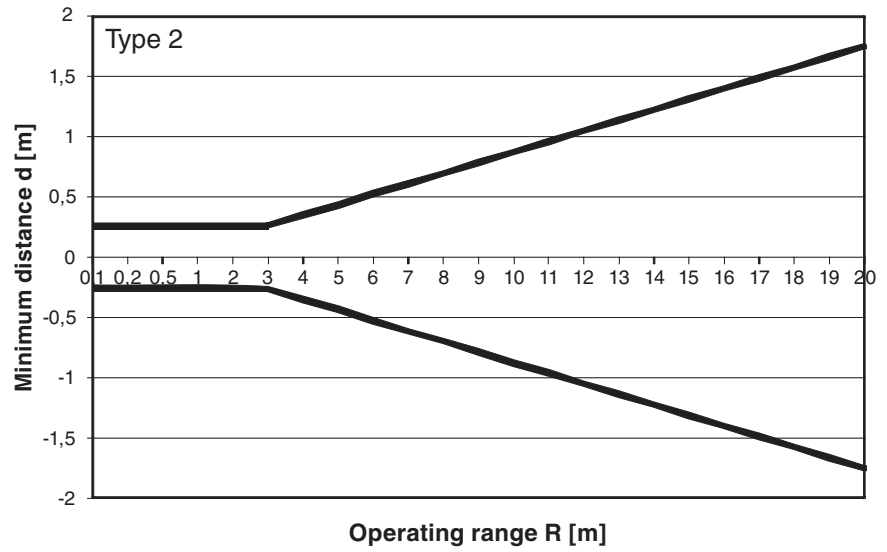
Operating range R: is the effective working distance of the F3S-TGR-CL system, from the transmitter to the receiver.

EAA: is the effective aperture angle of the Safety Sensor.  
it is  $\pm 2,5^\circ$  for F3S-TGR-CL4...  
it is  $\pm 5^\circ$  for F3S-TGR-CL2...

distance d: is the minimum distance to a reflective surface.  
This distance must be bigger than:  
 $d_{\min} \text{ F3S-TGR-CL4} = \tan(2,5^\circ) \times R$   
 $d_{\min} \text{ F3S-TGR-CL2} = \tan(5^\circ) \times R$

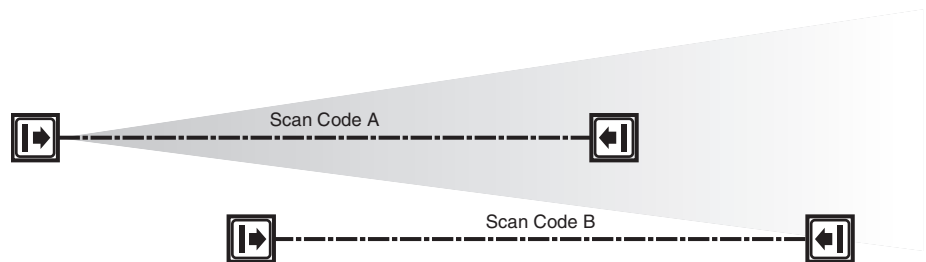
Be aware that reflective surface interference may also appear above and below the sensing field.

The following graphs show the minimum distance  $d$  for a operating range  $R$  of up to 20 m:



## 9-2 Cross Talk Mitigation

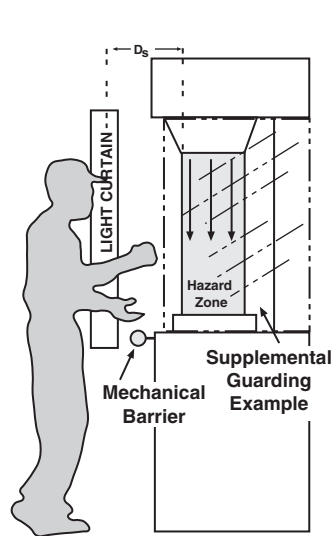
To mitigate interference from other light curtains, the F3S-TGR-CL system has two possible scan codes, A and B. The transmitter and receiver units must be set to the same scan code for the receiver to enter the MACHINE RUN state.



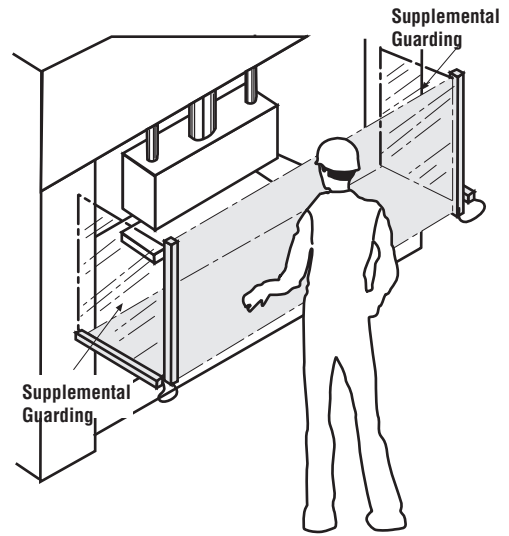
## 9-3 General mounting considerations

### 9-3-1 Additional Guarding

Areas of access to the point of hazardous operation not guarded by the F3S-TGR-CL system must be protected by suitable means such as a fixed barrier guard, an interlocked guard or a safety mat system.



F3S-TGR-CL point of operation guarding



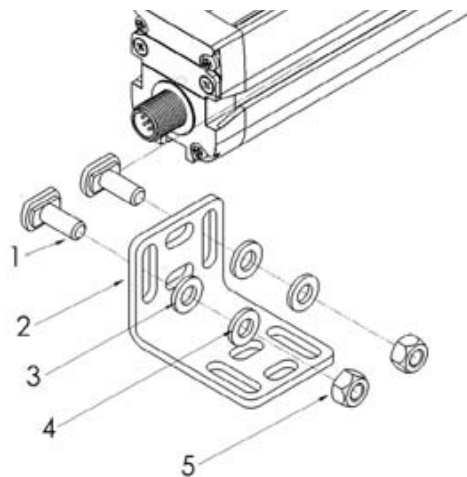
F3S-TGR-CL 2-Axis guarding

### 9-3-2 Mechanical installation

The F3S-TGR-CL system is mechanically installed by using the T-slots on the two sides or the back-side of the housing.

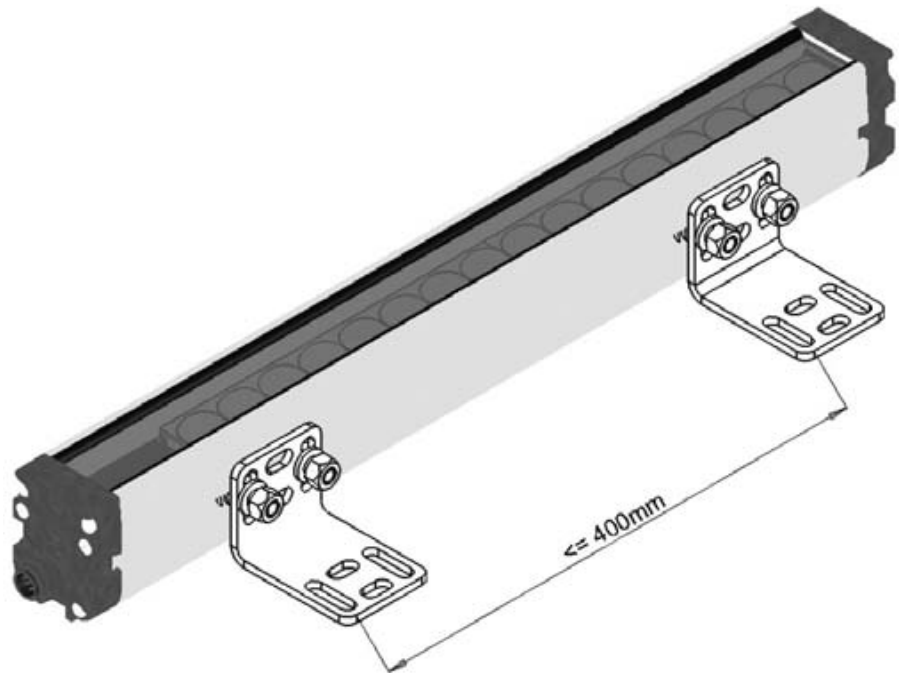
Use the movable bolts, washers, growers and nuts to fix the mounting brackets as shown in the picture

| ID | Description     |
|----|-----------------|
| 1  | movable M6 bolt |
| 2  | fixing braket   |
| 3  | M6 washer       |
| 4  | M6 Grower       |
| 5  | M6 nut          |



### 9-3-3 Additional mounting rigidity

It is recommended that the distance between the mounting brackets is 400 mm or less for optimum performance of the F3S-TGR-CL system.

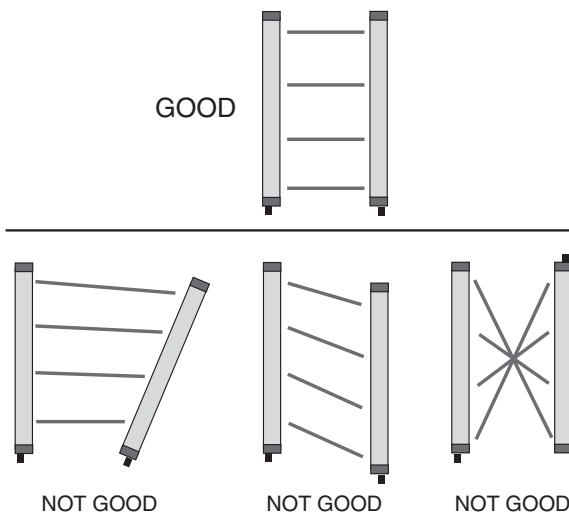


### 9-3-4 Mechanical mounting

Physical alignment of the transmitter and receiver is easiest when the system is in the automatic start operating mode with Blanking inactive. The units should be in the same plane and at equal height.

Transmitter and receiver unit are mounted parallel to each other and orthogonal in respect to the detection zone between transmitter and receiver. It is required that the connectors are oriented in the same direction.

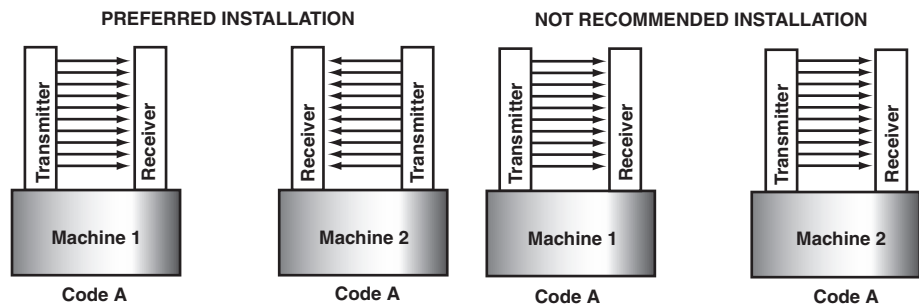
Below pictures show GOOD and NOT GOOD installations:



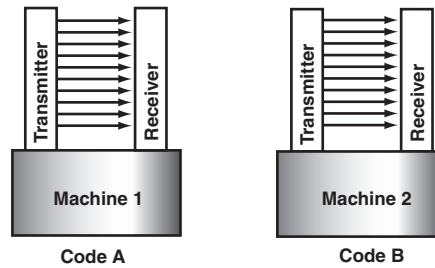


### 9-3-5 Installation of multiple systems

When two or more F3S-TGR-CL systems with the same scan code are mounted in close proximity and in alignment with each other, precautions should be taken to avoid one system interfering with another. This can be corrected by mounting the transmitters and receivers back-to-back or stacked.



The scan code feature of the F3S-TGR-CL system allows for placement of systems in close proximity and in line with each other. The distinctive coding of the beams provide for unique operation of a system while in view of another system with a different scan code. Two unique codes are available on the F3S-TGR-CL.



### 9-3-6 Detection Zone

The system detection zone is delineated by the inside edge of the transmitter and receiver endcaps and indicated by marks on the transmitter and receiver unit. The area outside these marks is not protected. Position the system so that it is only possible to access the danger point through the detection zone.




### 9-3-7 Requirements for Perimeter Guarding




In perimeter guarding applications the F3S-TGR-CL system detection zone is placed around the outside perimeter of a guarded machine. This placement leaves space for personnel to stand between the detection zone and the hazardous machine.

In this case, the guarded machine must only be restarted using a switch located outside and with a full view of the area of hazardous motion. Operation of the F3S-TGR-CL system in the Start/Restart Interlock operating mode is suitable for perimeter guarding.

### 9-3-8 Marking Minimum Object Resolution


Serial number labels on the transmitter and receiver indicate possible minimum object resolutions. During installation, use a permanent marker to obscure the object resolution not set and add information about the effective resolution. This will depend on how the beam tolerance in Blanking mode is set.


|                                      |                                |                              |   |                           |                                 |  |                           |  |  |
|--------------------------------------|--------------------------------|------------------------------|---|---------------------------|---------------------------------|--|---------------------------|--|--|
| TYPE<br><b>F3S-TGR-CL4-035-600</b>   |                                |                              | SUPPLY<br><b>24Vdc ±20%</b>             |                           | POWER CONSUMPTION<br><b>10W</b> |  | PROTECTION<br><b>IP65</b> |  |    |
| SAFETY TYPE<br><b>4</b>              | PROTECTED HEIGHT<br><b>623</b> | RESPONSE TIME<br><b>21ms</b> | RANGE<br><b>SD 0.2 - 7 / LD 7 - 14m</b> | RESOLUTION<br><b>35mm</b> | SW. REL.<br><b>1.2.2</b>        |  |                           |  |  |
| OPERATING TEMP<br><b>-10 - +55°C</b> |                                |                              |   |                           |                                 |  | EXAMPLE LABEL             |  |  |

|                                      |                                |                              |   |                            |                                 |  |                           |  |  |
|--------------------------------------|--------------------------------|------------------------------|---|----------------------------|---------------------------------|--|---------------------------|--|--|
| TYPE<br><b>F3S-TGR-CL4-035-600</b>   |                                |                              | SUPPLY<br><b>24Vdc ±20%</b>             |                            | POWER CONSUMPTION<br><b>10W</b> |  | PROTECTION<br><b>IP65</b> |  |    |
| SAFETY TYPE<br><b>4</b>              | PROTECTED HEIGHT<br><b>623</b> | RESPONSE TIME<br><b>21ms</b> | RANGE<br><b>SD 0.2 - 7 / LD 7 - 14m</b> | RESOLUTION<br><b>70 mm</b> | SW. REL.<br><b>1.2.2</b>        |  |                           |  |  |
| OPERATING TEMP<br><b>-10 - +55°C</b> |                                |                              |   |                            |                                 |  | EXAMPLE LABEL             |  |  |

## SECTION 10

# Connection to the Machine control circuit

 **WARNING** This product is designed for use on a 24 VDC, negative ground (protective earth) electrical system only. Never connect the F3S-TGR-CL system to a positive ground (protective earth) system. With a positive ground (protective earth) wiring scheme, certain simultaneous shorts of both safety outputs may not be detected and the guarded machine may not stop, resulting in severe operator injury.

 **WARNING** Never use only a single safety output to control the machine. Should this single output fail, the machine may not stop, resulting in severe operator injury. The machine must be connected using both safety outputs.

### 10-1 Input Power Requirements

The system operates directly from 24 VDC  $\pm 20\%$ . Power to the system must come from a power supply which meets the requirements of EN/IEC60204-1 and EN/IEC 61496-1.

The power supply must guarantee safe insulation from the mains voltage in accordance with IEC60742 (Protective class III, double insulation) and be able to cover a drop of supply voltage of at least 20 ms. OMRON offers suitable power supplies. The power supply must not supply any other parts of the machine with power other than the safety components connected. Transmitters and receivers must be supplied from a shared power supply and must be fused against over current. An external fuse of 1A must be used.

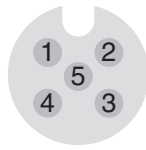
### 10-2 Cables

The primary cables for the F3S-TGR-CL system are industry standard shielded cables with an M12 female connector. The receiver and transmitter incorporate a M12 male connector.

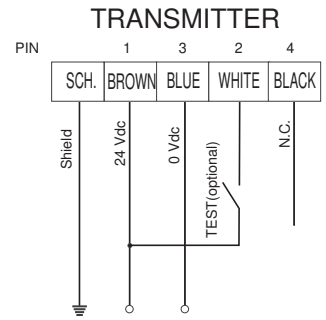
We recommend to use the F39-TGR-CVL cables to connect the F3S-TGR-CL system to the machine control system.

### 10-3 Basic wiring scheme

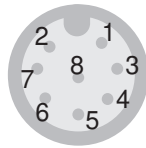
Transmitter



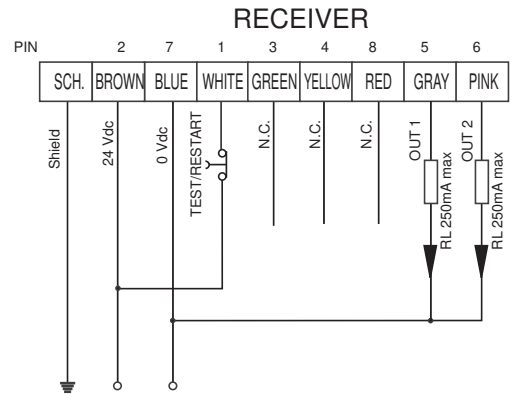
| Pin No. | Signal Name      | Wire Colour |
|---------|------------------|-------------|
| 1       | Input Power +24V | Brown       |
| 2       | Test Input       | White       |
| 3       | Input Power GND  | Blue        |
| 4       | Not used         | Black       |



Receiver



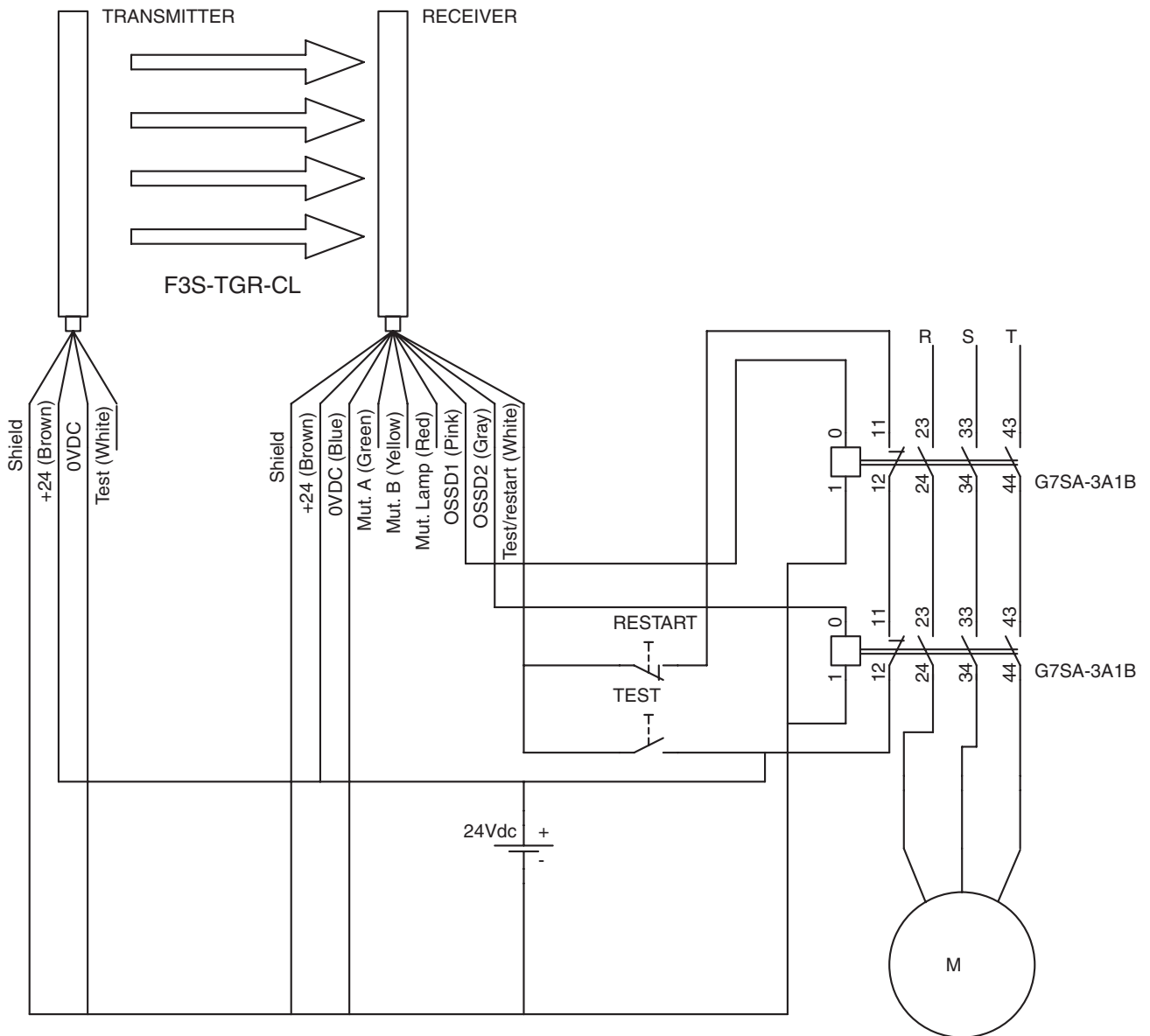
| Pin No. | Signal Name                | Wire Colour |
|---------|----------------------------|-------------|
| 1       | Test/Restart               | White       |
| 2       | Input Power +24V           | Brown       |
| 3       | Muting A                   | Green       |
| 4       | Muting B                   | Yellow      |
| 5       | Output signal OSSD1        | Gray        |
| 6       | Output signal OSSD 2       | Pink        |
| 7       | Input Power GND            | Blue        |
| 8       | Muting lamp connection LMS | Red         |



Refer to the sections *Blanking* (page 6), *Muting and override* (page 33), *Pre-reset function* (page 41) and *Single-/Double Break function* (page 42) for further information.

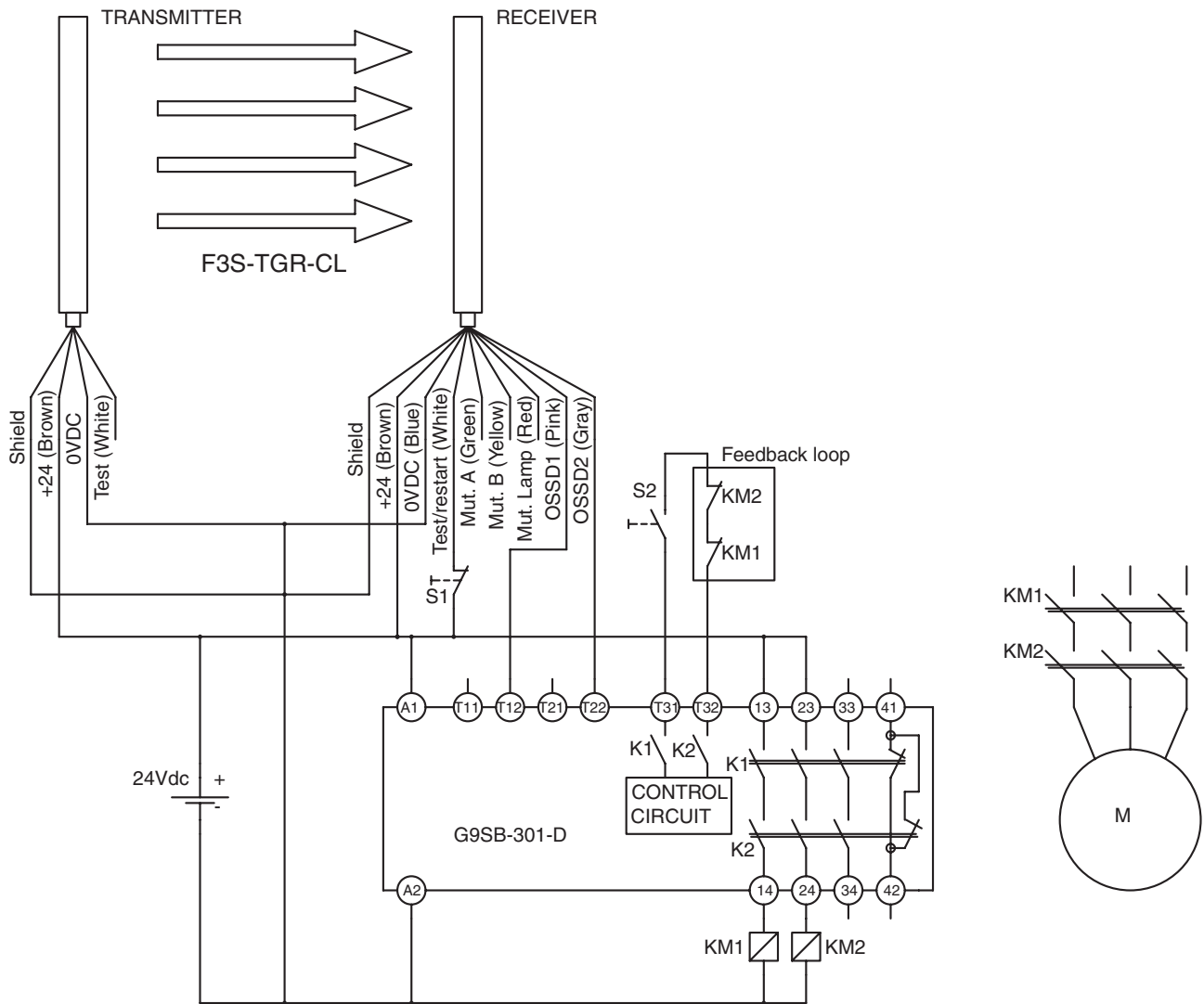
### 10-4 Wiring to two forcibly guided relays

F3S-TGR-CL is set in manual reset operation mode.



### 10-5 Connection to a safety relay unit

F3S-TGR-CL is set in automatic reset mode. G9SB is in manual reset mode.










# SECTION 11

## Control functions

### 11-1 Muting and override

This function is only available on the F3S-TGR-CL\_A - models.

-  **WARNING** The muting and override functions disable the safety functions of the device. You must ensure safety using other method when these functions are operating.
-  **WARNING** Install muting sensors so that they can distinguish between the object that is being allowed to pass through the detection zone and a person. If the muting function is activated by the detection of a person, it may result in serious injury.
-  **WARNING** Muting lamps (external indicators) that indicate the state of the muting and override functions must be installed where they are clearly visible to workers from all the operating positions.
-  **WARNING** Muting related time must be properly configured for its application by a sufficiently trained and qualified person, and the person must have responsibility for settings, especially when setting the muting time limit to infinite.
-  **WARNING** Use independent 2 input devices for muting inputs.
-  **WARNING** You must install F3S-TGR-CL system muting sensor, and physical barrier, and configure time settings for muting so that an operator should not enter hazardous zone.
-  **WARNING** Install the switch that activates the override in a location that provides a clear view of the entire hazardous area and where it cannot be activated from within the hazardous area. Make sure that nobody is in the hazardous area before activating the override function.

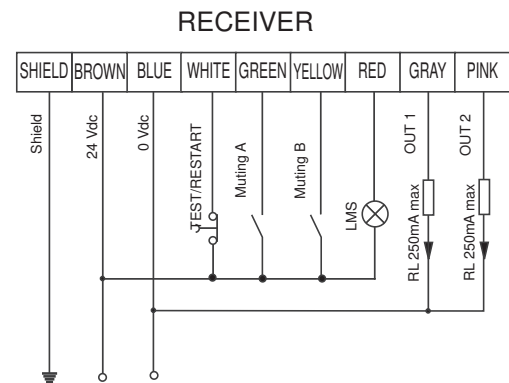
During muting condition, the monitoring of the protective field is suppressed intentionally for a preset time. It is used in applications, where material goes into or out of a dangerous zone without stopping the machine, so the Safety Outputs (OSSDs) of the Safety Sensor System remain in the ON-State during the muting procedure.

The Muting function can be activated only if the F3S-TGR-CL system is in the MACHINE RUN state while the muting activation sequence is provided.

### 11-1-1 Wiring

To control and activate the muting function, the inputs

- Muting A
  - Muting B
  - Muting lamp connection LMS
- are used.



### 11-1-2 Activation and de-activation of the muting function

The muting function is enabled by default for all F3S-TGR-CL-A - models.

### 11-1-3 Muting lamp requirements

The muting lamp for muting and muting override must be installed in a position where it can be clearly seen by the operators. A LED indicator- or standard bulb-based lamp can be used to indicate muting.

Any failure of the muting lamp or in wiring is recognized by the F3S-TGR-CL system and will result in an ERROR condition.

### 11-1-4 Muting input requirements

Muting A and Muting B can be provided by mechanical switches, proximity sensors or photoelectric switches with a closed contact if an object is detected.

At least one of the signals must be a hardware signal. It is not allowed to just control the muting function by software.

Please make sure that the installation of the muting sensors follows the requirements shown in the next chapters.

### 11-1-5 Muting modes

The F3S-TGR-CL system offers a set of three muting modes:

- T-muting activation (default)
- L-muting activation
- X-muting activation

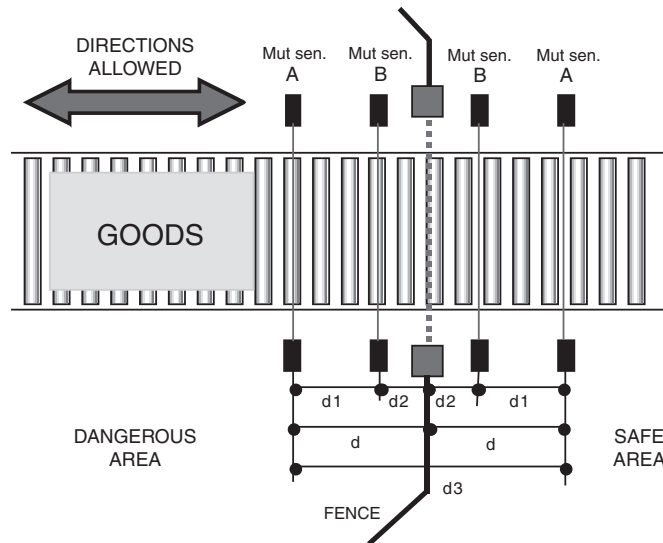
RT in the pictures below refers to the response time of the safety sensor (ON to OFF according to the technical specification in SECTION 14 on page 48).

TM is the time difference between activating Muting sensor A and Muting sensor B.



### 11-1-5-1 T-activation mode

The T-muting activation mode is the default and standard application for muting. Four muting sensors are used in two pairs (OR function), connected to the two Muting inputs, Muting A and Muting B.



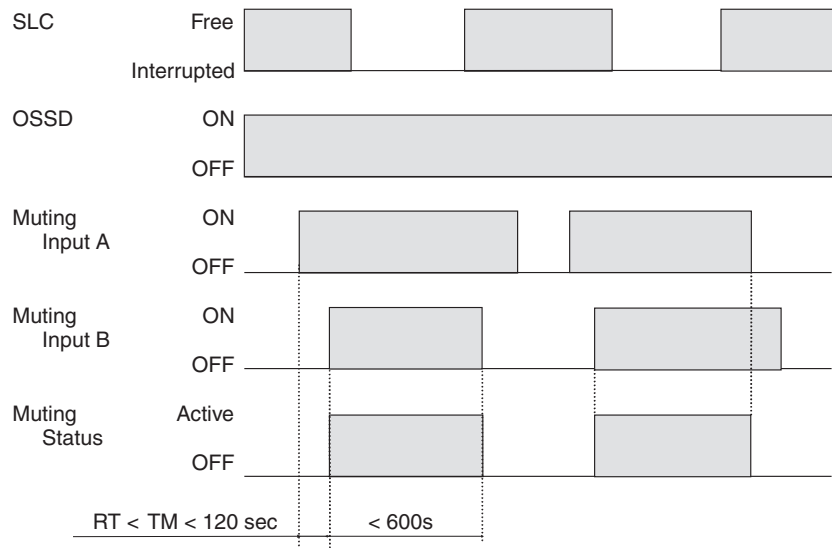
This muting activation mode allows bi-directional transport of material.

- Note**
- d1 is the distance between the muting sensors. It must be more than 250 mm and needs to be checked additionally in regards to the speed of the material transport and time limitation in the muting function.
  - d2 is the distance between the Muting sensor B and the F3S-TGR-CL system. It must be as short as possible. Timing limitations and the speed of the material transport must be considered additionally.
  - d3 is the distance between the two sensors connected to Muting A input. This distance represents the minimum length of the material to be detected.

Timing requirements and limitations:

- If Muting A is activated, Muting B must be activated within 120sec. to activate the muting function. Otherwise muting function is stopped.
- Muting A and Muting B cannot be activated at the same time. A minimum time difference equal to the response time of the sensor is mandatory.
- Maximum muting time is 600sec. After this time, muting function is stopped even if the Muting inputs are still active.

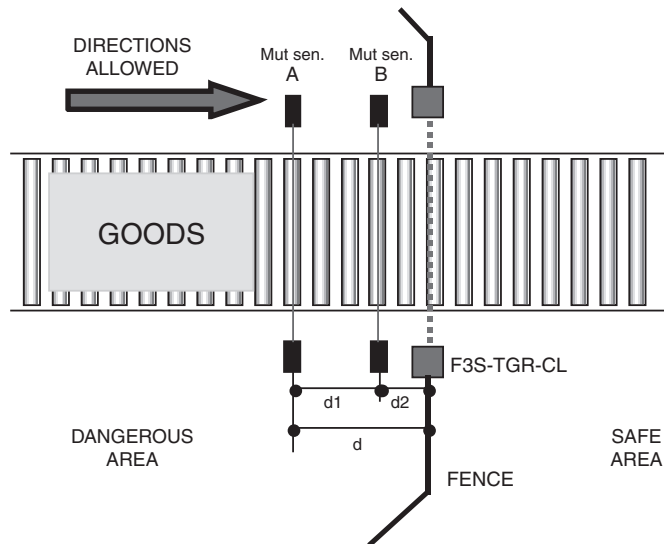
- The F3S-TGR-CL allows that Muting A or Muting B drop for a maximum time of 200ms without stopping the muting function. A time longer than 200ms is detected as a muting stop.



11-1-5-2 L-activation mode

The L-muting activation mode can be used in applications where material is transported only out of the dangerous area, Two muting sensors are connected to the two Muting inputs, Muting A and Muting B.

**WARNING** This muting activation mode can only be used in uni-directional transport. Failure to do so may result in serious injury.

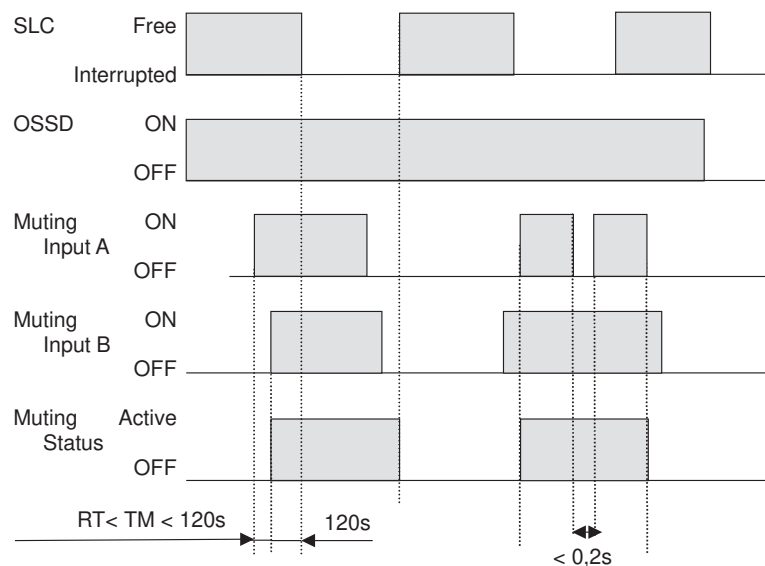


- Note**
- d1 is the distance between the muting sensors. It must be more than 250mm and needs to be checked additionally in regards to the speed of the material transport and time limitation in the muting function.
  - d2 is the distance between the Muting sensor B and the F3S-TGR-CL system. It must be as short as possible. Timing limitations and the speed of the material transport must be considered additionally.

- $d$  is the distance between the F3S-TGR-CL system and the sensor connected to Muting A input. This distance represents the minimum length of the material to be detected.

Timing requirements and limitations:

- If Muting A is activated, Muting B must be activated within 120 sec. to activate the muting function. Otherwise muting function is stopped.
- Muting A and Muting B cannot be activated at the same time. A minimum time difference equal to the response time of the sensor is mandatory.
- If Muting A and Muting B are activated, the protective field must be obscured within 120 sec. Otherwise the muting function is stopped.
- Maximum muting time is 600 sec. After this time, muting function is stopped even if the Muting inputs are still active or the protective field is still obscured.
- The F3S-TGR-CL allows that Muting A or Muting B drop for a maximum time of 200 ms without stopping the muting function. A time longer than 200 ms is detected as a muting stop.
- The F3S-TGR-CL allows that the protective field becomes free for a maximum time of 200 ms in Muting condition. If the protective field is free for more than 200 ms, the muting function stops.



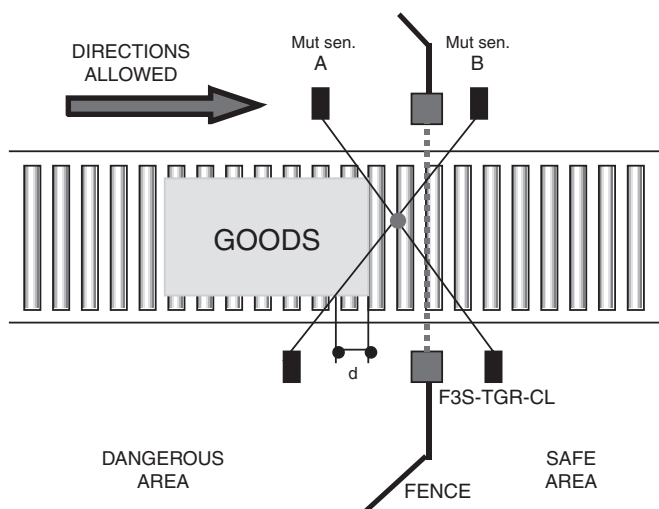
### 11-1-5-3 X-activation mode

The X-muting activation mode can be used in applications where material is transported only in one direction. This muting mode is used in applications, where eg. pallets are used to carry stacked boxes or crates. Most stable detection of this kind of material is possible using the X-muting activation mode.

Two muting sensors are connected to the two Muting inputs, Muting A and Muting B.

**⚠ WARNING** This muting activation mode can only be used in uni-directional transport. Failure to do so may result in serious injury.

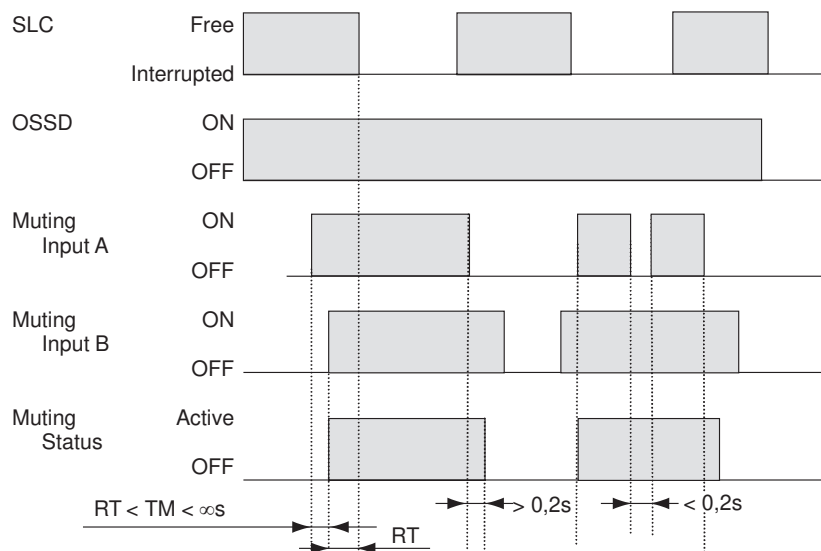
**⚠ WARNING** The crossing point of the two muting sensors MUST be inside the dangerous zone. Failure to do so may result in serious injury.



**Note** • d is the resulting distance between the activation points of Muting A and Muting B. It needs to be checked in regards to the speed of the material transport.

Timing requirements and limitations:

- Either Muting A or Muting B can be used to initiate the muting function.
- There is no maximum time limit after Muting A is activated.
- There is no maximum time limit after Muting B is activated.
- Muting A and Muting B cannot be activated at the same time. A minimum time difference equal to the response time of the sensor is mandatory.
- Maximum muting time is 1700 sec. After this time, muting function is stopped even if the Muting inputs are still active.
- The F3S-TGR-CL allows that Muting A or Muting B drop for a maximum time of 200 ms without stopping the muting function. A time longer than 200 ms is detected as a muting stop.



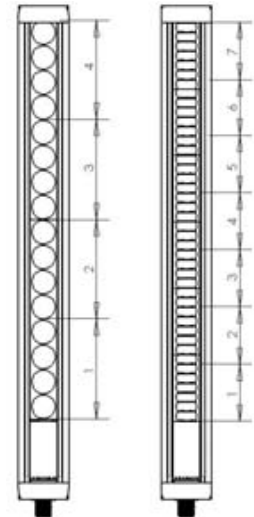
## 11-2 Partial Muting Configuration

This function is only available on the F3S-TGR-CL\_A - models.

Some applications require a muting function that is not covering the entire protective field.

The protective field of the F3S-TGR-CL system is build of optical modules. Each module in a F3S-TGR-CL system can be addressed individually and carries a number of individual beams.

The partial muting function allows to select the modules on which muting is performed.



**Note** The module opposite side of the connector can not be used for partial muting.

### 11-2-1 Setting the partial muting function

Use the selector switches to set the partial muting function:

| MUTING MAPS when MUTING T, L or X are selected on switches 4 and 5*1 |     |     |     |                                      |
|--|-----|-----|-----|--------------------------------------|
| 3 + 2 + 1  | 1   | 2   | 3   |                                      |
|  | OFF | OFF | OFF | Muting active over all light curtain |
|  | OFF | OFF | ON  | Muting active on module 1,2,3 and 4  |
|  | OFF | ON  | OFF | Muting active on module 1,2 and 3    |
|  | OFF | ON  | ON  | Muting active on module 1 and 2      |
|  | ON  | OFF | OFF | Muting active on module 1            |
|  | ON  | OFF | ON  | Muting active on module 2            |
|  | ON  | ON  | OFF | Muting active on module 3            |
|  | ON  | ON  | ON  | Muting active on module 4            |

\*1. Selector switches 1, 2 and 3 are operational if a muting function is set and a muting indicator is connected.

- Note**
- If the F3S-TGR-CL system uses more than 4 modules, the partial muting function is limited to modules 1 to 4.
  - The number of modules is shown in the list of models in the technical data.

## 11-3 Override

This function is only available on the F3S-TGR-CL\_A - models.

This function is a manual triggering of the muting function after an error in the muting procedure. An error-free state can be established by simulating a valid muting condition. This allows to clear the protective field by using the override function.

Typical applications can be found eg. in palletizing machines. If a pallet stopped in the protective field, the Safety sensor system can not be restarted without removing the pallet.

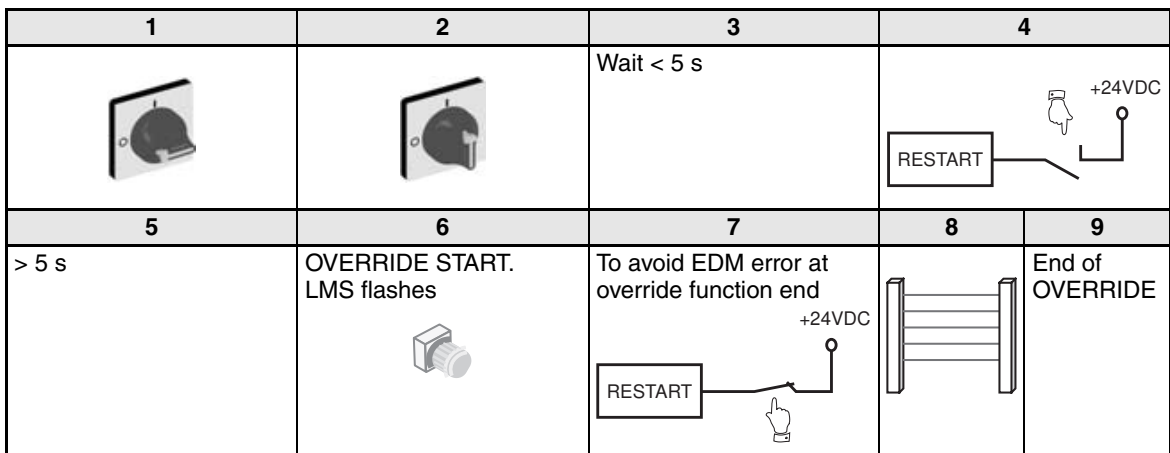
**⚠ WARNING** Make sure that the operator is able to check the entire protective field as long as override function is enabled. Failure to do so may result in serious injury.

- Note**
- To start override, the F3S-TGR-CL must be in MACHINE STOP state.
  - If the entire protective field is free for more than 2sec. the override function is immediately stopped.
  - A Test request on the TEST/RESTART input will stop the override function immediately.
  - Maximum timeout for override is 600sec. After this timeout, the F3S-TGR-CL system is restarting according to the interlock mode set by the selector switches.

### 11-3-1 Override function at start-up

Conditions:

- At least one beam of the F3S-TGR-CL system must be blocked
- F3S-TGR-CL system is in MACHINE STOP mode.

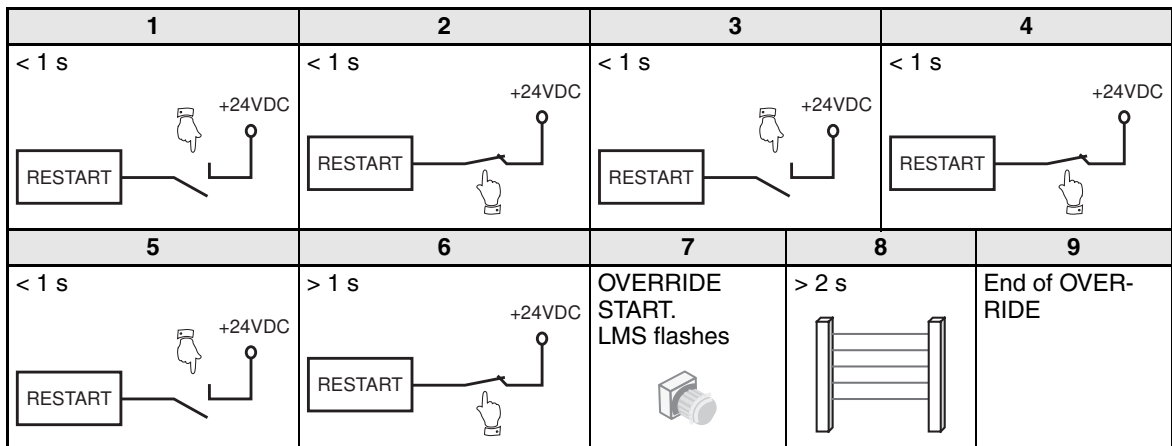


Override function is stopped immediately if the TEST/RESTART input is activated during the Override function.

### 11-3-2 Override during operation cycle

Conditions

- At least one beam of the F3S-TGR-CL system must be blocked
- F3S-TGR-CL system is in MACHINE STOP mode.
- One or both muting inputs are active.



Override function is stopped immediately if the TEST/RESTART input is activated during the Override function

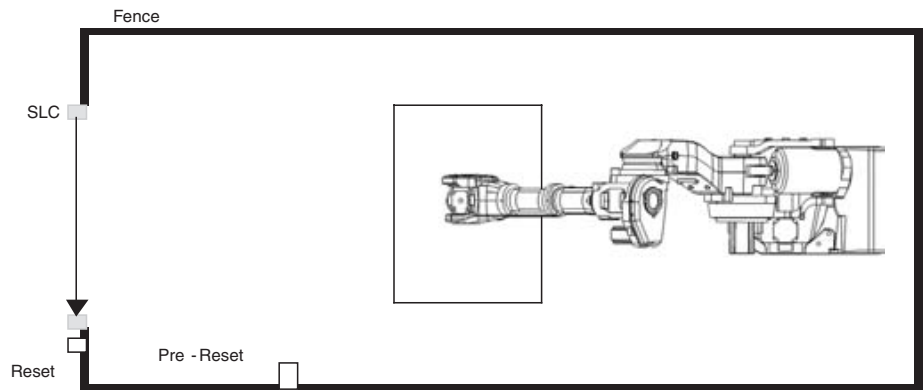
# 11-4 Pre-reset function

This function is only available on the F3S-TGR-CL\_A - models.

The Pre-reset function is an addition to the manual restart function. It can be used, where the operator doing the restart is not able to see the entire dangerous zone.

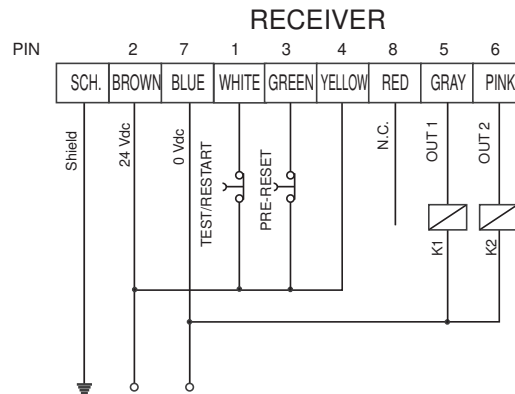
**⚠ WARNING** The pre-reset pushbutton must be installed in the dangerous zone from where the operator is able to check that nobody else is in the dangerous zone before the manual restart function is used. Failure to do so may result in serious injury.

The time limit between pre-reset and manual reset is 8 sec.



- Note**
- Pre-reset function sets the F3S-TGR-CL system to manual reset mode.
  - Blanking function can not be selected using pre-reset function.
  - Muting function can not be selected using pre-reset function.

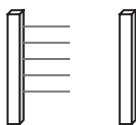

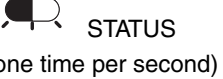
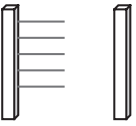
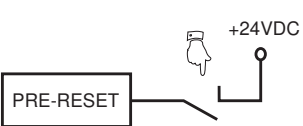
Wiring diagram:



**Note** If both inputs Muting A and Muting B loose +24 V, the F3S-TGR-CL system changes to error condition

Conditions:

- Pre-reset function activated by using the selector switches
- A pre-reset pushbutton is connected to the Muting A input.
- The Muting B input is connected to +24 V.

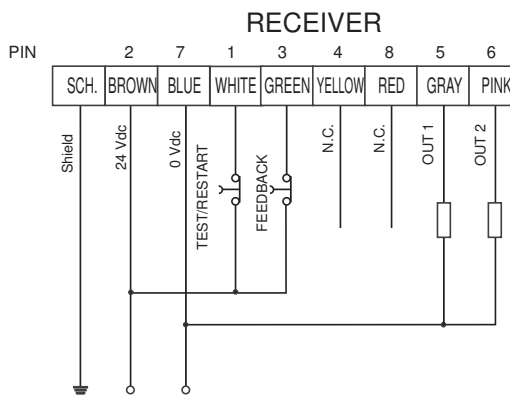
|  |  |  |   |
|--|--|--|---|
| 1  | 2  | 3  | 4   |
| <br>Pass through detection zone | OSSD to OFF  |  |  |
| 5  | 6  | 7  | 8   |
| < 8 s to execute step 6 and 7  | <br>Pass through detection zone |  | OSSD to ON  |

### 11-5 Single-/Double Break function

This function is only available on the F3S-TGR-CL\_A - models.

This control function can be used on small press machines where the operator is doing a loading and/or unloading cycle manually.

Wiring diagram:



- Note**
- The feedback input must be a NC contact, activated when the machine head is in the safe position and the operator can enter the dangerous zone.
  - As long as the safety outputs are ON, an additional interruption of the protective field will result in an interlock situation.

#### 11-5-1 Single break function

The F3S-TGR-CL will power-up with its safety outputs off and enter the INTERLOCK state if the detection zone is clear. F3S-TGR-CL system will enter the MACHINE RUN state when the detection zone was entered and cleared again. It will change to INTERLOCK state automatically when one cycle of the machine is finished. The cycle can be restarted by entering and clearing the detection zone again.

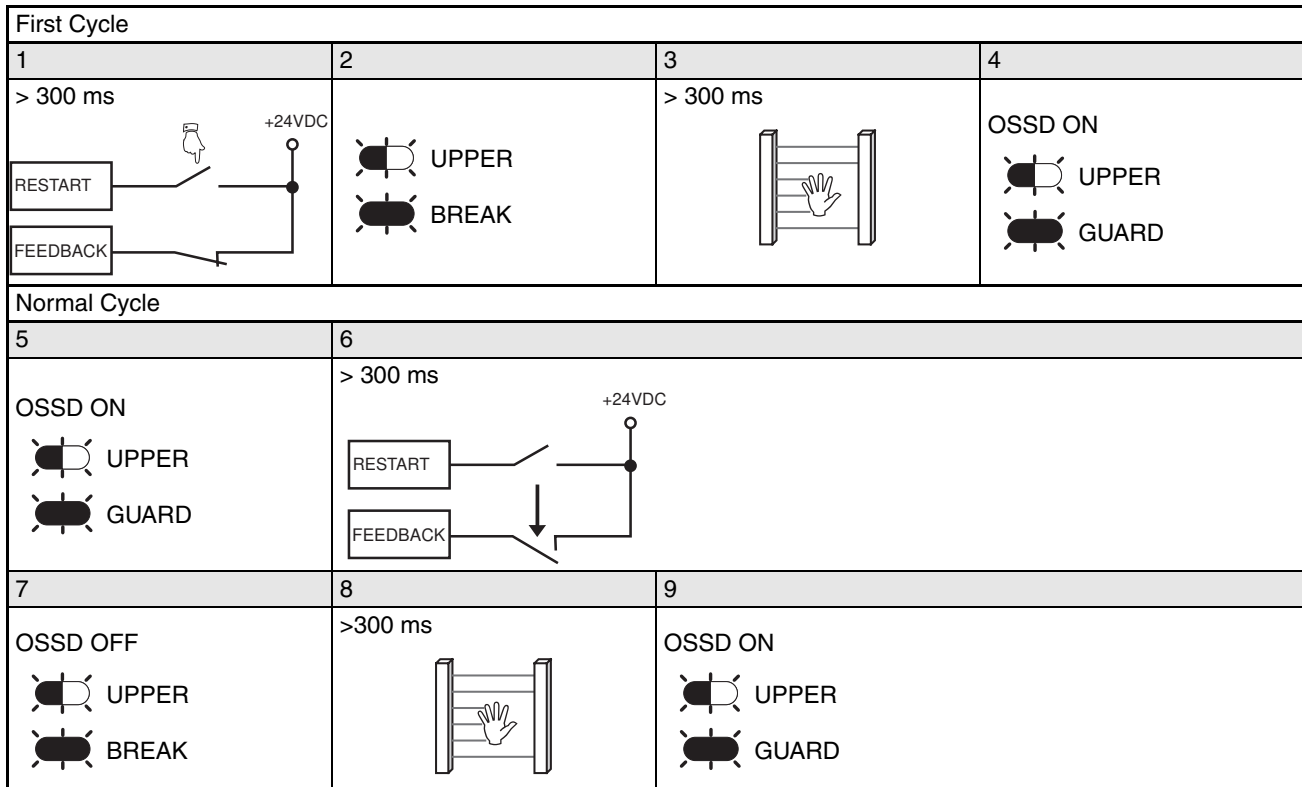
Each operating cycle monitored by the single break function works as follows:

- Feedback input is active (+24 V)



- Protective field is interrupted and free again (load or unload manually)
- Safety outputs enter MACHINE RUN state and machine operates
- While machine operation the feedback input is inactive (0 V)
- When end position is reached, feedback input is active (24 V) again
- Safety outputs enter MACHINE STOP state

**Note** A manual restart is necessary to start the single break function sequence again after power on or any other interruption of the protective field while the machine is working.



Timing

- 1 and 6: input from restart and/or feedback must be longer than 300 ms.
- 3 and 8: minimum time of interrupting the protective field is 300 ms.
- 1 to 3 and 6 to 8: must be less than 30 sec.
- 5 to 6: there is no time limit since this depends on the operation time of the machine.

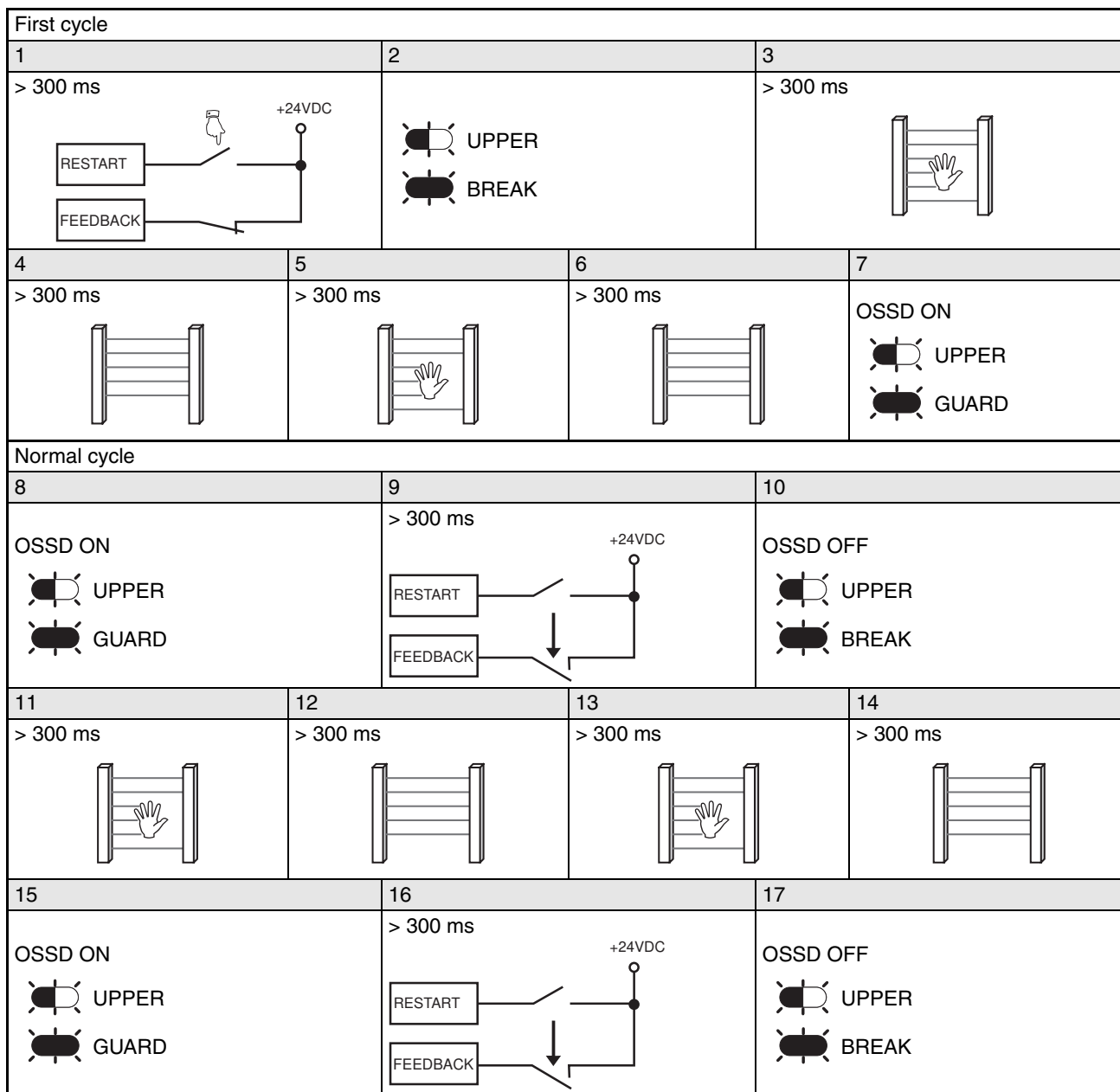
11-5-2 Double break function

This operation mode is similar to single break operation except: Operator is doing a loading and an unloading cycle manually. F3S-TGR-CL system will enter the MACHINE RUN state when the detection zone was entered and cleared again twice.

Each operating cycle monitored by the single break function works as follows:

- Feedback input is active (+24 V)
- Protective field is interrupted and free again first time (unload)
- Protective field is interrupted and free again second time (load)
- Safety outputs enter MACHINE RUN state and machine operates
- While machine operation the feedback input is inactive (0 V)
- When end position is reached, feedback input is active (24 V) again
- Safety outputs enter MACHINE STOP state

**Note** A manual restart is necessary to start the single break function sequence again after power on or any other interruption of the protective field while the machine is working.



Cycles repeat from 8 to 17.

Timing

- 1, 8 and 14: input from restart and/or feedback must be longer than 300 ms.
- 3, 5, 10 and 12: minimum time of interrupting the protective field is 300 ms.
- 4 and 11: time between the double breaks must be between 300ms and 30 sec.
- 1 to 6 and 9 to 14 must be < 30 s
- 8 to 9 and 15 to 16: there is no time limit since this depends on the operation time of the machine.

## SECTION 12

# Checkout and Test procedure

### 12-1 Checkout Procedure

Once the F3S-TGR-CL system has been configured, mounted, aligned and properly connected to the machine control system, the initial Checkout Procedure detailed in Appendix A must be performed by qualified personnel. A copy of the checkout results should be kept with the machine records.

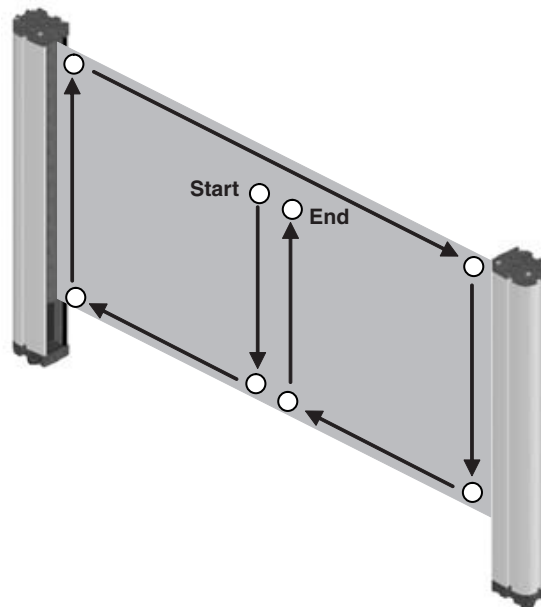
### 12-2 Test Procedure

**⚠ WARNING** The tests outlined in the Test Procedure in Appendix B must be performed at installation, according to the employer's regular inspection program and after any maintenance, tooling change set up, adjustment or modification to the F3S-TGR-CL system or the guarded machine. Where a guarded machine is used by multiple operators or shifts, it is suggested that the test procedure is performed at each shift or operator change. Testing ensures that the light curtain and the machine control system work properly to stop the machine. Failure to test properly could result in serious injury to personnel.


The test procedure must be performed by qualified personnel. To test the F3S-TGR-CL system with fixed blanking and floating blanking disabled, use the supplied test object. For applications where blanking is enabled, see the table in the chapter "Blanking" to determine the proper size of the test object.


### 12-3 Using the test object

When using the test object, guide it through the detection zone as shown:



## 12-4 Regular checkout and test

 **WARNING** Make sure that following checkout and test routines are carried out on a regular base. Failure to test properly could result in serious injury to personnel. All tests must be performed by qualified personnel. A copy of the checkout results should be kept with the machine records.

 **WARNING** Repeat Tests 1 and 2 on a daily base. Repeat Tests 1 to 6 at least every six months. Failure to test properly could result in serious injury to personnel.

1. Guide the test object as shown in 12.3 through the entire protective field. Check that
  - a) In automatic restart mode:  
The outputs of the F3S-TGR-CL system remain in the OFF state during the entire test.
  - b) In manual restart mode:  
The beam blocked state is shown by the STATUS LED on the receiver (LED off).
2. Activate the TEST/RESTART input (open the NC contact). Check that the safety outputs of the F3S-TGR-CL system change from MACHINE RUN to MACHINE STOP state.
3. Check that the mounting distance of the F3S-TGR-CL system is equal to or greater than the minimum safe distance from the danger point. See the chapter *Safe Mounting Distances* on page 19 for further information.
4. Determine that all access to the danger point not protected by the F3S-TGR-CL system is guarded by other means, such as gates, fencing or other approved methods. Verify that all additional guarding devices are installed and operating properly.
5. Make sure the operator is not able to stand between the F3S-TGR-CL system detection zone and the machine danger point. Verify that the light curtain can only be reset from a position outside and within view of the hazardous machine area.
6. Inspect the electrical connections between the guarded machine's control system and the F3S-TGR-CL system. Verify that they are properly connected to the machine such that a stop signal from the F3S-TGR-CL system results in an immediate halt of the machine's cycle. See the chapter *Connection to the Machine control circuit* on page 29 for further information.

## **SECTION 13**

### **Cleaning**

Accumulation of oil, dirt and grease on the front window of the F3S-TGR-CL transmitter and receiver can effect the system operation. Clean the window with a mild detergent or glass cleaner. Use a clean, soft, lint-free cloth. Painted F3S-TGR-CL surfaces may be cleaned with a mild de-greasing cleaner or detergent.

# SECTION 14

## Specification and additional information

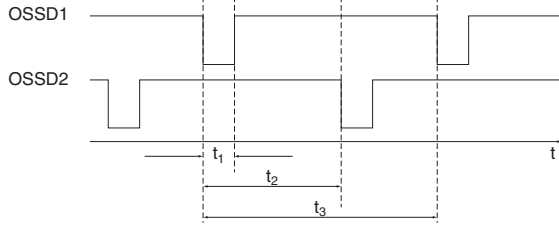
### 14-1 Specification

| <b>Performance</b>              |  |
|---------------------------------|--|
| Protective height               | 150 mm - 2,400 mm  |
| Object Resolution               | 14 mm and 35 mm  |
| Beam pitch (center)             | 7.5 mm and 18 mm   |
| Operating Range                 | 0.2 m - 3.0 m (14 mm resolution), default<br>3.0 m - 6.0 m (14 mm resolution), DIP SW option<br>0.2 m - 7.0 m (35 mm resolution), default<br>7.0 m - 14 m (35 mm resolution), DIP SW option                                    |
| Effective Aperture Angle        | For F3S-TGR-CL2:<br>±5° maximum, transmitter and receiver according to IEC61496-2 (2006) for distances > 3 m<br>For F3S-TGR-CL4:<br>±2,5° maximum, transmitter and receiver according to IEC61496-2 (2006) for distances > 3 m |
| Response Time (RT)<br>ON to OFF | Maximum: 103 ms (See table below for more details)   |
| Light Source                    | Infrared Emitting LEDs, Wavelength 880 nm<br>Power Dissipation: ≤3 mW Class 1 acc. EN60825-1   |

| <b>Mechanical</b>              |  |
|--------------------------------|--|
| Housing Material               | Painted aluminum, Yellow, RAL 1018                   |
| Front Window Material          | Acrylic Lexan  |
| End Cap and Connector Material | ABS  |
| Sealing Gasket Material        | EPDM   |
| Mounting Bracket Material      | Cold rolled Steel                                    |
| Wiring connections             | M12-connectors; 8-pin receiver and 4-pin transmitter |
| Weight                         | See table for more details                           |

| <b>Environmental</b>      |   |
|---------------------------|---|
| Enclosure Rating          | IP65                                      |
| Operating Temperature     | -10°C ... +55°C                           |
| Storage Temperature       | -25°C ... +70°C                           |
| Relative Humidity         | 95% maximum, non-condensing               |
| Vibration (IEC 60068-2-6) | 10-70 Hz, 0.35 mm, maximum on all 3 axes  |
| Shock (IEC 60086-2-29)    | 30 G for 16 ms, 1000 shocks on all 3 axes |

| <b>Electrical</b>       |   |
|-------------------------|---|
| Power Input Transmitter | 24 VDC ±20%, maximum current 70 mA  |
| TEST Input              | 24 VDC ±20%, 10 mA typ.   |
| Power Input Receiver    | 24 VDC ±20%, maximum current 100 mA<br>Receiver 180 mA (in muting) + OSSD1 250 mA +<br>OSSD2 250 mA |
| Input threshold Voltage | $V_{Hmin} = 17 \text{ VDC}$ , $V_{Lmax} = 6 \text{ V}$  |
| Test/Restart Input      | 10 mA @ 24 VDC, Normally closed input, $t_{pulse} > 2,5s$   |
| Muting A                | 10 mA @ 24 VDC  |
| Muting B                | 10 mA @ 24 VDC  |
| EDM - Monitor Input     | 10 mA @ 24 VDC  |

| <b>Electrical</b>                      |  |
|--|--|
| Muting Lamp LMS                        | 50 mA min @ 24 VDC (LED and bulb based lamps)  |
| Input pulse characteristic             | $t_{pulse} < 2 \times$ Response time of the system   |
| Safety Output (OSSDs)                  | Two PNP safety outputs, each output sourcing 250 mA @ 24 VDC. Short circuit protection   |
| Voltage Drop                           | < 2.3 V  |
| Leakage current                        | < 1 mA   |
| Capacitive Load                        | < 250 nF for OSSD output   |
| Inductive Load                         | Please contact your Omron representative for further information.  |
| Test pulse data                        |  <p>t1: Test pulse <math>\leq 300 \mu s</math><br/> t2: Test interval = Response time x 0.33<br/> t3: Repetition = Response time x 0.66</p>  |
| Power Supply                           | Must meet the requirements of EN/IEC60204-1 and EN/IEC61496-1, and must guarantee safe insulation from the mains voltage in accordance with IEC60742 and be able to cover a drop of supply voltage of at least 20 ms.  |
| Protection class (IEC 536 or VDE 106)  | III  |
| Power-on delay                         | <2 s   |
| Insulation resistance                  | >20M $\Omega$  |
| Dielectric Voltage Strength            | 350 VAC (1 min)  |
| <b>Connections</b>                     |  |
| Cable length<br>F3S-TGR-CL Transmitter | Shielded cables:<br>Max. 50 m, @ 0.4 mm <sup>2</sup><br>Max 100 m, @ 0.2 mm <sup>2</sup><br>Coding connections does not reduce the max cable length<br><b>We recommend to use the F39-TGR-CVL cables to connect the F3S-TGR-CL system to the machine control system.</b> |
| Cable length<br>F3S-TGR-CL Receiver    | Shielded cables:<br>Max. 50 m, @ 0.4 mm <sup>2</sup><br>Max 100 m, @ 0.2 mm <sup>2</sup><br>Coding connections does not reduce the max cable length<br><b>We recommend to use the F39-TGR-CVL cables to connect the F3S-TGR-CL system to the machine control system.</b> |
| Cable length<br>F3S-TGR-CL-MIX system  | Shielded cables, M12 connector 8-pin, these cables are shipped with the sensors. Maximum length is 0.9 m between segments  |
| <b>Conformity</b>                      |  |
| AOPD(ESPE)                             | F3S-TGR-CL2:<br>Type 2 acc. to EN/IEC 61496-1 (2004) and EN/IEC 61496-2 (2006)<br>F3S-TGR-CL4: Type 4 acc. to EN/IEC 61496-1 (2004) and EN/IEC 61496-2 (2006)  |

| Conformity                             |  |
|--|--|
| Safety category                        | F3S-TGR-CL2 system is suitable for safety control systems up to Category 2 acc. EN954-1 (1996)<br>F3S-TGR-CL4 system is suitable for safety control systems up to Category 4 acc. EN954-1 (1996)                   |
| Safety Integrity Level                 | F3S-TGR-CL system is suitable for up to SIL 3 per IEC 61508  |
| Performance level (PL)                 | F3S-TGR-CL2 system is suitable for safety control systems up to Performance level c acc. EN ISO 13849-1<br>F3S-TGR-CL4 system is suitable for safety control systems up to Performance level e acc. EN ISO 13849-1 |
| Mean time to dangerous failure (MTTFd) | 450 years  |
| Diagnostic Coverage (DC)               | High acc. EN ISO 13849-1   |
| Mean time to repair (MTTR)             | 8 hours  |
| PFH                                    | $2.5 * 10^{-09}$   |
| Proof test interval                    | Every 20 years   |

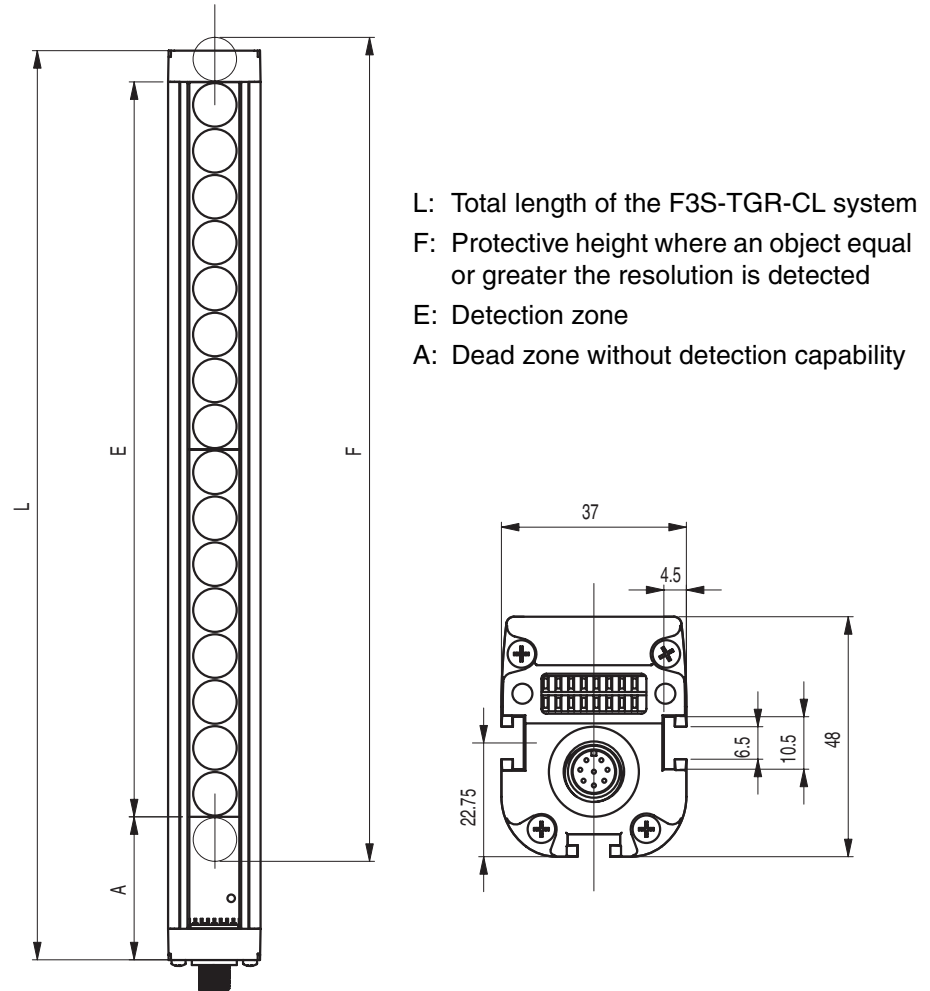
| Response time of F3S-TGR-CL__-014-____ system |           |       |               |        |
|---|-----------|-------|---------------|--------|
| Part No.                                      | Number of |       | Response time |        |
|   | modules   | beams | ON→OFF        | OFF→ON |
| F3S-TGR-CL__-014-0150                         | 7         | 21    | 18 ms         | 138 ms |
| F3S-TGR-CL__-014-0300                         | 7         | 42    | 23 ms         | 135 ms |
| F3S-TGR-CL__-014-0450                         | 7         | 63    | 29 ms         | 131 ms |
| F3S-TGR-CL__-014-0600                         | 7         | 84    | 35 ms         | 127 ms |
| F3S-TGR-CL__-014-0750                         | 7         | 105   | 40 ms         | 123 ms |
| F3S-TGR-CL__-014-0900                         | 7         | 136   | 46 ms         | 119 ms |
| F3S-TGR-CL__-014-1050                         | 7         | 147   | 52 ms         | 116 ms |
| F3S-TGR-CL__-014-1200                         | 7         | 168   | 58 ms         | 112 ms |
| F3S-TGR-CL__-014-1350                         | 7         | 189   | 63 ms         | 108 ms |
| F3S-TGR-CL__-014-1500                         | 7         | 210   | 69 ms         | 104 ms |
| F3S-TGR-CL__-014-1650                         | 7         | 231   | 75 ms         | 100 ms |
| F3S-TGR-CL__-014-1800                         | 7         | 252   | 80 ms         | 97 ms  |
| F3S-TGR-CL__-014-1950                         | 7         | 273   | 86 ms         | 93 ms  |
| F3S-TGR-CL__-014-2100                         | 7         | 294   | 92 ms         | 93 ms  |
| F3S-TGR-CL__-014-2250                         | 7         | 315   | 97 ms         | 98 ms  |
| F3S-TGR-CL__-014-2400                         | 7         | 336   | 103 ms        | 104 ms |

| Response time of F3S-TGR-CL__-035-____ system |           |       |               |        |
|---|-----------|-------|---------------|--------|
| Part No.                                      | Number of |       | Response time |        |
|   | modules   | beams | ON→OFF        | OFF→ON |
| F3S-TGR-CL__-035-0150                         | 4         | 8     | 14 ms         | 141 ms |
| F3S-TGR-CL__-035-0300                         | 4         | 16    | 16 ms         | 139 ms |
| F3S-TGR-CL__-035-0450                         | 4         | 24    | 19 ms         | 138 ms |
| F3S-TGR-CL__-035-0600                         | 4         | 32    | 21 ms         | 136 ms |
| F3S-TGR-CL__-035-0750                         | 4         | 40    | 23 ms         | 135 ms |
| F3S-TGR-CL__-035-0900                         | 4         | 48    | 25 ms         | 133 ms |
| F3S-TGR-CL__-035-1050                         | 4         | 56    | 27 ms         | 132 ms |
| F3S-TGR-CL__-035-1200                         | 4         | 64    | 29 ms         | 131 ms |
| F3S-TGR-CL__-035-1350                         | 8         | 72    | 32 ms         | 129 ms |
| F3S-TGR-CL__-035-1500                         | 8         | 80    | 34 ms         | 128 ms |
| F3S-TGR-CL__-035-1650                         | 8         | 88    | 36 ms         | 126 ms |
| F3S-TGR-CL__-035-1800                         | 8         | 96    | 38 ms         | 125 ms |



| Response time of F3S-TGR-CL__-035-___ system |   |     |       |        |
|--|---|-----|-------|--------|
| F3S-TGR-CL__-035-1950                        | 8 | 104 | 40 ms | 123 ms |
| F3S-TGR-CL__-035-2100                        | 8 | 112 | 42 ms | 122 ms |
| F3S-TGR-CL__-035-2250                        | 8 | 120 | 45 ms | 120 ms |
| F3S-TGR-CL__-035-2400                        | 8 | 128 | 47 ms | 119 ms |

### 14-2 F3S-TGR-CL standalone system Dimensional drawing



### 14-3 F3S-TGR-CL system data with 14 mm resolution

|             | 150 mm  | 300 mm  | 450 mm  | 600 mm  | 750 mm  | 900 mm  |
|-------------|---------|---------|---------|---------|---------|---------|
| L [mm][     | 217     | 364     | 511     | 658     | 805     | 952     |
| F [mm]      | 161     | 308     | 455     | 602     | 749     | 896     |
| E [mm]      | 147     | 294     | 441     | 588     | 735     | 882     |
| A [mm]      | 59      | 59      | 59      | 59      | 59      | 59      |
| Weight [kg] | 0.83 kg | 1.39 kg | 1.95 kg | 2.51 kg | 3.07 kg | 3.63 kg |

|             | 1050 mm | 1200 mm | 1350 mm | 1500 mm | 1650 mm | 1800 mm |
|-------------|---------|---------|---------|---------|---------|---------|
| L [mm][     | 1099    | 1246    | 1393    | 1540    | 1687    | 1834    |
| F [mm]      | 1043    | 1190    | 1337    | 1484    | 1631    | 1778    |
| E [mm]      | 1029    | 1176    | 1323    | 1470    | 1617    | 1764    |
| A [mm]      | 59      | 59      | 59      | 59      | 59      | 59      |
| Weight [kg] | 4.19 kg | 4.75 kg | 5.31 kg | 5.87 kg | 6.43 kg | 7 kg    |

|             | <b>1950 mm</b> | <b>2100 mm</b> | <b>2250 mm</b> | <b>2400 mm</b> |  |  |
|-------------|----------------|----------------|----------------|----------------|--|--|
| L [mm][     | 1981           | 2128           | 2275           | 2422           |  |  |
| F [mm]      | 1925           | 2072           | 2219           | 2366           |  |  |
| E [mm]      | 1911           | 2058           | 2205           | 2352           |  |  |
| A [mm]      | 59             | 59             | 59             | 59             |  |  |
| Weight [kg] | 7.55 kg        | 8.11 kg        | 8.67 kg        | 9.24 kg        |  |  |

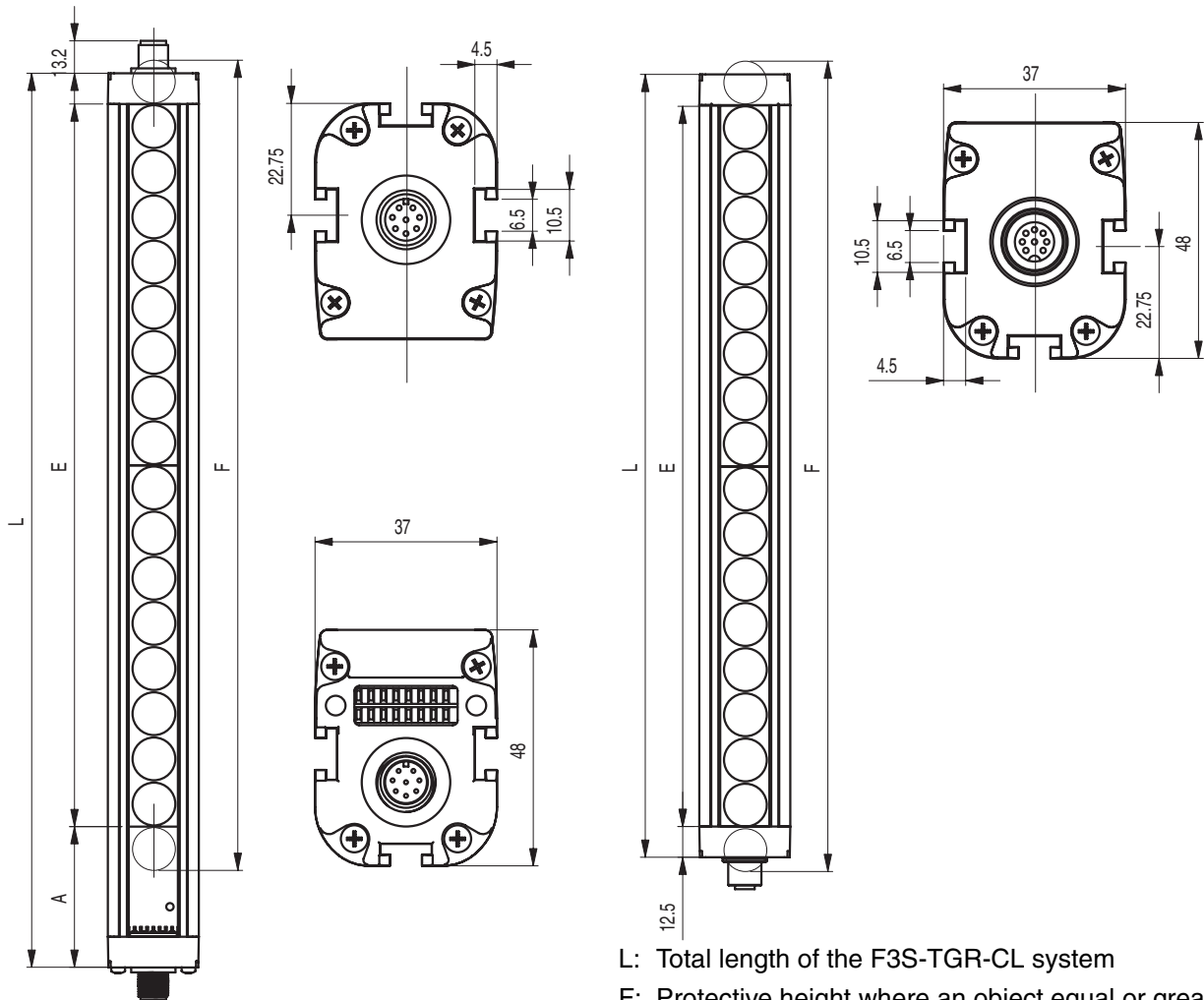
**14-4 F3S-TGR-CL system data with 35 mm resolution**

|             | <b>150 mm</b> | <b>300 mm</b> | <b>450 mm</b> | <b>600 mm</b> | <b>750 mm</b> | <b>900 mm</b> |
|-------------|---------------|---------------|---------------|---------------|---------------|---------------|
| L [mm][     | 217           | 364           | 511           | 658           | 805           | 952           |
| F [mm]      | 182           | 329           | 476           | 623           | 770           | 917           |
| E [mm]      | 147           | 294           | 441           | 588           | 735           | 882           |
| A [mm]      | 59            | 59            | 59            | 59            | 59            | 59            |
| Weight [kg] | 0.83 kg       | 1.39 kg       | 1.95 kg       | 2.51 kg       | 3.07 kg       | 3.63 kg       |

|             | <b>1050 mm</b> | <b>1200 mm</b> | <b>1350 mm</b> | <b>1500 mm</b> | <b>1650 mm</b> | <b>1800 mm</b> |
|-------------|----------------|----------------|----------------|----------------|----------------|----------------|
| L [mm][     | 1099           | 1246           | 1393           | 1540           | 1687           | 1834           |
| F [mm]      | 1064           | 1211           | 1358           | 1505           | 1652           | 1799           |
| E [mm]      | 1029           | 1176           | 1323           | 1470           | 1617           | 1764           |
| A [mm]      | 59             | 59             | 59             | 59             | 59             | 59             |
| Weight [kg] | 4.19 kg        | 4.75 kg        | 5.31 kg        | 5.87 kg        | 6.43 kg        | 7 kg           |

|             | <b>1950 mm</b> | <b>2100 mm</b> | <b>2250 mm</b> | <b>2400 mm</b> |  |  |
|-------------|----------------|----------------|----------------|----------------|--|--|
| L [mm][     | 1981           | 2128           | 2275           | 2422           |  |  |
| F [mm]      | 1946           | 2093           | 2240           | 2387           |  |  |
| E [mm]      | 1911           | 2058           | 2205           | 2352           |  |  |
| A [mm]      | 59             | 59             | 59             | 59             |  |  |
| Weight [kg] | 7.55 kg        | 8.11 kg        | 8.67 kg        | 9.24 kg        |  |  |

14-5 F3S-TGR-CL MIX system Dimensional drawing



- L: Total length of the F3S-TGR-CL system
- F: Protective height where an object equal or greater the resolution is detected
- E: Detection zone
- A: Dead zone without detection capability

### 14-6 F3S-TGR-CL Master system data with 14 mm resolution

|             | 150 mm  | 300 mm  | 450 mm  | 600 mm  | 750 mm | 900 mm  |
|-------------|---------|---------|---------|---------|--------|---------|
| L [mm][     | 217     | 364     | 511     | 658     | 805    | 952     |
| F [mm]      | 161     | 308     | 455     | 602     | 749    | 896     |
| E [mm]      | 147     | 294     | 441     | 588     | 735    | 882     |
| A [mm]      | 59      | 59      | 59      | 59      | 59     | 59      |
| Weight [kg] | 0.85 kg | 1.41 kg | 1.97 kg | 2.53 kg | 3.1 kg | 3.65 kg |

|             | 1050 mm | 1200 mm | 1350 mm | 1500 mm | 1650 mm | 1800 mm |
|-------------|---------|---------|---------|---------|---------|---------|
| L [mm][     | 1099    | 1246    | 1393    | 1540    | 1687    | 1834    |
| F [mm]      | 1043    | 1190    | 1337    | 1484    | 1631    | 1778    |
| E [mm]      | 1029    | 1176    | 1323    | 1470    | 1617    | 1764    |
| A [mm]      | 59      | 59      | 59      | 59      | 59      | 59      |
| Weight [kg] | 4.22 kg | 4.78 kg | 5.34 kg | 5.9 kg  | 6.46 kg | 7.02 kg |

|             | 1950 mm | 2100 mm | 2250 mm |  |  |  |
|-------------|---------|---------|---------|--|--|--|
| L [mm][     | 1981    | 2128    | 2275    |  |  |  |
| F [mm]      | 1925    | 2072    | 2219    |  |  |  |
| E [mm]      | 1911    | 2058    | 2205    |  |  |  |
| A [mm]      | 59      | 59      | 59      |  |  |  |
| Weight [kg] | 7.58 kg | 8.14 kg | 8.76 kg |  |  |  |

### 14-7 F3S-TGR-CL Master system data with 35 mm resolution

|             | 150 mm  | 300 mm  | 450 mm  | 600 mm  | 750 mm | 900 mm  |
|-------------|---------|---------|---------|---------|--------|---------|
| L [mm][     | 217     | 364     | 511     | 658     | 805    | 952     |
| F [mm]      | 182     | 329     | 476     | 623     | 770    | 917     |
| E [mm]      | 147     | 294     | 441     | 588     | 735    | 882     |
| A [mm]      | 59      | 59      | 59      | 59      | 59     | 59      |
| Weight [kg] | 0.85 kg | 1.41 kg | 1.97 kg | 2.53 kg | 3.1 kg | 3.65 kg |

|             | 1050 mm | 1200 mm | 1350 mm | 1500 mm | 1650 mm | 1800 mm |
|-------------|---------|---------|---------|---------|---------|---------|
| L [mm][     | 1099    | 1246    | 1393    | 1540    | 1687    | 1834    |
| F [mm]      | 1064    | 1211    | 1358    | 1505    | 1652    | 1799    |
| E [mm]      | 1029    | 1176    | 1323    | 1470    | 1617    | 1764    |
| A [mm]      | 59      | 59      | 59      | 59      | 59      | 59      |
| Weight [kg] | 4.22 kg | 4.78 kg | 5.34 kg | 5.9 kg  | 6.46 kg | 7.02 kg |

|             | 1950 mm | 2100 mm | 2250 mm |  |  |  |
|-------------|---------|---------|---------|--|--|--|
| L [mm][     | 1981    | 2128    | 2275    |  |  |  |
| F [mm]      | 1925    | 2072    | 2219    |  |  |  |
| E [mm]      | 1911    | 2058    | 2205    |  |  |  |
| A [mm]      | 59      | 59      | 59      |  |  |  |
| Weight [kg] | 7.58 kg | 8.14 kg | 8.76 kg |  |  |  |

### 14-8 F3S-TGR-CL Slave system data with 14 mm resolution

|             | 150 mm  | 300 mm  | 450 mm  | 600 mm  | 750 mm  | 900 mm  |
|-------------|---------|---------|---------|---------|---------|---------|
| L [mm]      | 172     | 319     | 466     | 613     | 760     | 907     |
| F [mm]      | 161     | 308     | 455     | 602     | 749     | 896     |
| E [mm]      | 147     | 294     | 441     | 588     | 735     | 882     |
| A [mm]      | 12.5    | 12.5    | 12.5    | 12.5    | 12.5    | 12.5    |
| Weight [kg] | 0.61 kg | 1.17 kg | 1.73 kg | 2.29 kg | 2.86 kg | 3.41 kg |

|             | 1050 mm | 1200 mm | 1350 mm | 1500 mm | 1650 mm | 1800 mm |
|-------------|---------|---------|---------|---------|---------|---------|
| L [mm]      | 1054    | 1201    | 1348    | 1495    | 1642    | 1798    |
| F [mm]      | 1043    | 1190    | 1337    | 1484    | 1631    | 1778    |
| E [mm]      | 1029    | 1176    | 1323    | 1470    | 1617    | 1764    |
| A [mm]      | 12.5    | 12.5    | 12.5    | 12.5    | 12.5    | 12.5    |
| Weight [kg] | 3.98 kg | 4.54 kg | 5.10 kg | 5.66 kg | 6.22 kg | 6.78 kg |

|             | 1950 mm | 2100 mm | 2250 mm |  |  |  |
|-------------|---------|---------|---------|--|--|--|
| L [mm]      | 1936    | 2083    | 2230    |  |  |  |
| F [mm]      | 1925    | 2072    | 2219    |  |  |  |
| E [mm]      | 1911    | 2058    | 2205    |  |  |  |
| A [mm]      | 12.5    | 12.5    | 12.5    |  |  |  |
| Weight [kg] | 7.34 kg | 7.90 kg | 8.46 kg |  |  |  |

### 14-9 F3S-TGR-CL Slave system data with 35 mm resolution

|             | 150 mm  | 300 mm  | 450 mm  | 600 mm  | 750 mm  | 900 mm  |
|-------------|---------|---------|---------|---------|---------|---------|
| L [mm]      | 172     | 319     | 466     | 613     | 760     | 907     |
| F [mm]      | 182     | 329     | 476     | 623     | 770     | 917     |
| E [mm]      | 147     | 294     | 441     | 588     | 735     | 882     |
| A [mm]      | 12.5    | 12.5    | 12.5    | 12.5    | 12.5    | 12.5    |
| Weight [kg] | 0.61 kg | 1.17 kg | 1.73 kg | 2.29 kg | 2.86 kg | 3.41 kg |

|             | 1050 mm | 1200 mm | 1350 mm | 1500 mm | 1650 mm | 1800 mm |
|-------------|---------|---------|---------|---------|---------|---------|
| L [mm]      | 1054    | 1201    | 1348    | 1495    | 1642    | 1798    |
| F [mm]      | 1064    | 1211    | 1358    | 1505    | 1652    | 1799    |
| E [mm]      | 1029    | 1176    | 1323    | 1470    | 1617    | 1764    |
| A [mm]      | 12.5    | 12.5    | 12.5    | 12.5    | 12.5    | 12.5    |
| Weight [kg] | 3.98 kg | 4.54 kg | 5.10 kg | 5.66 kg | 6.22 kg | 6.78 kg |

|             | 1950 mm | 2100 mm | 2250 mm |  |  |  |
|-------------|---------|---------|---------|--|--|--|
| L [mm]      | 1936    | 2083    | 2230    |  |  |  |
| F [mm]      | 1925    | 2072    | 2219    |  |  |  |
| E [mm]      | 1911    | 2058    | 2205    |  |  |  |
| A [mm]      | 12.5    | 12.5    | 12.5    |  |  |  |
| Weight [kg] | 7.34 kg | 7.90 kg | 8.46 kg |  |  |  |

## 14-10 List of models standalone models

### 14-10-1 Safety Category 2, 14 mm resolution, Standalone unit

| Type Name             | Version | Resolution [mm] | Length [mm] | Operation  |
|-----------------------|---------|-----------------|-------------|------------|
| F3S-TGR-CL2B-014-0150 | Basic   | 14 mm           | 150         | Standalone |
| F3S-TGR-CL2B-014-0300 | Basic   | 14 mm           | 300         | Standalone |
| F3S-TGR-CL2B-014-0450 | Basic   | 14 mm           | 450         | Standalone |
| F3S-TGR-CL2B-014-0600 | Basic   | 14 mm           | 600         | Standalone |
| F3S-TGR-CL2B-014-0750 | Basic   | 14 mm           | 750         | Standalone |
| F3S-TGR-CL2B-014-0900 | Basic   | 14 mm           | 900         | Standalone |
| F3S-TGR-CL2B-014-1050 | Basic   | 14 mm           | 1050        | Standalone |
| F3S-TGR-CL2B-014-1200 | Basic   | 14 mm           | 1200        | Standalone |
| F3S-TGR-CL2B-014-1350 | Basic   | 14 mm           | 1350        | Standalone |
| F3S-TGR-CL2B-014-1500 | Basic   | 14 mm           | 1500        | Standalone |
| F3S-TGR-CL2B-014-1650 | Basic   | 14 mm           | 1650        | Standalone |
| F3S-TGR-CL2B-014-1800 | Basic   | 14 mm           | 1800        | Standalone |
| F3S-TGR-CL2B-014-1950 | Basic   | 14 mm           | 1950        | Standalone |
| F3S-TGR-CL2B-014-2100 | Basic   | 14 mm           | 2100        | Standalone |
| F3S-TGR-CL2B-014-2250 | Basic   | 14 mm           | 2250        | Standalone |
| F3S-TGR-CL2B-014-2400 | Basic   | 14 mm           | 2400        | Standalone |

| Type Name             | Version  | Resolution [mm] | Length [mm] | Operation  |
|-----------------------|----------|-----------------|-------------|------------|
| F3S-TGR-CL2A-014-0150 | Advanced | 14 mm           | 150         | Standalone |
| F3S-TGR-CL2A-014-0300 | Advanced | 14 mm           | 300         | Standalone |
| F3S-TGR-CL2A-014-0450 | Advanced | 14 mm           | 450         | Standalone |
| F3S-TGR-CL2A-014-0600 | Advanced | 14 mm           | 600         | Standalone |
| F3S-TGR-CL2A-014-0750 | Advanced | 14 mm           | 750         | Standalone |
| F3S-TGR-CL2A-014-0900 | Advanced | 14 mm           | 900         | Standalone |
| F3S-TGR-CL2A-014-1050 | Advanced | 14 mm           | 1050        | Standalone |
| F3S-TGR-CL2A-014-1200 | Advanced | 14 mm           | 1200        | Standalone |
| F3S-TGR-CL2A-014-1350 | Advanced | 14 mm           | 1350        | Standalone |
| F3S-TGR-CL2A-014-1500 | Advanced | 14 mm           | 1500        | Standalone |
| F3S-TGR-CL2A-014-1650 | Advanced | 14 mm           | 1650        | Standalone |
| F3S-TGR-CL2A-014-1800 | Advanced | 14 mm           | 1800        | Standalone |
| F3S-TGR-CL2A-014-1950 | Advanced | 14 mm           | 1950        | Standalone |
| F3S-TGR-CL2A-014-2100 | Advanced | 14 mm           | 2100        | Standalone |
| F3S-TGR-CL2A-014-2250 | Advanced | 14 mm           | 2250        | Standalone |
| F3S-TGR-CL2A-014-2400 | Advanced | 14 mm           | 2400        | Standalone |

**14-10-2 Safety Category 2, 35 mm resolution, Standalone unit**

| Type Name             | Version | Resolution [mm] | Length [mm] | Operation  |
|-----------------------|---------|-----------------|-------------|------------|
| F3S-TGR-CL2B-035-0150 | Basic   | 35 mm           | 150         | Standalone |
| F3S-TGR-CL2B-035-0300 | Basic   | 35 mm           | 300         | Standalone |
| F3S-TGR-CL2B-035-0450 | Basic   | 35 mm           | 450         | Standalone |
| F3S-TGR-CL2B-035-0600 | Basic   | 35 mm           | 600         | Standalone |
| F3S-TGR-CL2B-035-0750 | Basic   | 35 mm           | 750         | Standalone |
| F3S-TGR-CL2B-035-0900 | Basic   | 35 mm           | 900         | Standalone |
| F3S-TGR-CL2B-035-1050 | Basic   | 35 mm           | 1050        | Standalone |
| F3S-TGR-CL2B-035-1200 | Basic   | 35 mm           | 1200        | Standalone |
| F3S-TGR-CL2B-035-1350 | Basic   | 35 mm           | 1350        | Standalone |
| F3S-TGR-CL2B-035-1500 | Basic   | 35 mm           | 1500        | Standalone |
| F3S-TGR-CL2B-035-1650 | Basic   | 35 mm           | 1650        | Standalone |
| F3S-TGR-CL2B-035-1800 | Basic   | 35 mm           | 1800        | Standalone |
| F3S-TGR-CL2B-035-1950 | Basic   | 35 mm           | 1950        | Standalone |
| F3S-TGR-CL2B-035-2100 | Basic   | 35 mm           | 2100        | Standalone |
| F3S-TGR-CL2B-035-2250 | Basic   | 35 mm           | 2250        | Standalone |
| F3S-TGR-CL2B-035-2400 | Basic   | 35 mm           | 2400        | Standalone |

| Type Name             | Version  | Resolution [mm] | Length [mm] | Operation  |
|-----------------------|----------|-----------------|-------------|------------|
| F3S-TGR-CL2A-035-0150 | Advanced | 35 mm           | 150         | Standalone |
| F3S-TGR-CL2A-035-0300 | Advanced | 35 mm           | 300         | Standalone |
| F3S-TGR-CL2A-035-0450 | Advanced | 35 mm           | 450         | Standalone |
| F3S-TGR-CL2A-035-0600 | Advanced | 35 mm           | 600         | Standalone |
| F3S-TGR-CL2A-035-0750 | Advanced | 35 mm           | 750         | Standalone |
| F3S-TGR-CL2A-035-0900 | Advanced | 35 mm           | 900         | Standalone |
| F3S-TGR-CL2A-035-1050 | Advanced | 35 mm           | 1050        | Standalone |
| F3S-TGR-CL2A-035-1200 | Advanced | 35 mm           | 1200        | Standalone |
| F3S-TGR-CL2A-035-1350 | Advanced | 35 mm           | 1350        | Standalone |
| F3S-TGR-CL2A-035-1500 | Advanced | 35 mm           | 1500        | Standalone |
| F3S-TGR-CL2A-035-1650 | Advanced | 35 mm           | 1650        | Standalone |
| F3S-TGR-CL2A-035-1800 | Advanced | 35 mm           | 1800        | Standalone |
| F3S-TGR-CL2A-035-1950 | Advanced | 35 mm           | 1950        | Standalone |
| F3S-TGR-CL2A-035-2100 | Advanced | 35 mm           | 2100        | Standalone |
| F3S-TGR-CL2A-035-2250 | Advanced | 35 mm           | 2250        | Standalone |
| F3S-TGR-CL2A-035-2400 | Advanced | 35 mm           | 2400        | Standalone |

**14-10-3 Safety Category 4, 14 mm resolution, Standalone unit**

| Type Name             | Version | Resolution [mm] | Length [mm] | Operation  |
|-----------------------|---------|-----------------|-------------|------------|
| F3S-TGR-CL4B-014-0150 | Basic   | 14 mm           | 150         | Standalone |
| F3S-TGR-CL4B-014-0300 | Basic   | 14 mm           | 300         | Standalone |
| F3S-TGR-CL4B-014-0450 | Basic   | 14 mm           | 450         | Standalone |
| F3S-TGR-CL4B-014-0600 | Basic   | 14 mm           | 600         | Standalone |
| F3S-TGR-CL4B-014-0750 | Basic   | 14 mm           | 750         | Standalone |
| F3S-TGR-CL4B-014-0900 | Basic   | 14 mm           | 900         | Standalone |
| F3S-TGR-CL4B-014-1050 | Basic   | 14 mm           | 1050        | Standalone |
| F3S-TGR-CL4B-014-1200 | Basic   | 14 mm           | 1200        | Standalone |
| F3S-TGR-CL4B-014-1350 | Basic   | 14 mm           | 1350        | Standalone |
| F3S-TGR-CL4B-014-1500 | Basic   | 14 mm           | 1500        | Standalone |
| F3S-TGR-CL4B-014-1650 | Basic   | 14 mm           | 1650        | Standalone |
| F3S-TGR-CL4B-014-1800 | Basic   | 14 mm           | 1800        | Standalone |
| F3S-TGR-CL4B-014-1950 | Basic   | 14 mm           | 1950        | Standalone |
| F3S-TGR-CL4B-014-2100 | Basic   | 14 mm           | 2100        | Standalone |
| F3S-TGR-CL4B-014-2250 | Basic   | 14 mm           | 2250        | Standalone |
| F3S-TGR-CL4B-014-2400 | Basic   | 14 mm           | 2400        | Standalone |

| Type Name             | Version  | Resolution [mm] | Length [mm] | Operation  |
|-----------------------|----------|-----------------|-------------|------------|
| F3S-TGR-CL4A-014-0150 | Advanced | 14 mm           | 150         | Standalone |
| F3S-TGR-CL4A-014-0300 | Advanced | 14 mm           | 300         | Standalone |
| F3S-TGR-CL4A-014-0450 | Advanced | 14 mm           | 450         | Standalone |
| F3S-TGR-CL4A-014-0600 | Advanced | 14 mm           | 600         | Standalone |
| F3S-TGR-CL4A-014-0750 | Advanced | 14 mm           | 750         | Standalone |
| F3S-TGR-CL4A-014-0900 | Advanced | 14 mm           | 900         | Standalone |
| F3S-TGR-CL4A-014-1050 | Advanced | 14 mm           | 1050        | Standalone |
| F3S-TGR-CL4A-014-1200 | Advanced | 14 mm           | 1200        | Standalone |
| F3S-TGR-CL4A-014-1350 | Advanced | 14 mm           | 1350        | Standalone |
| F3S-TGR-CL4A-014-1500 | Advanced | 14 mm           | 1500        | Standalone |
| F3S-TGR-CL4A-014-1650 | Advanced | 14 mm           | 1650        | Standalone |
| F3S-TGR-CL4A-014-1800 | Advanced | 14 mm           | 1800        | Standalone |
| F3S-TGR-CL4A-014-1950 | Advanced | 14 mm           | 1950        | Standalone |
| F3S-TGR-CL4A-014-2100 | Advanced | 14 mm           | 2100        | Standalone |
| F3S-TGR-CL4A-014-2250 | Advanced | 14 mm           | 2250        | Standalone |
| F3S-TGR-CL4A-014-2400 | Advanced | 14 mm           | 2400        | Standalone |



**14-10-4 Safety Category 4, 35 mm resolution, Standalone unit**

| Type Name             | Version | Resolution [mm] | Length [mm] | Operation  |
|-----------------------|---------|-----------------|-------------|------------|
| F3S-TGR-CL4B-035-0150 | Basic   | 35 mm           | 150         | Standalone |
| F3S-TGR-CL4B-035-0300 | Basic   | 35 mm           | 300         | Standalone |
| F3S-TGR-CL4B-035-0450 | Basic   | 35 mm           | 450         | Standalone |
| F3S-TGR-CL4B-035-0600 | Basic   | 35 mm           | 600         | Standalone |
| F3S-TGR-CL4B-035-0750 | Basic   | 35 mm           | 750         | Standalone |
| F3S-TGR-CL4B-035-0900 | Basic   | 35 mm           | 900         | Standalone |
| F3S-TGR-CL4B-035-1050 | Basic   | 35 mm           | 1050        | Standalone |
| F3S-TGR-CL4B-035-1200 | Basic   | 35 mm           | 1200        | Standalone |
| F3S-TGR-CL4B-035-1350 | Basic   | 35 mm           | 1350        | Standalone |
| F3S-TGR-CL4B-035-1500 | Basic   | 35 mm           | 1500        | Standalone |
| F3S-TGR-CL4B-035-1650 | Basic   | 35 mm           | 1650        | Standalone |
| F3S-TGR-CL4B-035-1800 | Basic   | 35 mm           | 1800        | Standalone |
| F3S-TGR-CL4B-035-1950 | Basic   | 35 mm           | 1950        | Standalone |
| F3S-TGR-CL4B-035-2100 | Basic   | 35 mm           | 2100        | Standalone |
| F3S-TGR-CL4B-035-2250 | Basic   | 35 mm           | 2250        | Standalone |
| F3S-TGR-CL4B-035-2400 | Basic   | 35 mm           | 2400        | Standalone |

| Type Name             | Version  | Resolution [mm] | Length [mm] | Operation  |
|-----------------------|----------|-----------------|-------------|------------|
| F3S-TGR-CL4A-035-0150 | Advanced | 35 mm           | 150         | Standalone |
| F3S-TGR-CL4A-035-0300 | Advanced | 35 mm           | 300         | Standalone |
| F3S-TGR-CL4A-035-0450 | Advanced | 35 mm           | 450         | Standalone |
| F3S-TGR-CL4A-035-0600 | Advanced | 35 mm           | 600         | Standalone |
| F3S-TGR-CL4A-035-0750 | Advanced | 35 mm           | 750         | Standalone |
| F3S-TGR-CL4A-035-0900 | Advanced | 35 mm           | 900         | Standalone |
| F3S-TGR-CL4A-035-1050 | Advanced | 35 mm           | 1050        | Standalone |
| F3S-TGR-CL4A-035-1200 | Advanced | 35 mm           | 1200        | Standalone |
| F3S-TGR-CL4A-035-1350 | Advanced | 35 mm           | 1350        | Standalone |
| F3S-TGR-CL4A-035-1500 | Advanced | 35 mm           | 1500        | Standalone |
| F3S-TGR-CL4A-035-1650 | Advanced | 35 mm           | 1650        | Standalone |
| F3S-TGR-CL4A-035-1800 | Advanced | 35 mm           | 1800        | Standalone |
| F3S-TGR-CL4A-035-1950 | Advanced | 35 mm           | 1950        | Standalone |
| F3S-TGR-CL4A-035-2100 | Advanced | 35 mm           | 2100        | Standalone |
| F3S-TGR-CL4A-035-2250 | Advanced | 35 mm           | 2250        | Standalone |
| F3S-TGR-CL4A-035-2400 | Advanced | 35 mm           | 2400        | Standalone |

## 14-11 List of models in MIX operation

### 14-11-1 Safety Category 2, 14 mm resolution, Master unit

| Type Name              | Version  | Resolution [mm] | Length [mm] | Operation |
|------------------------|----------|-----------------|-------------|-----------|
| F3S-TGR-CL2A-014-0150M | Advanced | 14 mm           | 150         | Master    |
| F3S-TGR-CL2A-014-0300M | Advanced | 14 mm           | 300         | Master    |
| F3S-TGR-CL2A-014-0450M | Advanced | 14 mm           | 450         | Master    |
| F3S-TGR-CL2A-014-0600M | Advanced | 14 mm           | 600         | Master    |
| F3S-TGR-CL2A-014-0750M | Advanced | 14 mm           | 750         | Master    |
| F3S-TGR-CL2A-014-0900M | Advanced | 14 mm           | 900         | Master    |
| F3S-TGR-CL2A-014-1050M | Advanced | 14 mm           | 1050        | Master    |
| F3S-TGR-CL2A-014-1200M | Advanced | 14 mm           | 1200        | Master    |
| F3S-TGR-CL2A-014-1350M | Advanced | 14 mm           | 1350        | Master    |
| F3S-TGR-CL2A-014-1500M | Advanced | 14 mm           | 1500        | Master    |
| F3S-TGR-CL2A-014-1650M | Advanced | 14 mm           | 1650        | Master    |
| F3S-TGR-CL2A-014-1800M | Advanced | 14 mm           | 1800        | Master    |
| F3S-TGR-CL2A-014-1950M | Advanced | 14 mm           | 1950        | Master    |
| F3S-TGR-CL2A-014-2100M | Advanced | 14 mm           | 2100        | Master    |
| F3S-TGR-CL2A-014-2250M | Advanced | 14 mm           | 2250        | Master    |

### 14-11-2 Safety Category 2, 35 mm resolution, Master unit

| Type Name              | Version  | Resolution [mm] | Length [mm] | Operation |
|------------------------|----------|-----------------|-------------|-----------|
| F3S-TGR-CL2A-035-0150M | Advanced | 35 mm           | 150         | Master    |
| F3S-TGR-CL2A-035-0300M | Advanced | 35 mm           | 300         | Master    |
| F3S-TGR-CL2A-035-0450M | Advanced | 35 mm           | 450         | Master    |
| F3S-TGR-CL2A-035-0600M | Advanced | 35 mm           | 600         | Master    |
| F3S-TGR-CL2A-035-0750M | Advanced | 35 mm           | 750         | Master    |
| F3S-TGR-CL2A-035-0900M | Advanced | 35 mm           | 900         | Master    |
| F3S-TGR-CL2A-035-1050M | Advanced | 35 mm           | 1050        | Master    |
| F3S-TGR-CL2A-035-1200M | Advanced | 35 mm           | 1200        | Master    |
| F3S-TGR-CL2A-035-1350M | Advanced | 35 mm           | 1350        | Master    |
| F3S-TGR-CL2A-035-1500M | Advanced | 35 mm           | 1500        | Master    |
| F3S-TGR-CL2A-035-1650M | Advanced | 35 mm           | 1650        | Master    |
| F3S-TGR-CL2A-035-1800M | Advanced | 35 mm           | 1800        | Master    |
| F3S-TGR-CL2A-035-1950M | Advanced | 35 mm           | 1950        | Master    |
| F3S-TGR-CL2A-035-2100M | Advanced | 35 mm           | 2100        | Master    |
| F3S-TGR-CL2A-035-2250M | Advanced | 35 mm           | 2250        | Master    |

**14-11-3 Safety Category 4, 14 mm resolution, Master unit**

| Type Name              | Version  | Resolution [mm] | Length [mm] | Operation |
|------------------------|----------|-----------------|-------------|-----------|
| F3S-TGR-CL4A-014-0150M | Advanced | 14 mm           | 150         | Master    |
| F3S-TGR-CL4A-014-0300M | Advanced | 14 mm           | 300         | Master    |
| F3S-TGR-CL4A-014-0450M | Advanced | 14 mm           | 450         | Master    |
| F3S-TGR-CL4A-014-0600M | Advanced | 14 mm           | 600         | Master    |
| F3S-TGR-CL4A-014-0750M | Advanced | 14 mm           | 750         | Master    |
| F3S-TGR-CL4A-014-0900M | Advanced | 14 mm           | 900         | Master    |
| F3S-TGR-CL4A-014-1050M | Advanced | 14 mm           | 1050        | Master    |
| F3S-TGR-CL4A-014-1200M | Advanced | 14 mm           | 1200        | Master    |
| F3S-TGR-CL4A-014-1350M | Advanced | 14 mm           | 1350        | Master    |
| F3S-TGR-CL4A-014-1500M | Advanced | 14 mm           | 1500        | Master    |
| F3S-TGR-CL4A-014-1650M | Advanced | 14 mm           | 1650        | Master    |
| F3S-TGR-CL4A-014-1800M | Advanced | 14 mm           | 1800        | Master    |
| F3S-TGR-CL4A-014-1950M | Advanced | 14 mm           | 1950        | Master    |
| F3S-TGR-CL4A-014-2100M | Advanced | 14 mm           | 2100        | Master    |
| F3S-TGR-CL4A-014-2250M | Advanced | 14 mm           | 2250        | Master    |

**14-11-4 Safety Category 4, 35 mm resolution, Master unit**

| Type Name              | Version  | Resolution [mm] | Length [mm] | Operation |
|------------------------|----------|-----------------|-------------|-----------|
| F3S-TGR-CL4A-035-0150M | Advanced | 35 mm           | 150         | Master    |
| F3S-TGR-CL4A-035-0300M | Advanced | 35 mm           | 300         | Master    |
| F3S-TGR-CL4A-035-0450M | Advanced | 35 mm           | 450         | Master    |
| F3S-TGR-CL4A-035-0600M | Advanced | 35 mm           | 600         | Master    |
| F3S-TGR-CL4A-035-0750M | Advanced | 35 mm           | 750         | Master    |
| F3S-TGR-CL4A-035-0900M | Advanced | 35 mm           | 900         | Master    |
| F3S-TGR-CL4A-035-1050M | Advanced | 35 mm           | 1050        | Master    |
| F3S-TGR-CL4A-035-1200M | Advanced | 35 mm           | 1200        | Master    |
| F3S-TGR-CL4A-035-1350M | Advanced | 35 mm           | 1350        | Master    |
| F3S-TGR-CL4A-035-1500M | Advanced | 35 mm           | 1500        | Master    |
| F3S-TGR-CL4A-035-1650M | Advanced | 35 mm           | 1650        | Master    |
| F3S-TGR-CL4A-035-1800M | Advanced | 35 mm           | 1800        | Master    |
| F3S-TGR-CL4A-035-1950M | Advanced | 35 mm           | 1950        | Master    |
| F3S-TGR-CL4A-035-2100M | Advanced | 35 mm           | 2100        | Master    |
| F3S-TGR-CL4A-035-2250M | Advanced | 35 mm           | 2250        | Master    |

**14-11-5 Safety Category 2, 14 mm resolution, Slave unit**

| Type Name              | Version  | Resolution [mm] | Length [mm] | Operation |
|------------------------|----------|-----------------|-------------|-----------|
| F3S-TGR-CL2A-014-0150S | Advanced | 14 mm           | 150         | Slave     |
| F3S-TGR-CL2A-014-0300S | Advanced | 14 mm           | 300         | Slave     |
| F3S-TGR-CL2A-014-0450S | Advanced | 14 mm           | 450         | Slave     |
| F3S-TGR-CL2A-014-0600S | Advanced | 14 mm           | 600         | Slave     |
| F3S-TGR-CL2A-014-0750S | Advanced | 14 mm           | 750         | Slave     |
| F3S-TGR-CL2A-014-0900S | Advanced | 14 mm           | 900         | Slave     |
| F3S-TGR-CL2A-014-1050S | Advanced | 14 mm           | 1050        | Slave     |
| F3S-TGR-CL2A-014-1200S | Advanced | 14 mm           | 1200        | Slave     |
| F3S-TGR-CL2A-014-1350S | Advanced | 14 mm           | 1350        | Slave     |
| F3S-TGR-CL2A-014-1500S | Advanced | 14 mm           | 1500        | Slave     |
| F3S-TGR-CL2A-014-1650S | Advanced | 14 mm           | 1650        | Slave     |
| F3S-TGR-CL2A-014-1800S | Advanced | 14 mm           | 1800        | Slave     |
| F3S-TGR-CL2A-014-1950S | Advanced | 14 mm           | 1950        | Slave     |
| F3S-TGR-CL2A-014-2100S | Advanced | 14 mm           | 2100        | Slave     |
| F3S-TGR-CL2A-014-2250S | Advanced | 14 mm           | 2250        | Slave     |

**14-11-6 Safety Category 2, 35 mm resolution, Slave unit**

| Type Name              | Version  | Resolution [mm] | Length [mm] | Operation |
|------------------------|----------|-----------------|-------------|-----------|
| F3S-TGR-CL2A-035-0150S | Advanced | 35 mm           | 150         | Slave     |
| F3S-TGR-CL2A-035-0300S | Advanced | 35 mm           | 300         | Slave     |
| F3S-TGR-CL2A-035-0450S | Advanced | 35 mm           | 450         | Slave     |
| F3S-TGR-CL2A-035-0600S | Advanced | 35 mm           | 600         | Slave     |
| F3S-TGR-CL2A-035-0750S | Advanced | 35 mm           | 750         | Slave     |
| F3S-TGR-CL2A-035-0900S | Advanced | 35 mm           | 900         | Slave     |
| F3S-TGR-CL2A-035-1050S | Advanced | 35 mm           | 1050        | Slave     |
| F3S-TGR-CL2A-035-1200S | Advanced | 35 mm           | 1200        | Slave     |
| F3S-TGR-CL2A-035-1350S | Advanced | 35 mm           | 1350        | Slave     |
| F3S-TGR-CL2A-035-1500S | Advanced | 35 mm           | 1500        | Slave     |
| F3S-TGR-CL2A-035-1650S | Advanced | 35 mm           | 1650        | Slave     |
| F3S-TGR-CL2A-035-1800S | Advanced | 35 mm           | 1800        | Slave     |
| F3S-TGR-CL2A-035-1950S | Advanced | 35 mm           | 1950        | Slave     |
| F3S-TGR-CL2A-035-2100S | Advanced | 35 mm           | 2100        | Slave     |
| F3S-TGR-CL2A-035-2250S | Advanced | 35 mm           | 2250        | Slave     |

**14-11-7 Safety Category 4, 14 mm resolution, Slave unit**

| Type Name              | Version  | Resolution [mm] | Length [mm] | Operation |
|------------------------|----------|-----------------|-------------|-----------|
| F3S-TGR-CL4A-014-0150S | Advanced | 14 mm           | 150         | Slave     |
| F3S-TGR-CL4A-014-0300S | Advanced | 14 mm           | 300         | Slave     |
| F3S-TGR-CL4A-014-0450S | Advanced | 14 mm           | 450         | Slave     |
| F3S-TGR-CL4A-014-0600S | Advanced | 14 mm           | 600         | Slave     |
| F3S-TGR-CL4A-014-0750S | Advanced | 14 mm           | 750         | Slave     |
| F3S-TGR-CL4A-014-0900S | Advanced | 14 mm           | 900         | Slave     |
| F3S-TGR-CL4A-014-1050S | Advanced | 14 mm           | 1050        | Slave     |
| F3S-TGR-CL4A-014-1200S | Advanced | 14 mm           | 1200        | Slave     |
| F3S-TGR-CL4A-014-1350S | Advanced | 14 mm           | 1350        | Slave     |
| F3S-TGR-CL4A-014-1500S | Advanced | 14 mm           | 1500        | Slave     |
| F3S-TGR-CL4A-014-1650S | Advanced | 14 mm           | 1650        | Slave     |
| F3S-TGR-CL4A-014-1800S | Advanced | 14 mm           | 1800        | Slave     |
| F3S-TGR-CL4A-014-1950S | Advanced | 14 mm           | 1950        | Slave     |
| F3S-TGR-CL4A-014-2100S | Advanced | 14 mm           | 2100        | Slave     |
| F3S-TGR-CL4A-014-2250S | Advanced | 14 mm           | 2250        | Slave     |

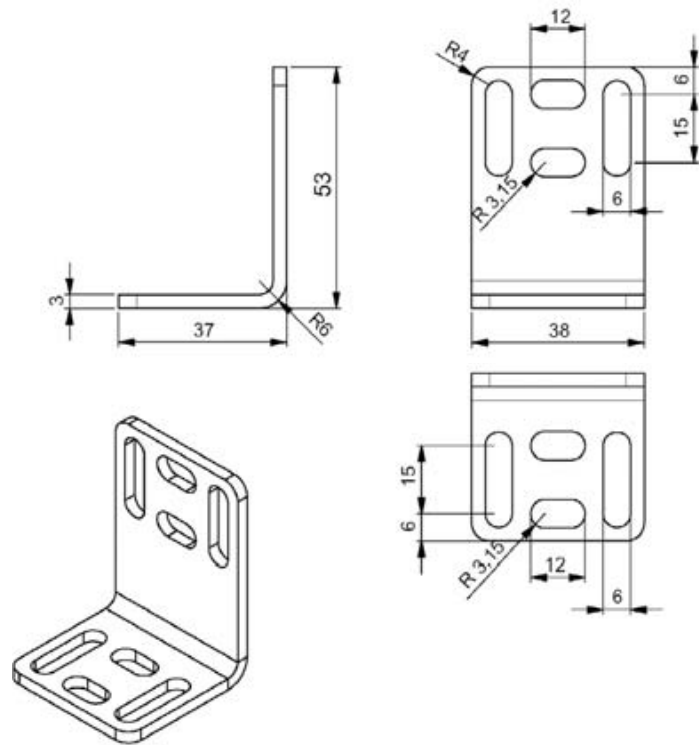
**14-11-8 Safety Category 4, 35 mm resolution, Slave unit**

| Type Name              | Version  | Resolution [mm] | Length [mm] | Operation |
|------------------------|----------|-----------------|-------------|-----------|
| F3S-TGR-CL4A-035-0150S | Advanced | 35 mm           | 150         | Slave     |
| F3S-TGR-CL4A-035-0300S | Advanced | 35 mm           | 300         | Slave     |
| F3S-TGR-CL4A-035-0450S | Advanced | 35 mm           | 450         | Slave     |
| F3S-TGR-CL4A-035-0600S | Advanced | 35 mm           | 600         | Slave     |
| F3S-TGR-CL4A-035-0750S | Advanced | 35 mm           | 750         | Slave     |
| F3S-TGR-CL4A-035-0900S | Advanced | 35 mm           | 900         | Slave     |
| F3S-TGR-CL4A-035-1050S | Advanced | 35 mm           | 1050        | Slave     |
| F3S-TGR-CL4A-035-1200S | Advanced | 35 mm           | 1200        | Slave     |
| F3S-TGR-CL4A-035-1350S | Advanced | 35 mm           | 1350        | Slave     |
| F3S-TGR-CL4A-035-1500S | Advanced | 35 mm           | 1500        | Slave     |
| F3S-TGR-CL4A-035-1650S | Advanced | 35 mm           | 1650        | Slave     |
| F3S-TGR-CL4A-035-1800S | Advanced | 35 mm           | 1800        | Slave     |
| F3S-TGR-CL4A-035-1950S | Advanced | 35 mm           | 1950        | Slave     |
| F3S-TGR-CL4A-035-2100S | Advanced | 35 mm           | 2100        | Slave     |
| F3S-TGR-CL4A-035-2250S | Advanced | 35 mm           | 2250        | Slave     |

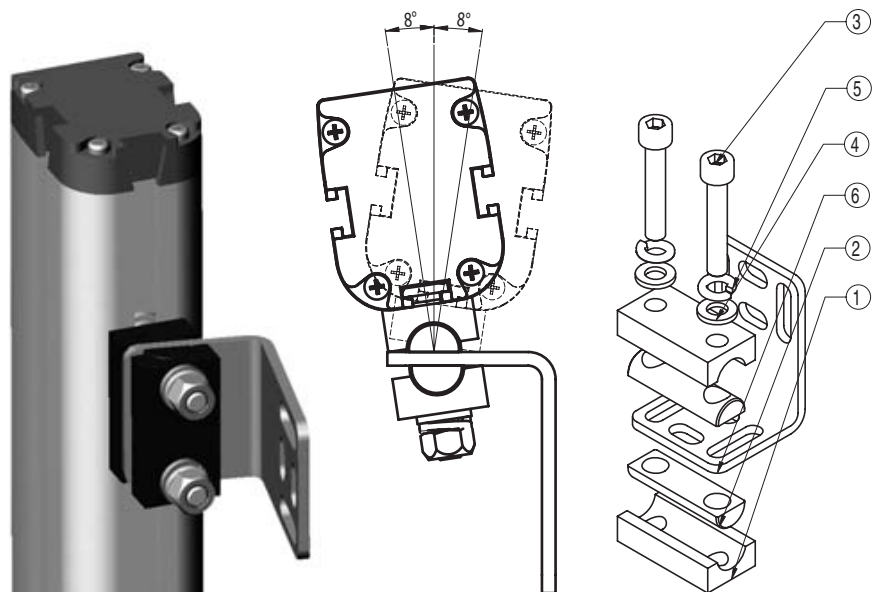
## 14-12 Accessories

### 14-12-1 Mechanical accessories

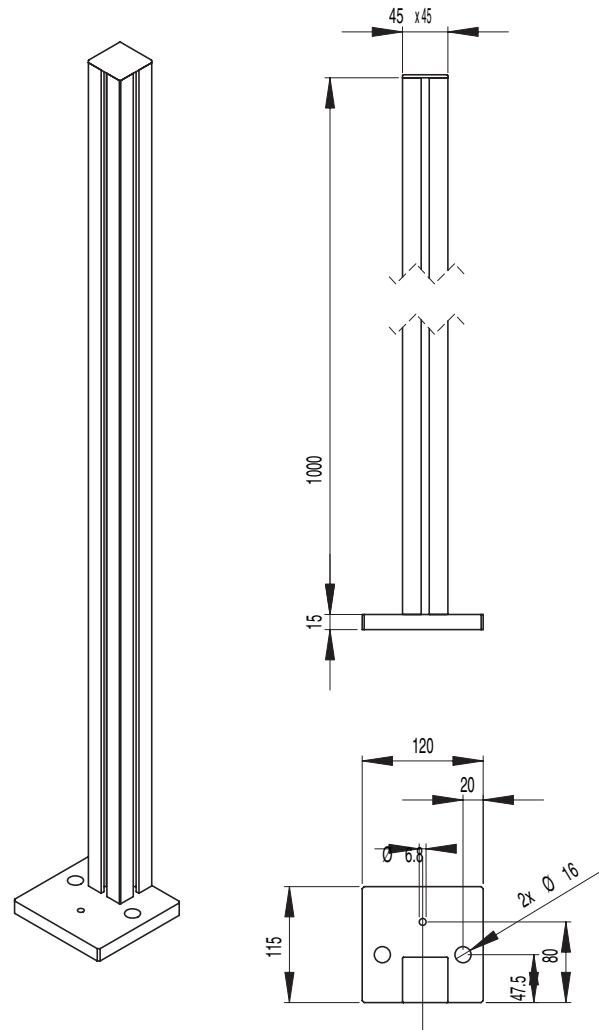
Mounting bracket F39-TGR-ST-SB (included)



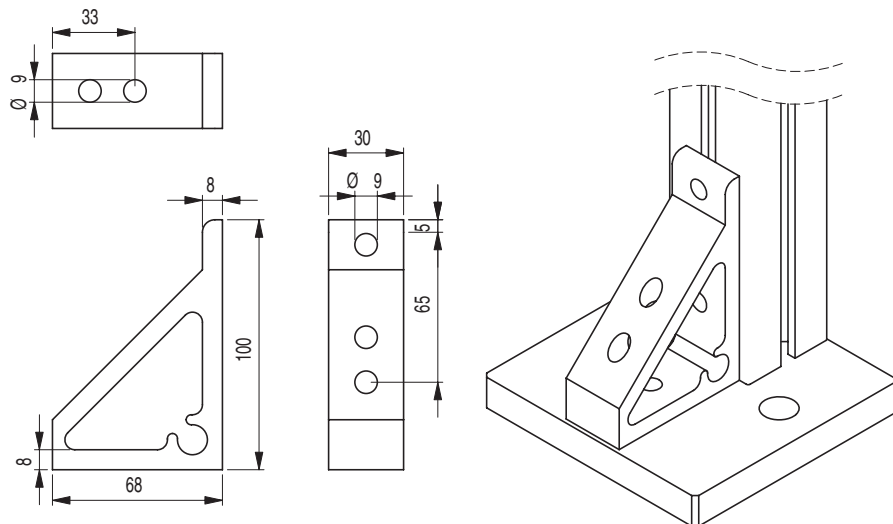
Mounting bracket F39-TGR-ST-ADJ



Stands  
ECO-1

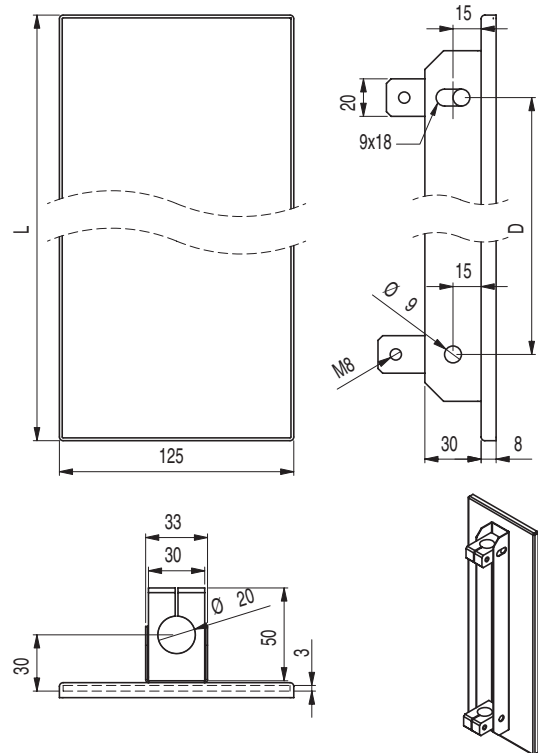


90° bracket ECO-L



### 14-12-2 Mirrors

| Model            | Height L |
|------------------|----------|
| F39-TGR-MDG-0310 | 362      |
| F39-TGR-MDG-0460 | 512      |
| F39-TGR-MDG-0607 | 658      |
| F39-TGR-MDG-0750 | 801      |
| F39-TGR-MDG-0907 | 958      |
| F39-TGR-MDG-1057 | 1108     |
| F39-TGR-MDG-1207 | 1258     |
| F39-TGR-MDG-1357 | 1408     |
| F39-TGR-MDG-1500 | 1551     |
| F39-TGR-MDG-1657 | 1708     |
| F39-TGR-MDG-1822 | 1873     |



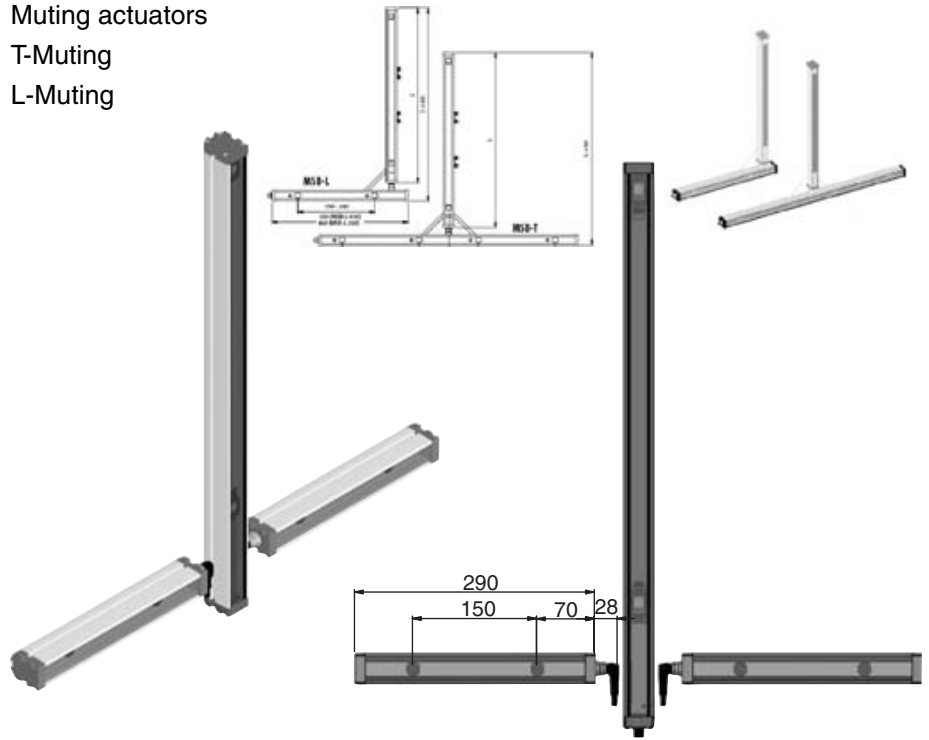
### 14-12-3 Safety Relay Units

| Family            | Type Name           | Configuration                           |
|-------------------|---------------------|---|
| G9SB              | G9SB-200-D          | DPST-NO                                 |
|                   | G9SB-301-D          | 3PST-NO                                 |
| G9SA              | G9SA-301            | 3PST-NO                                 |
|                   | G9SA-501            | 5PST-NO                                 |
|                   | G9SA-321-T075       | 3PST-NO, Time del. 7.5 s                |
|                   | G9SA-321-T15        | 3PST-NO, Time del. 15 s                 |
|                   | G9SA-321-T30        | 3PST-NO, Time del. 30 s                 |
| G9SX              | G9SX-BC202-RT       | 2 Safe Outputs                          |
|                   | G9SX-BC202-RC       | 2 Safe Outputs                          |
|                   | G9SX-AD322-T15-RT   | 3 Safe Outputs, Time del. 15 s          |
|                   | G9SX-AD322-T15-RC   | 3 Safe Outputs, Time del. 15 s          |
|                   | G9SX-AD322-T150-RT  | 3 Safe Outputs, Time del. 150 s         |
|                   | G9SX-AD322-T150-RC  | 3 Safe Outputs, Time del. 150 s         |
|                   | G9SX-ADA222-T15-RT  | 2 Safe Outputs, Time del. 15 s          |
|                   | G9SX-ADA222-T15-RC  | 2 Safe Outputs, Time del. 15 s          |
|                   | G9SX-ADA222-T150-RT | 2 Safe Outputs, Time del. 150 s         |
|                   | G9SX-ADA222-T150-RC | 2 Safe Outputs, Time del. 150 s         |
| DeviceNet-Safety  | NE1A-SCPU01         | 16 In, 8 Out, Safety Master             |
|                   | NE1A-SCPU02         | 40 In, 8 Out, Safety Master             |
| Safety Controller | NE1A-SCPU01L        | 16 In, 8 Out                            |
|                   | NE1A-SCPU02L        | 40 In, 8 Out                            |
| Relay interface   | F39-TGR-SB-R        | Relay interface for Semiconductor OSSDs |



### 14-12-4 Muting Accessories

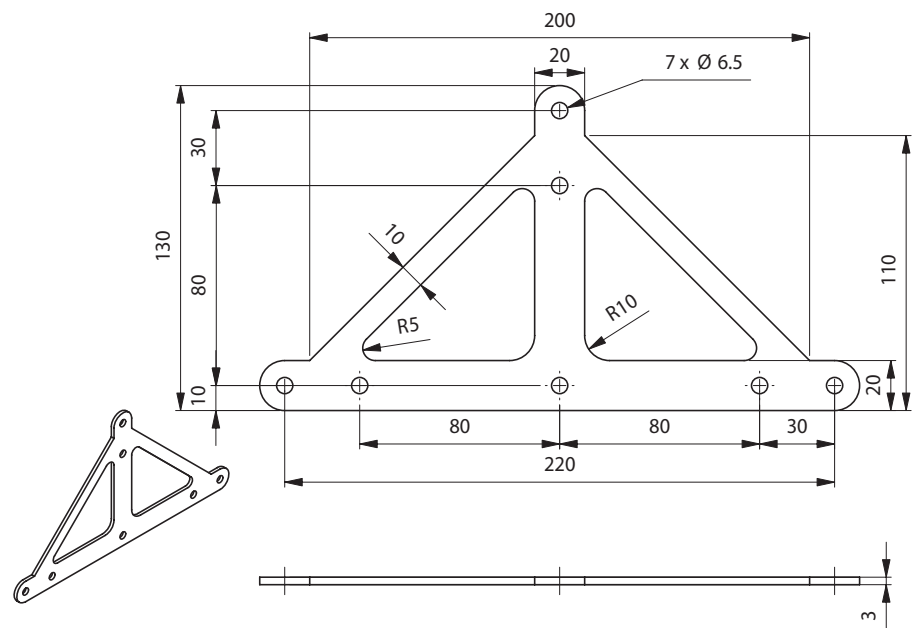
Muting actuators  
T-Muting  
L-Muting



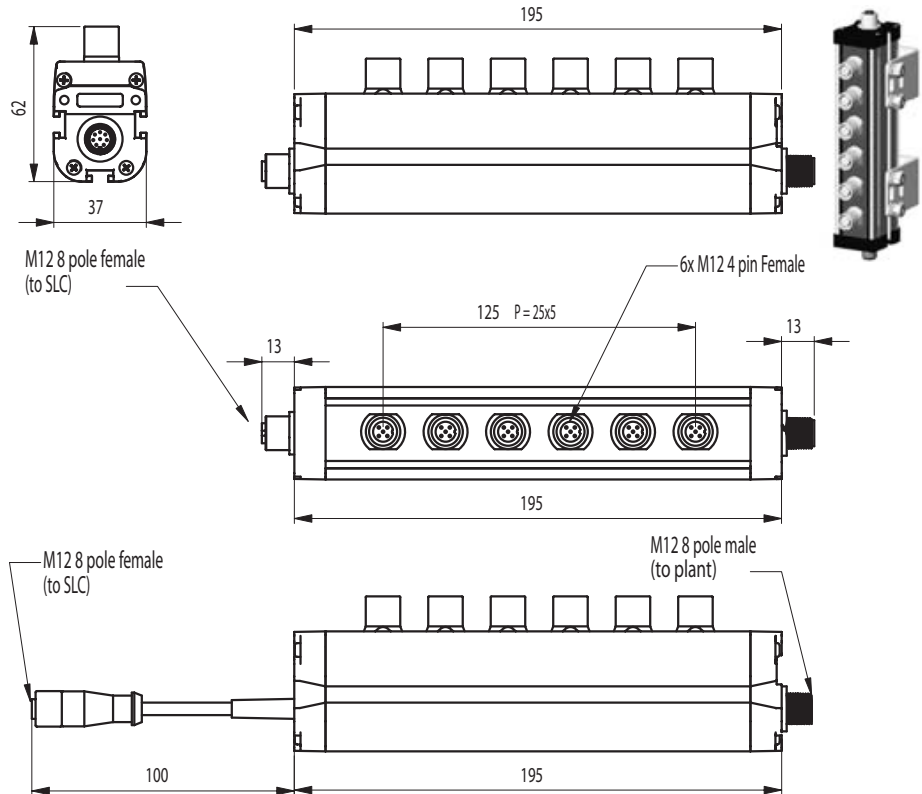
Mounting brackets

F39-TGR-ST-MSB-L

F39-TGR-ST-MSB-T

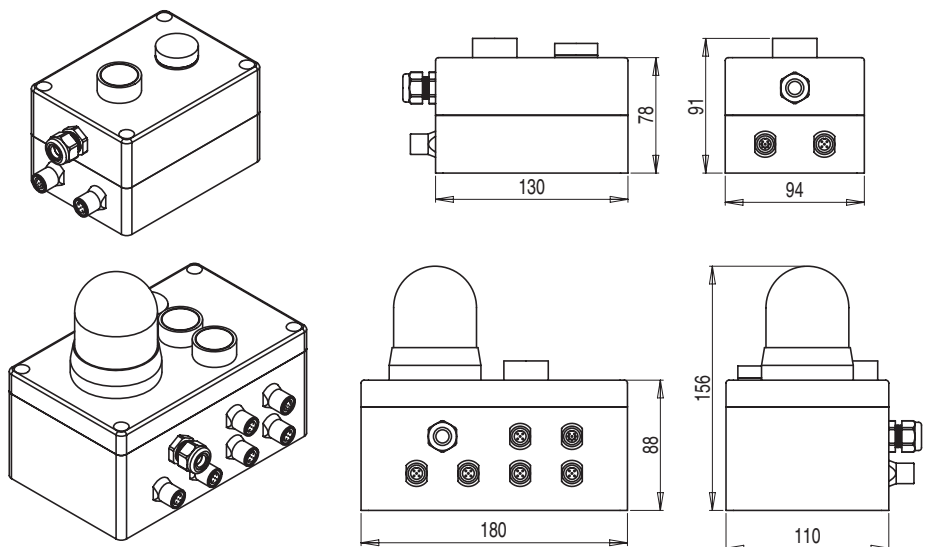


Connection and Control boxes



Please refer to *Cables* on page 69 for the system connection cables.

Control boxes



|                  | Test/Restart Pushbutton | M12 connectors for Transmitter and Receiver | Auxiliary contact | Status indicator for Safety Outputs | Muting indicator | Muting lamp | Override switch (key operation) | M12 connectors for Muting sensors |
|------------------|-------------------------|---|-------------------|-------------------------------------|------------------|-------------|---------------------------------|-----------------------------------|
| F39-TGR-W-IBOX-1 | ✓                       | ✓   | ✓                 | -                                   | -                | -           | -                               | -                                 |
| F39-TGR-W-IBOX-2 | ✓                       | ✓   | ✓                 | -                                   | ✓                | -           | ✓                               | -                                 |
| F39-TGR-W-IBOX-3 | ✓                       | ✓   | ✓                 | -                                   | -                | ✓           | ✓                               | -                                 |
| F39-TGR-W-IBOX-4 | ✓                       | ✓   | ✓                 | ✓                                   | -                | ✓           | ✓                               | ✓                                 |

Please refer to *Cables* on page 69 for the system connection cables.

## 14-12-5 Cables

Standard cables

| <b>Receiver Cables (M12-8pin, shielded, flying leads)</b> |                            |
|---|----------------------------|
| F39-TGR-CVL-B-2-R   | Receiver Cable, 2m length  |
| F39-TGR-CVL-B-5-R   | Receiver Cable, 5m length  |
| F39-TGR-CVL-B-10-R  | Receiver Cable, 10m length |
| F39-TGR-CVL-B-20-R  | Receiver Cable, 20m length |
| F39-TGR-CVL-B-25-R  | Receiver Cable, 25m length |

| <b>Transmitter Cables (M12-4pin, shielded, flying leads)</b> |                               |
|--|-------------------------------|
| F39-TGR-CVL-B-2-T  | Transmitter Cable, 2m length  |
| F39-TGR-CVL-B-5-T  | Transmitter Cable, 5m length  |
| F39-TGR-CVL-B-10-T   | Transmitter Cable, 10m length |
| F39-TGR-CVL-B-20-T   | Transmitter Cable, 20m length |
| F39-TGR-CVL-B-25-T   | Transmitter Cable, 25m length |

Connector cables F3S-TGR-CL → F39-TGR-W-IBOX

| <b>Receiver Cables (M12-8pin, male/female connector)</b> |                            |
|--|----------------------------|
| F39-TGR-CVL-B-2-RR                                       | Receiver Cable, 2m length  |
| F39-TGR-CVL-B-5-RR                                       | Receiver Cable, 5m length  |
| F39-TGR-CVL-B-10-RR                                      | Receiver Cable, 10m length |

| <b>Transmitter Cables (M12-4pin, male/female connector)</b> |                               |
|---|-------------------------------|
| F39-TGR-CVL-B-2-EE  | Transmitter Cable, 2m length  |
| F39-TGR-CVL-B-5-EE  | Transmitter Cable, 5m length  |
| F39-TGR-CVL-B-10-EE   | Transmitter Cable, 10m length |

Connector cables F3S-TGR-CL → F39-TGR-SB-CMB

| <b>Receiver Cables (M12-8pin, male/female connector)</b> |                               |
|--|-------------------------------|
| F39-TGR-CVL-B-06-R                                       | Connector cable, 600mm length |

Connector cables Muting sensors → F39-TGR-SB-CMB, F39-TGR-W-IBOX

| <b>Interconnect Cables (M12-4pin, male/female connector)</b> |                 |
|--|-----------------|
| F39-TGR-CVL-B-2-EE   | Connector cable |

Wiring accessories (connectors and Y-connector cables)

| Type                |  |
|---------------------|--|
| F39-TGR-CT-B-R      | Connector M12, 8-pin, female for wiring            |
| F39-TGR-CT-B-E      | Connector M12, 4-pin, female for wiring            |
| F39-TGR-CT-W-R      | Connector M12, 8-pin, male for wiring              |
| F39-TGR-CT-W-E      | Connector M12, 4-pin, male for wiring              |
| F39-TGR-CVL-D-B-5-R | Cable for Sensor system and muting lamp connection |

## SECTION 15

### Glossary




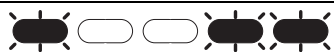



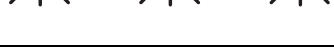
|   |   |
|---|---|
| Automatic Start                               | Upon completion of power-up, the ESPE will enter the MACHINE RUN state as soon as the detection zone is clear of opaque objects of the specified size.  |
| Detection Zone                                | The IR light sensing area of the ESPE. When a specified test piece enters this area then the ESPE must detect its presence and set its safety outputs to the OFF-state.   |
| Electro-Sensitive Protective Equipment (ESPE) | An assembly of devices and/or components working together for protective tripping or presence sensing purposes and comprising as a minimum: <ul style="list-style-type: none"> <li>• a sensing device</li> <li>• controlling/monitoring devices</li> <li>• output signal switching devices</li> </ul>                 |
| LOCKOUT condition                             | When the ESPE detects a fault, it transitions to this state. The OSSD will be held to the OFF-state and the ESPE will not attempt to leave this state without performing a comprehensive power up self-test. A power-up self test will be initiated by either cycling the ESPE power or by a Start signal transition. |
| MACHINE RUN                                   | When the ESPE is in this state, the two OSSD are both active. In this state the Green MACHINE RUN LED is on, the red MACHINE STOP LED is off and the Yellow INTERLOCK LED is off.   |
| MACHINE STOP                                  | When the ESPE is in this state, the two OSSD are both inactive. In this state the Green MACHINE RUN LED is off, the Red MACHINE STOP LED is on.   |
| OFF-STATE                                     | The state in which the output circuit is interrupted and does not permit the flow of current.   |
| ON-STATE                                      | The state in which the output circuit is completed and permits the flow of current.   |
| Output Signal Switching Device (OSSD)         | The safety output of the ESPE that is used to enable and disable the guarded machine.   |
| Response Time                                 | The maximum amount of time required for the ESPE to set its OSSD outputs to the OFF-state once the detection zone is blocked by an opaque object of the specified size.   |
| Start INTERLOCK                               | Upon completion of power-up, the ESPE must go to the "INTERLOCK" state. A Start signal transition must occur before going to MACHINE RUN for the first time. Once the first Start condition has been met, the ESPE will operate in the Automatic Start mode.  |
| Start/Restart INTER-LOCK                      | The ESPE will go into the INTERLOCK state upon completion of power-up and during zone violations which causes a transition to the MACHINE STOP state. A Start signal transition must occur before returning to MACHINE RUN following any transition to MACHINE STOP.  |

# SECTION 16

## Diagnostics and Troubleshooting

### 16-1 Receiver Diagnostic information

#### 16-1-1 Normal operation










| Disposition of indicator  | Name of indicator   | Colour |
|---|---|--------|
|    | POWER   | Green  |
|   | STATUS  | Yellow |
|   | GUARD   | Green  |
|   | BREAK   | Red    |
|   | INTERLOCK   | Yellow |
|   | <b>Description</b>  |        |
|    | MACHINE RUN state, OSSDs on   |        |
|    | MACHINE STOP state, OSSDs off   |        |
|    | Interlock, waiting for restart  |        |
|   | Alignment mode - best optical alignment   |        |
|  | Short circuit on output   |        |
|  | Special function active/special function status, please refer to the chapters "Setting F3S-TGR-CL features" on page 12 and "Control functions" on page 33 for details |        |
|  | Floating blanking active, additional object in the protective field   |        |

#### 16-1-2 Interlock LED indication

If a special function like pre-reset or single/double break is active, the Interlock LED uses blink codes to display the status.

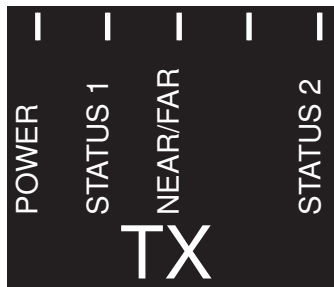


- 1 flash per second: Pre-reset mode active
- 2 flashes per second: Waiting for Restart on single/double break function
- 3 flashes per second: Normal operation of single/double break function

## 16-1-3 LED error indication

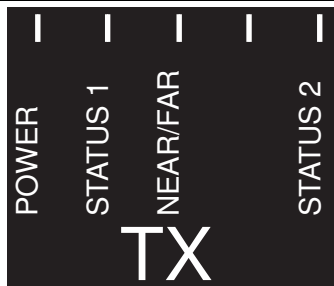



| Disposition of indicator  | Name of indicator  | Colour   |
|---|--|--|
|    | POWER  | Green  |
|   | STATUS   | Yellow   |
|   | GUARD  | Green  |
|   | BREAK  | Red  |
|   | INTERLOCK  | Yellow   |
|   | <b>Description of Error</b>  | <b>Corrective action needed</b>  |
|    | Low supply voltage   | Check if power-supply is within the specification (24 VDC±20%)   |
|    | Control logic fault  | Remove and reapply power. If the error is still present, contact your local Omron distributor                            |
|    | Error in Safety Outputs  | Check the wiring of the OSSD outputs.  |
|    | Muting lamp connection fault of muting lamp defective  | Check the connection of the muting lamp and/or check the condition of the muting lamp                                    |
|    | Mutual light interference  | Check the presence of ambient light sources close to the protection field. Use coding option or remove the light source. |
|    | Error in floating blanking mode. Object outside the blanking area or missing fixed blanking object | Check the position of the blanking object. Make sure it is inside the blanking area.                                     |
|  | EDM fault  | Check and correct EDM wiring.  |
|  | Error in pre-reset function  | Pre-reset condition was not met. Correct placement of the pre-reset switch to keep timing within the specification.      |

## 16-2 Transmitter Diagnostic information

### 16-2-1 Normal operation

| Disposition of indicator  | Name of indicator                      | Colour |
|---|--|--------|
|  | POWER                                  | Green  |
|   | STATUS 1                               | Yellow |
|   | NEAR/FAR                               | Green  |
|   | Not used                               | -      |
|   | STATUS 2                               | Yellow |
|   | <b>Description</b>                     |        |
|  | Normal operation, long range selected  |        |
|  | Normal operation, short range selected |        |

### 16-2-2 LED error indication

| Disposition of indicator  | Name of indicator           | Colour  |
|---|-----------------------------|---|
|   | POWER                       | Green   |
|   | STATUS 1                    | Yellow  |
|   | NEAR/FAR                    | Green   |
|   | Not used                    | -   |
|   | STATUS 2                    | Yellow  |
|   | <b>Description of Error</b> |   |
|  | Low supply voltage          | Check if power-supply is within the specification (24 VDC±20%)                                |
|  | Control logic fault         | Remove and reapply power. If the error is still present, contact your local Omron distributor |
|  | Error on range selection    | Check the setting of the selector switches for the range selection                            |

# SECTION 17

## Appendix

### 17-1 Checkout procedure log

The following checkout procedure must be performed by qualified personnel during initial F3S-TGR-CL system installation and at least every three months or more frequently depending on machine usage and company guidelines.

| Item   | Condition  | Comments |
|--|--|----------|
| Verify that the guarded machine is compatible with the type of machine which may be used with the F3S-TGR-CL system. See the chapter " <i>Safety precautions</i> " on page ix for further information.   | <input type="checkbox"/> Pass<br><input type="checkbox"/> Fail |          |
| Verify that the mounting distance of the F3S-TGR-CL system is equal to or greater than the minimum safe distance from the danger point. See the chapter " <i>Safe Mounting Distances</i> " on page 19 for further information.   | <input type="checkbox"/> Pass<br><input type="checkbox"/> Fail |          |
| Determine that all access to the danger point not protected by the F3S-TGR-CL system is guarded by other means, such as gates, fencing or other approved methods. Verify that all additional guarding devices are installed and operating properly.  | <input type="checkbox"/> Pass<br><input type="checkbox"/> Fail |          |
| Make sure the operator is not able to stand between the F3S-TGR-CL system detection zone and the machine danger point. Verify that the light curtain can only be reset from a position outside and within view of the hazardous machine area.  | <input type="checkbox"/> Pass<br><input type="checkbox"/> Fail |          |
| Inspect the electrical connections between the guarded machine's control system and the F3S-TGR-CL system. Verify that they are properly connected to the machine such that a stop signal from the F3S-TGR-CL system results in an immediate halt of the machine's cycle. See the chapter " <i>Connection to the Machine control circuit</i> " on page 29 for further information. | <input type="checkbox"/> Pass<br><input type="checkbox"/> Fail |          |
| If the EDM monitoring feature is not used, proceed to the next step. To test the EDM feature, verify that the feature has been enabled. Turn the machine power on. Cycle the machine. Place a temporary jumper wire between the EDM connections. The F3S-TGR-CL should enter an alarm condition. Remove the temporary jumper. Press and release the test button.                   | <input type="checkbox"/> Pass<br><input type="checkbox"/> Fail |          |
| Record the test results in the machine log, then perform the test procedure.   | <input type="checkbox"/> Pass<br><input type="checkbox"/> Fail |          |

Technician's Signature \_\_\_\_\_



## 17-2 Test procedure log

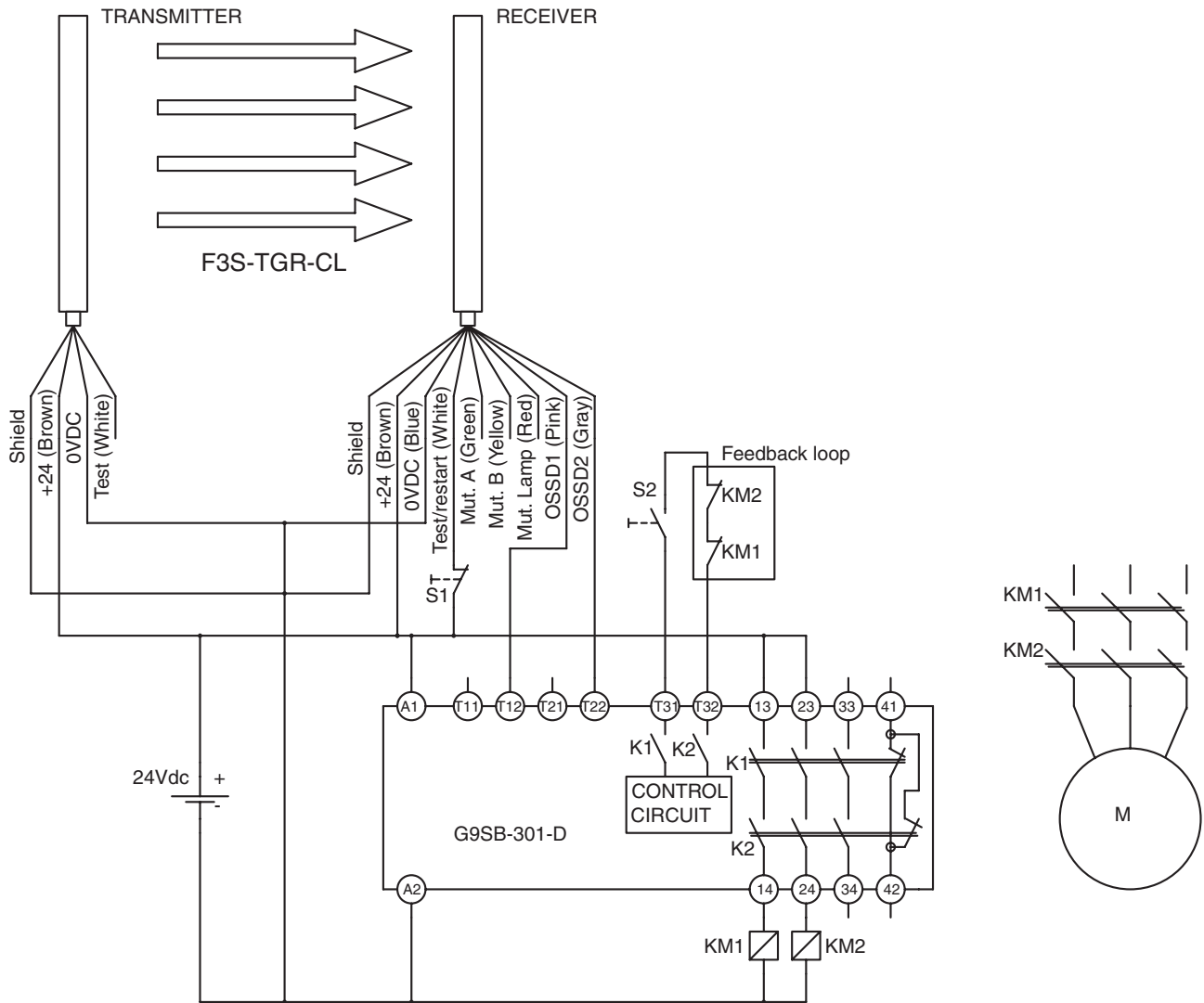
The following test procedure must be performed by qualified personnel during initial F3S-TGR-CL system installation, according to the employer's regular inspection program and after any maintenance, adjustment or modification to the F3S-TGR-CL system or the guarded machine. Testing ensures that the light curtain, safety system, and machine control system work together to properly stop the machine. Failure to test properly could result in serious injury to personnel. To test the F3S-TGR-CL system, use the correct size test object.

| Item   | Condition  | Comments |
|--|--|----------|
| Disable the guarded machine. Apply power to the F3S-TGR-CL system.   | <input type="checkbox"/> Pass<br><input type="checkbox"/> Fail |          |
| Visually inspect the machine to ensure that access to the danger point is only through the F3S-TGR-CL detection zone. If not, additional guarding, including mechanical barriers may be required. Verify that all additional guarding devices and barriers are installed and operating properly.   | <input type="checkbox"/> Pass<br><input type="checkbox"/> Fail |          |
| Verify that the mounting distance of the F3S-TGR-CL system is equal to or greater than the calculated minimum safety distance from the danger point. See the chapter "Safe Mounting Distances" on page 19 for further information. Ensure that the operator is not able to stand between the F3S-TGR-CL detection zone and the danger point.   | <input type="checkbox"/> Pass<br><input type="checkbox"/> Fail |          |
| Check for signs of external damage to the F3S-TGR-CL system, the machine and the electrical cables and wiring. If damage is found, lock the machine off and report to the supervisor.  | <input type="checkbox"/> Pass<br><input type="checkbox"/> Fail |          |
| Interrupt the F3S-TGR-CL system detection zone with the proper size test object. Move the test object inside the perimeter (along the top, sides and bottom) of the detection zone and up and down through the centre. At least one individual beam indicator must be lit while the test object is anywhere in the detection zone. If in automatic start mode, verify that the red BREAK led is lit. If in manual mode, verify that the red break and yellow INTERLOCK lights are on. Press and release restart button before proceeding to next step. | <input type="checkbox"/> Pass<br><input type="checkbox"/> Fail |          |
| Start the machine. While the machine is in motion, interrupt the detection zone with the test object. The machine should stop immediately. Never insert the test object into the dangerous parts of the machine. With the machine at rest, interrupt the detection zone with the test object. Verify that the machine will not start with the test object in the detection zone.   | <input type="checkbox"/> Pass<br><input type="checkbox"/> Fail |          |
| Verify that the braking system is working properly. If the machine does not stop fast enough, adjust the braking system or increase the distance from the detection zone to the danger point.  | <input type="checkbox"/> Pass<br><input type="checkbox"/> Fail |          |
| If the safety devices or the machine fails any of these tests, do not run the machine. Immediately tag or LOCKOUT the machine to prevent its use and notify the supervisor.  | <input type="checkbox"/> Pass<br><input type="checkbox"/> Fail |          |

Technician's Signature \_\_\_\_\_

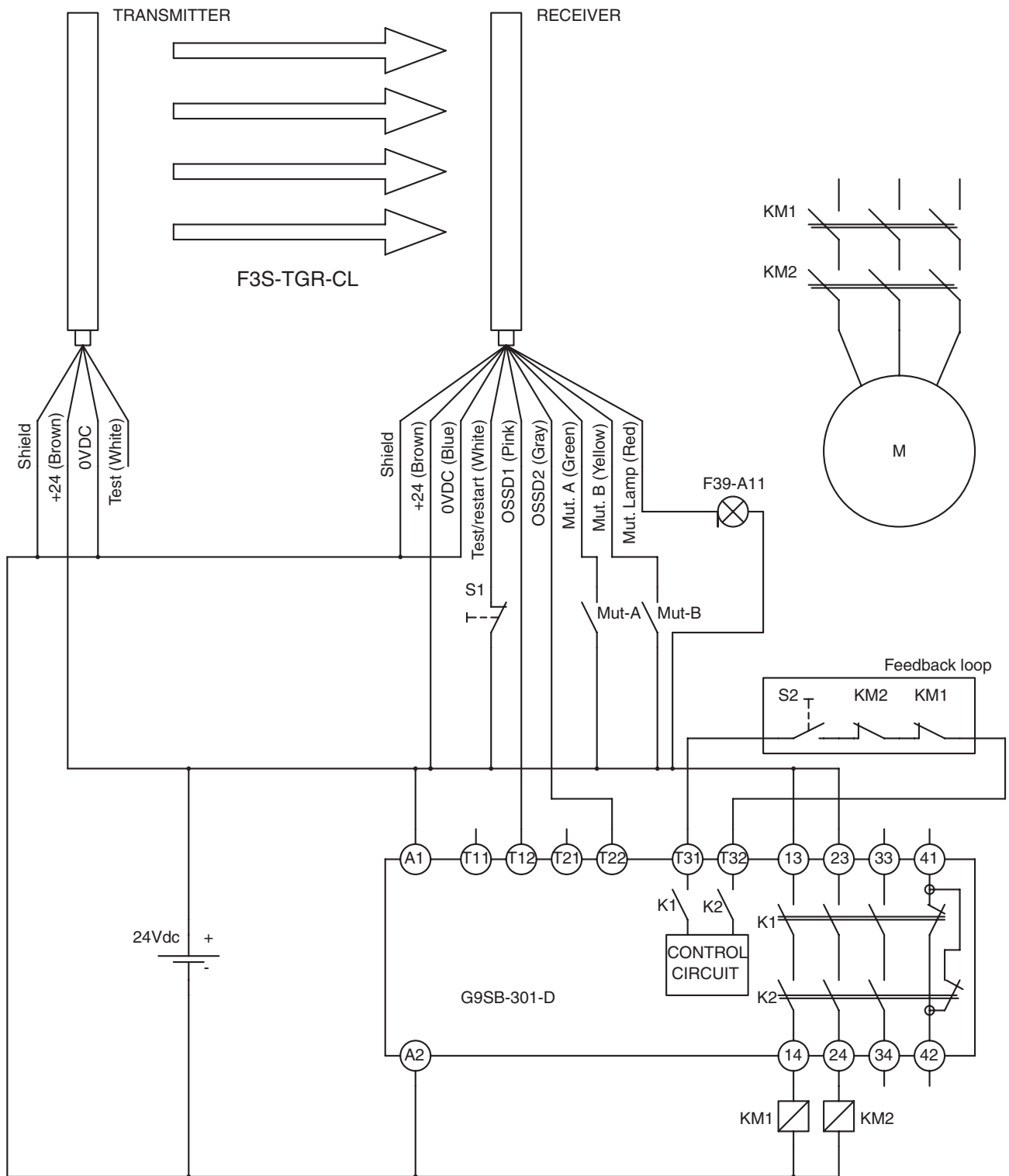
### 17-3 Wiring examples

#### 17-3-1 F3S-TGR-CL and GSB-301-D in manual reset



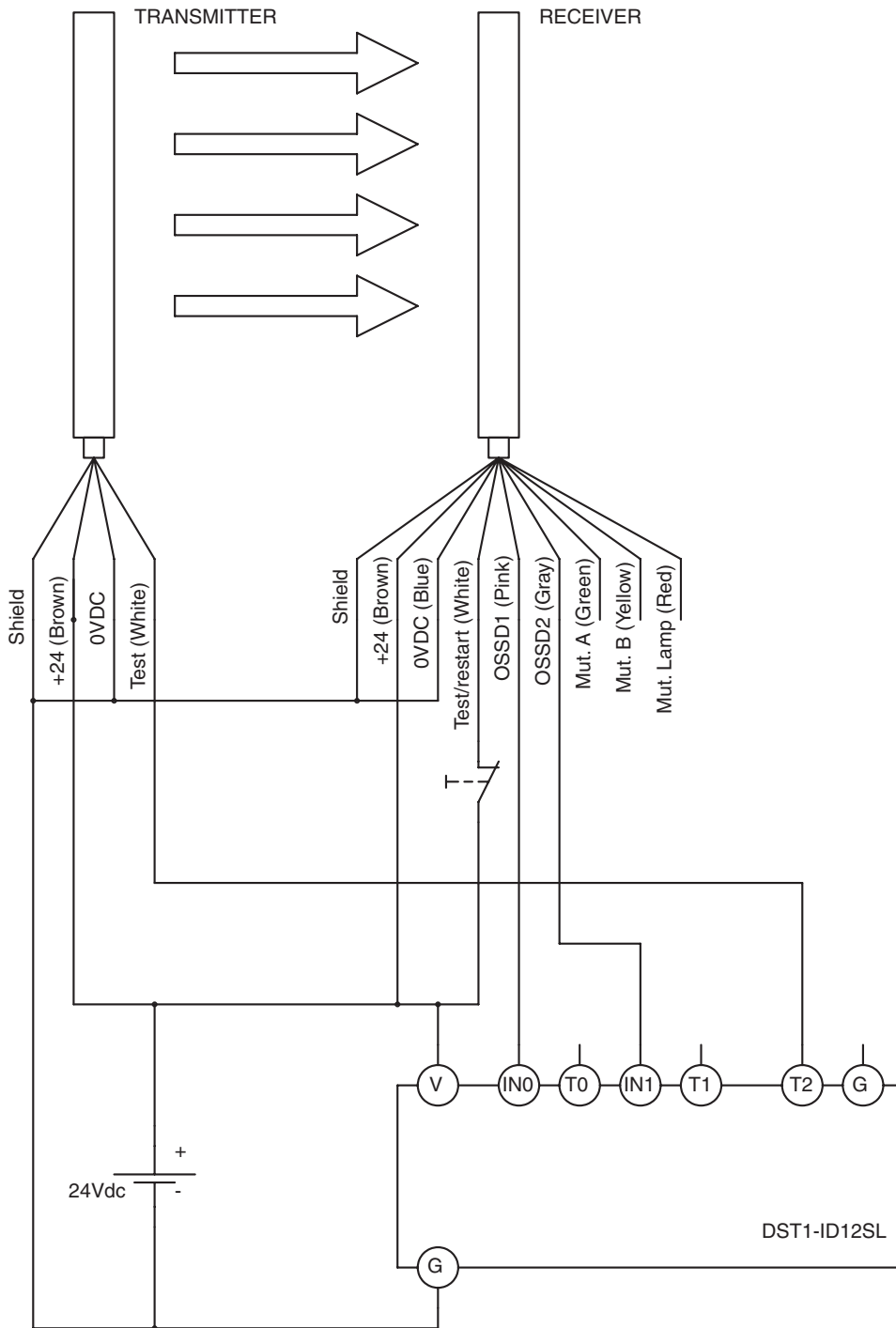
**Note** This circuit achieves up to a Safety Category 4 according to EN 954-1.

### 17-3-2 F3S-TGR-CL and G9SB-301-D in manual reset and Muting connection



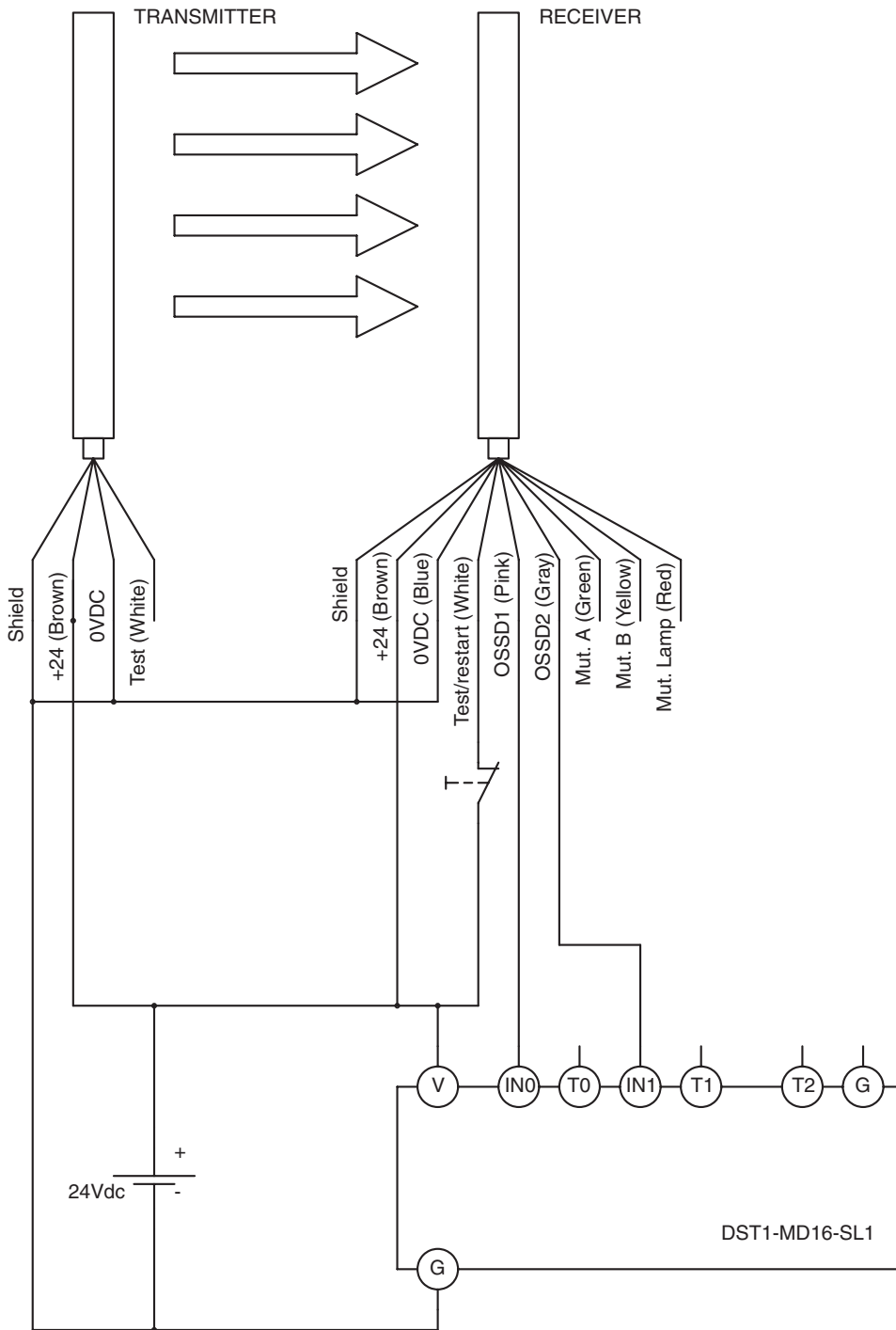
**Note** This circuit achieves up to a Safety Category 4 according to EN 954-1.

### 17-3-3 F3S-TGR-CL in combination with DST1-ID12SL1



**Note** This circuit achieves up to a Safety Category 4 according to EN 954-1.

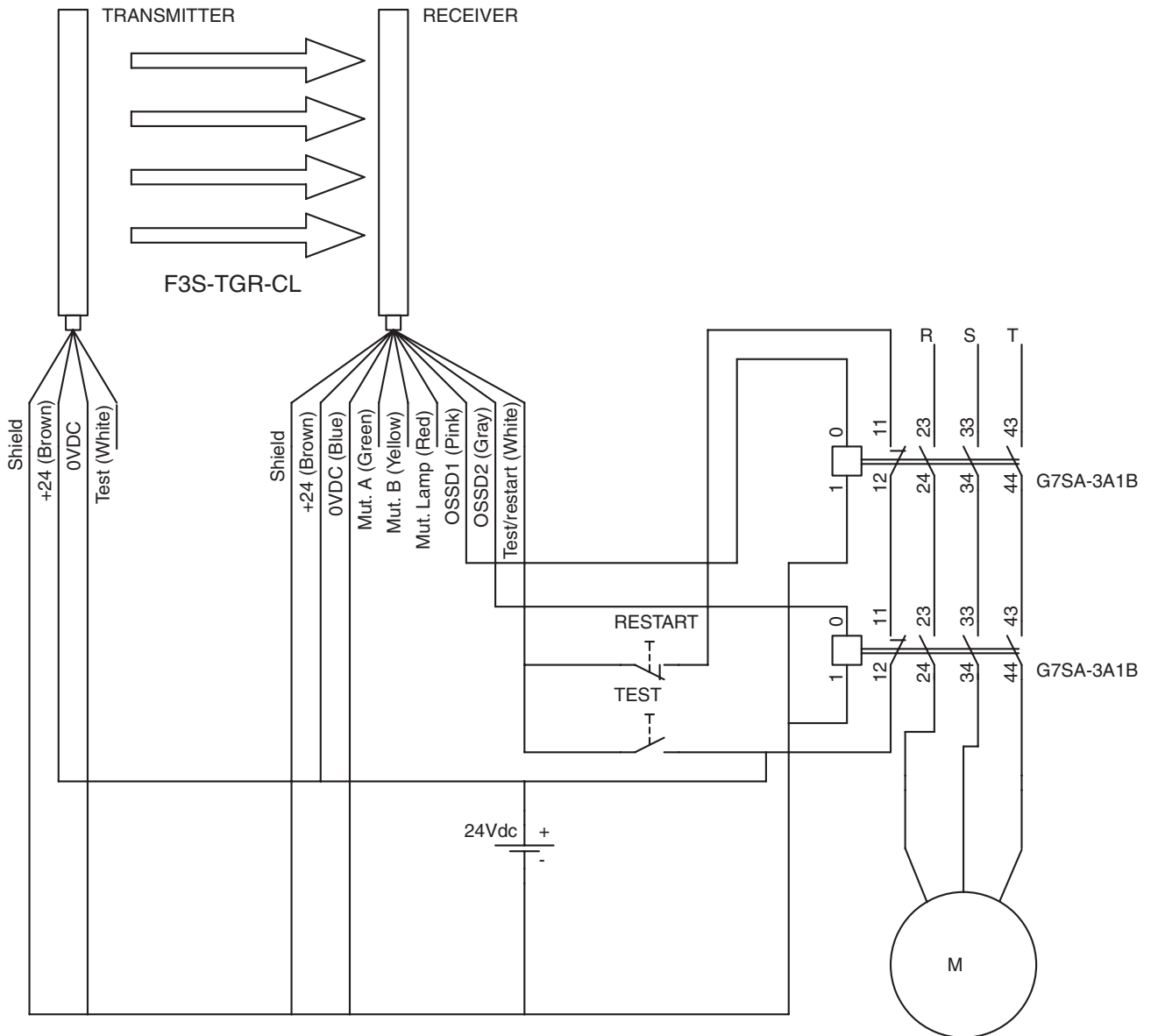
17-3-4 F3S-TGR-CL with DST1-MD16-SL1



**Note** This circuit achieves up to a Safety Category 4 according to EN 954-1.

**Note** This circuit achieves up to a Safety Category 4 according to EN 954-1.

17-3-5 F3S-TGR-CL and G7SA-3A1B and EDM function

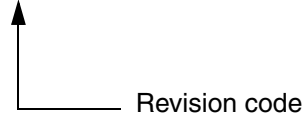


**Note** This circuit achieves up to a Safety Category 4 according to EN 954-1.

## Revision history

A manual revision code appears as a suffix to the catalog number on the front cover of the manual.

Cat. No. F05E-EN-02



The following table outlines the changes made to the manual during each revision. Page numbers refer to the previous version.

| Revision code | Date         | Revised content     |
|---------------|--------------|---------------------|
| 01            | January 2009 | Original production |
| 02            | June 2009    | Revision            |